

# TOSCANO SZERELÉSI ÚTMUTATÓ



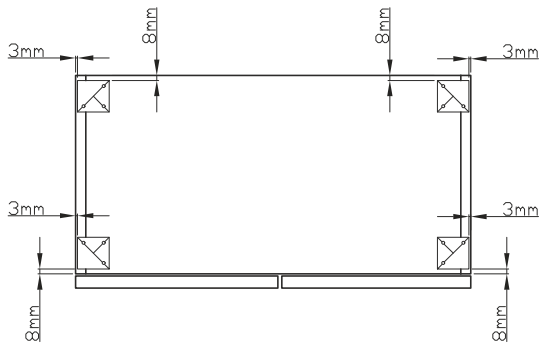
# TARTALOMJEGYZÉK

---

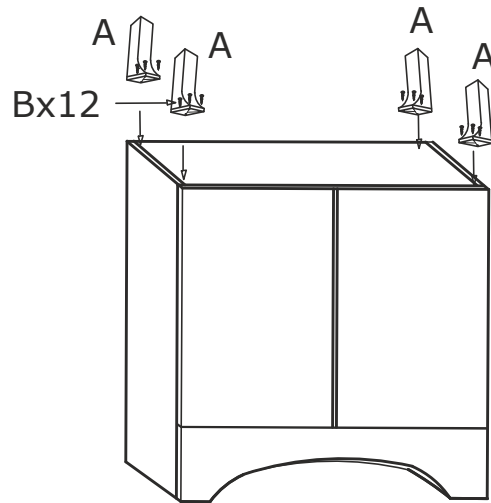
839	03
862	04
809	05
800+810 LED/DR	06
803+811 LED/DR	08
811 LED/DR	10
806+812 LED/DR	11
864+812 LED/DR	13
900LED	15
906LED	16
821	17

839	839/94	839/95	839/96	839/97	839/98	839/99
-----	--------	--------	--------	--------	--------	--------

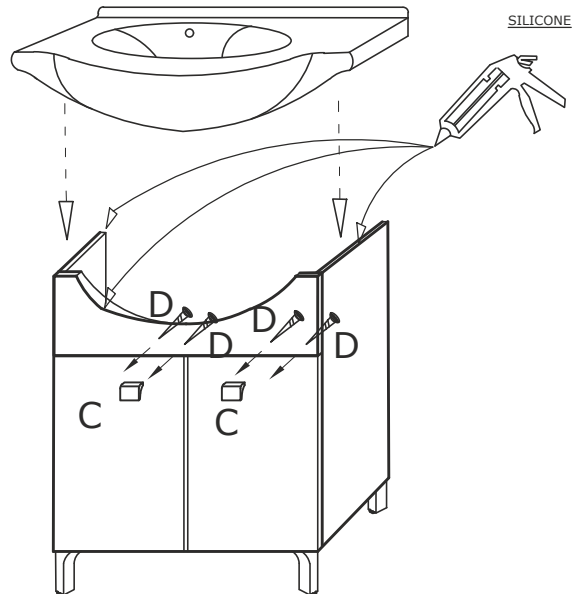
1.









2.



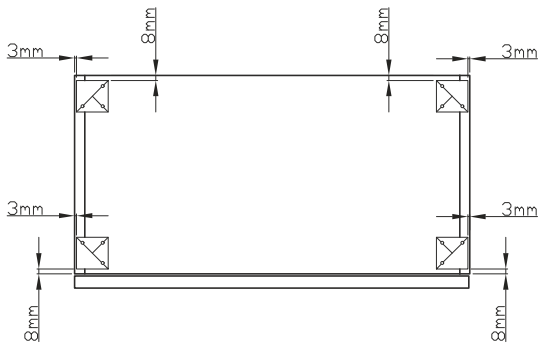
3.



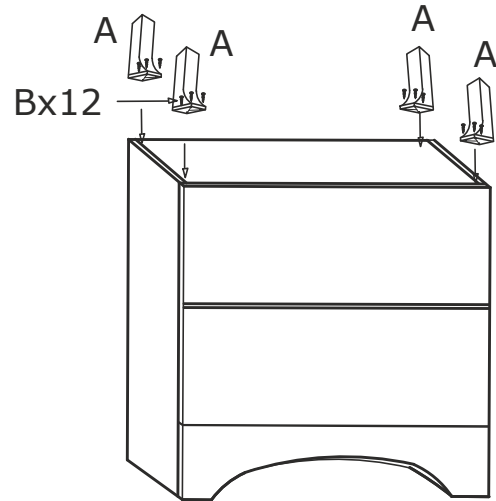
 A x 4	 3.2X19 B x 12	 C x 2	 4.2X25 D x 4			
--	---	--	--	--	---	---

862	862/94	862/95	862/96	862/97	862/98	862/99
-----	--------	--------	--------	--------	--------	--------

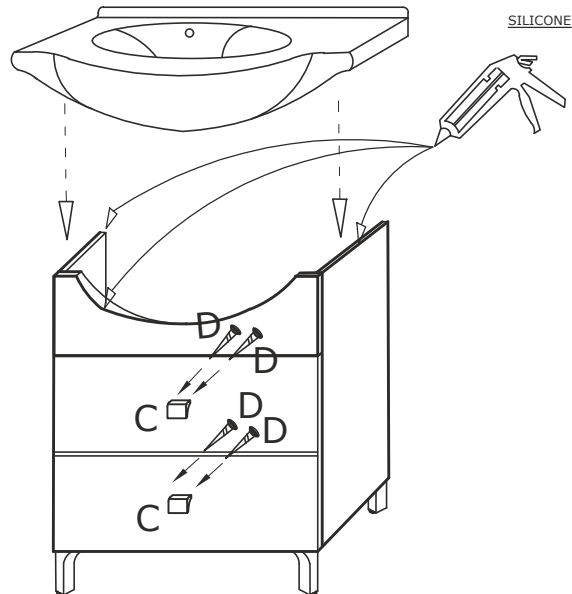
**1.**


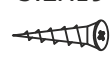


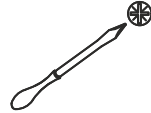



**2.**



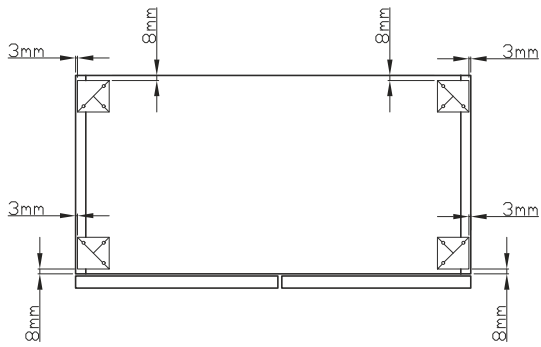
**3.**



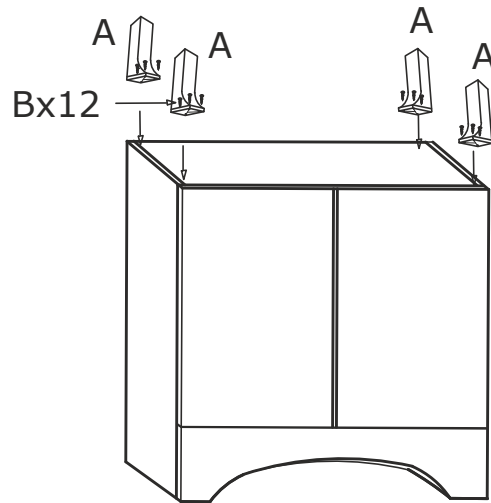
 A x 4	 3.2X19 Bx12	 C x 2	 4.2X25 D x 4			
--	---	--	--	--	---	---

809	809/94	809/95	809/96	809/97	809/98	809/99
-----	--------	--------	--------	--------	--------	--------

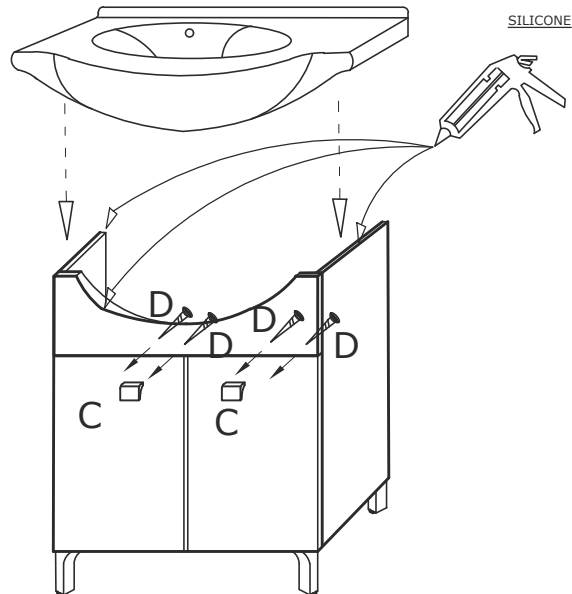
1.


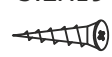


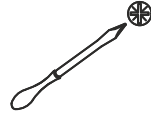



2.



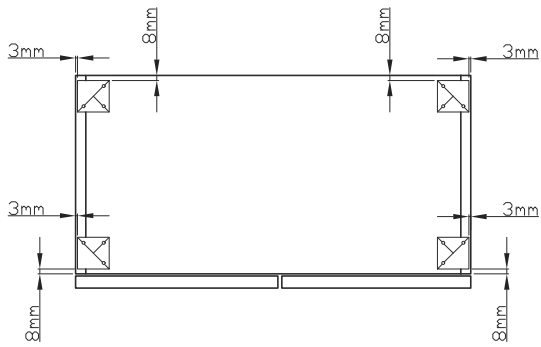
3.



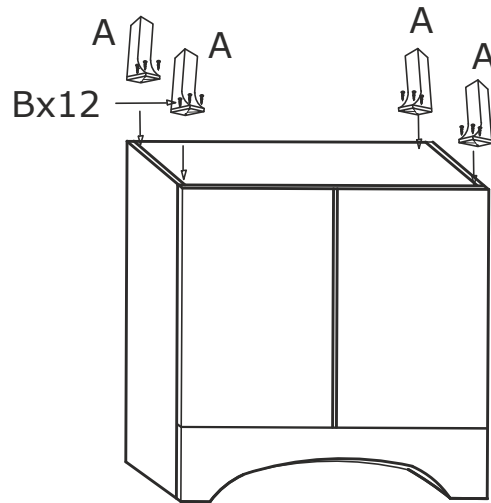
 A x 4	 3.2X19 Bx12	 C x 2	 4.2X25 D x 4			
--	---	--	--	--	---	---

800 + 810 LED/DR

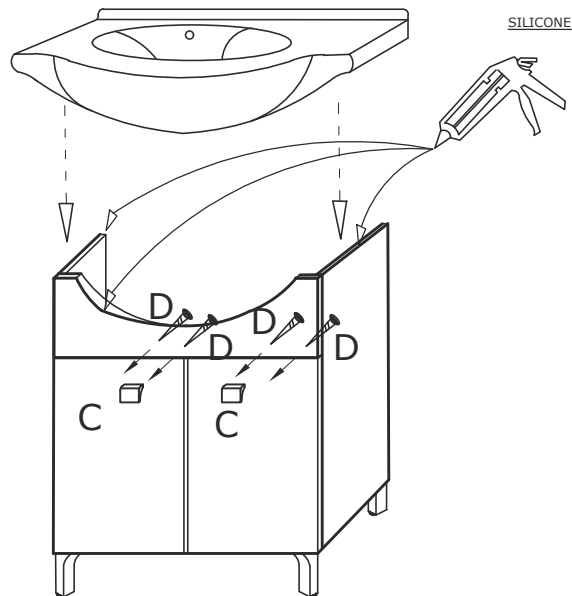
1.





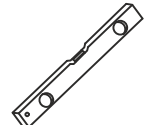
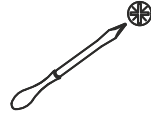



2.

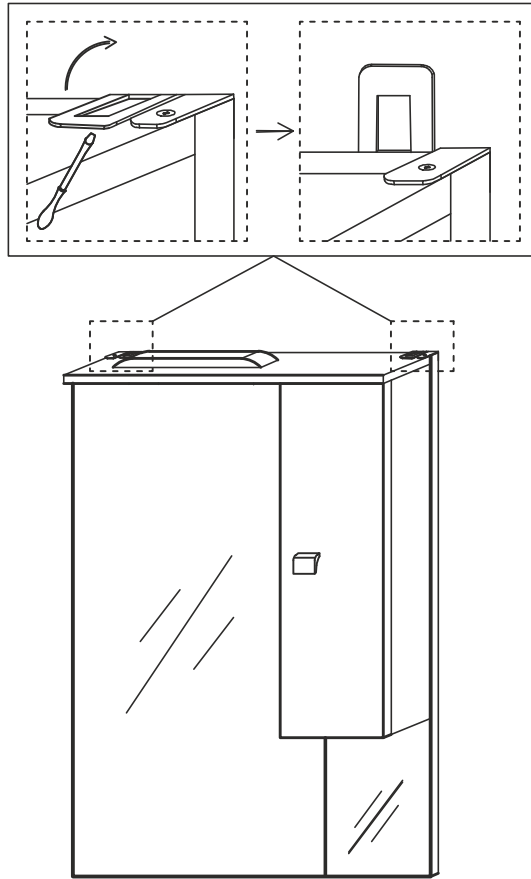


3.

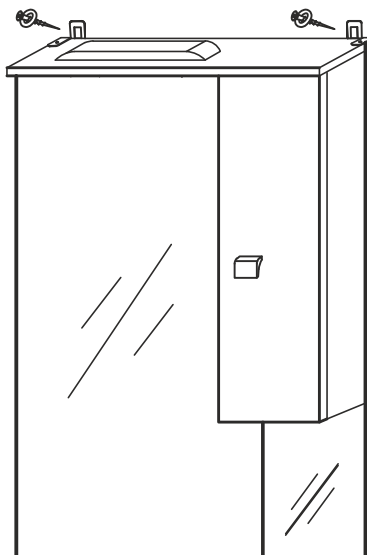



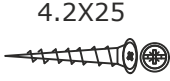
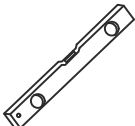
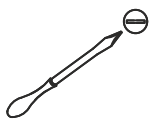

 A x 4	 3.2X19 Bx12	 C x 2	 4.2X25 D x 4			
--	---	--	--	--	---	---

4.



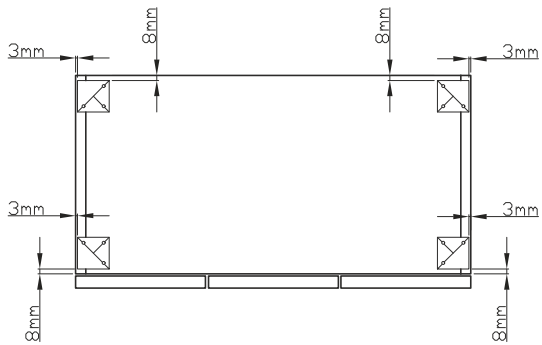
5.



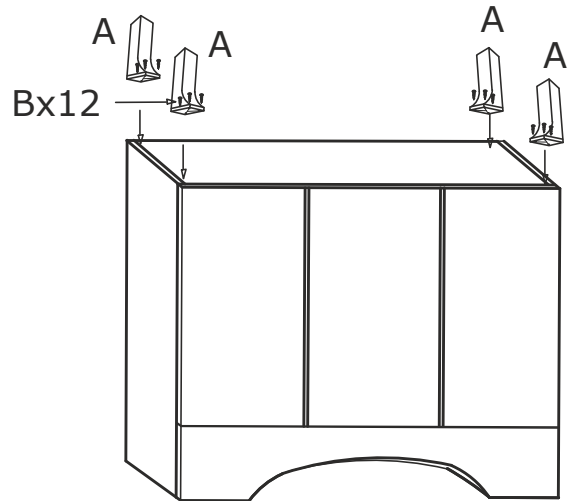
 C x 1	 4.2X25 D x 2			
--	--	---	--	---

# 803 + 811 LED/DR

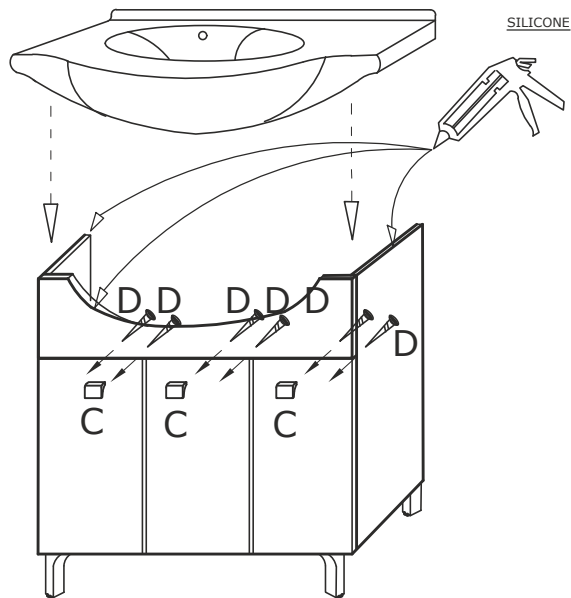
1.





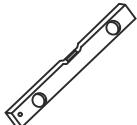
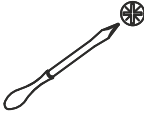



2.



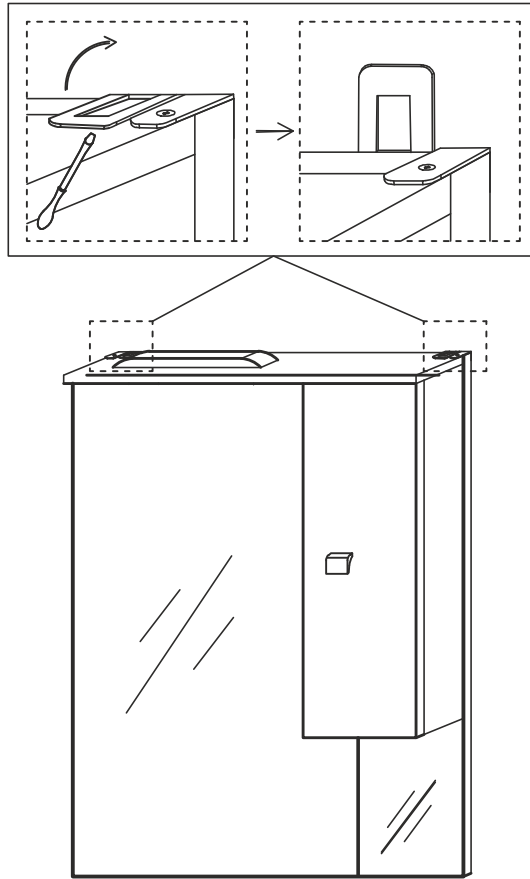
3.



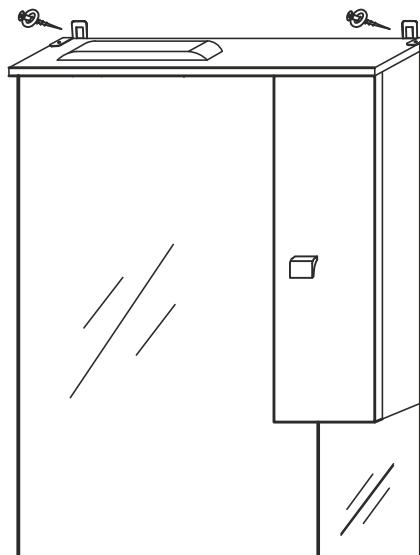
 A x 4	 3.2X19 B x 12	 C x 3	 4.2X25 D x 6			
--	---	--	--	--	---	---



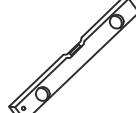




3.



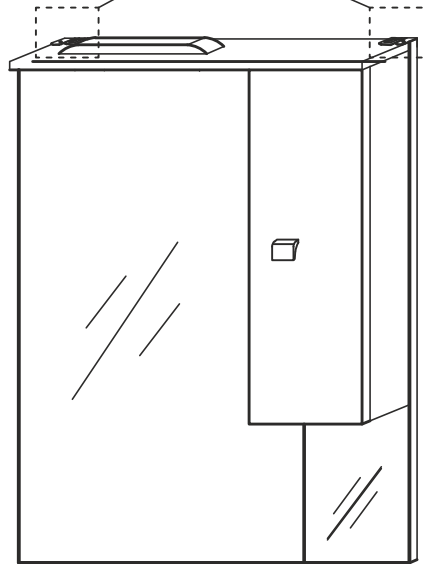
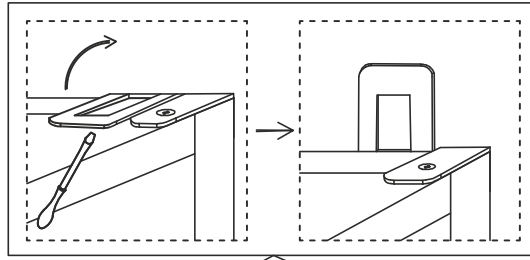
4.



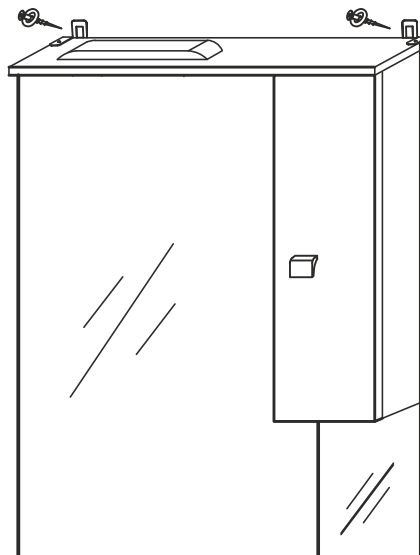
 C x 1	 4.2X25 D x 2			
--	--	---	--	---



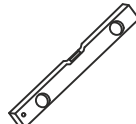
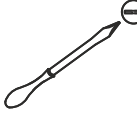

811 LED/DR

4.



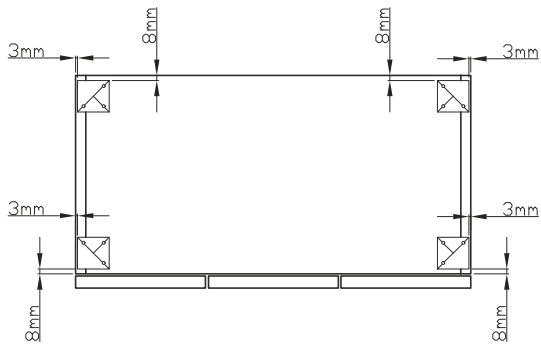
5.



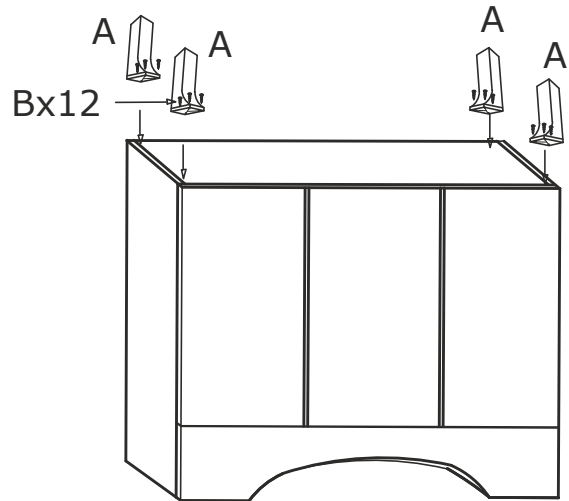
 C x 1	 4.2X25 D x 2			
--	--	---	--	---

# 806 + 812 LED/DR

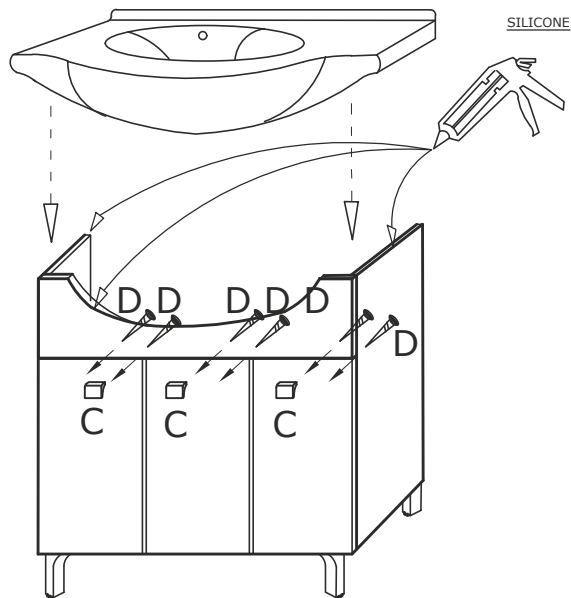
1.





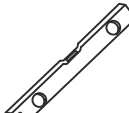




2.

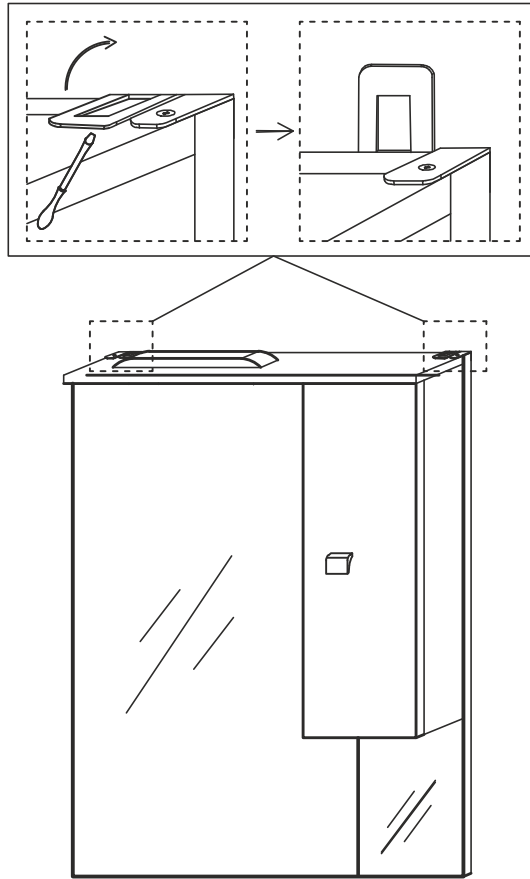


3.

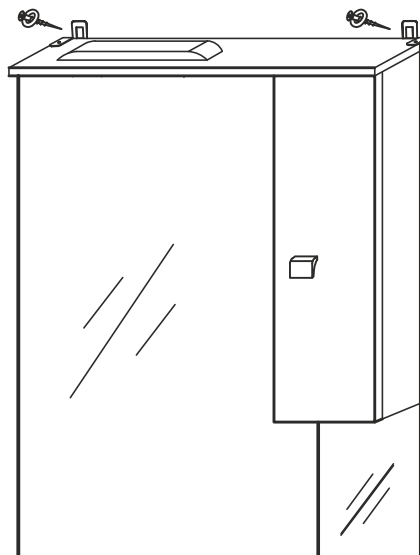




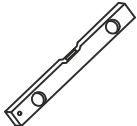
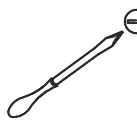

 A x 4	 3.2X19 Bx12	 C x 3	 4.2X25 D x 6			
--	---	--	--	--	---	---

4.



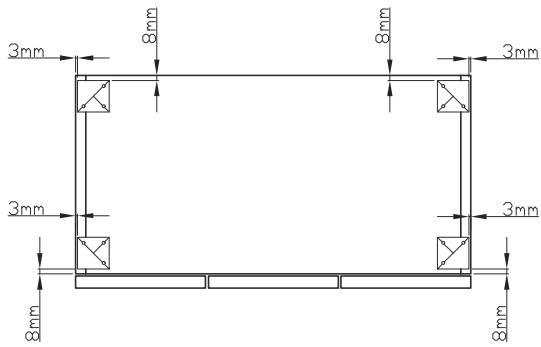
5.



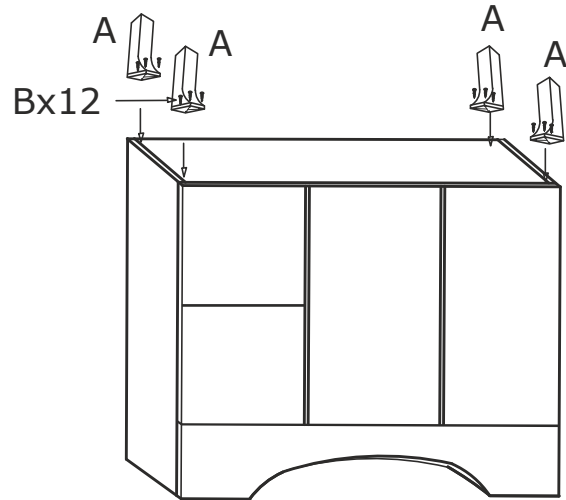
 C x 1	 4.2X25 D x 2			
--	--	---	--	---

# 864 + 812 LED/DR

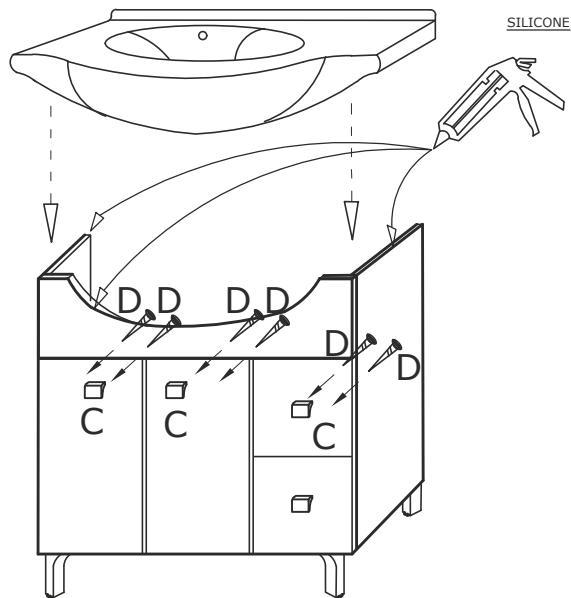
1.





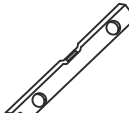




2.

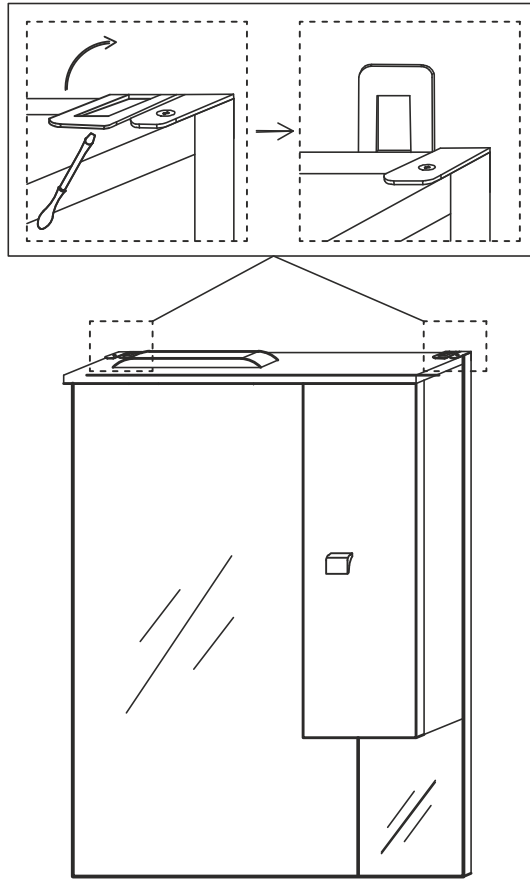


3.

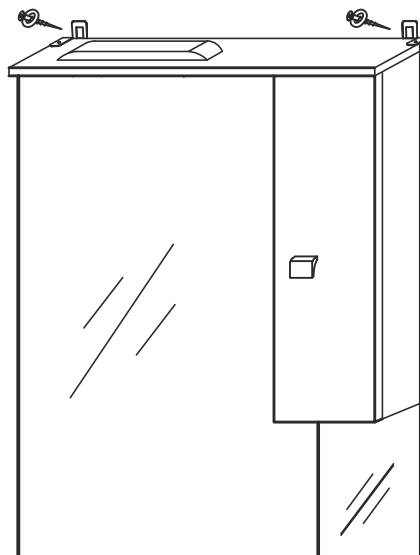




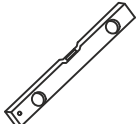
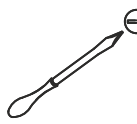

 A x 4	 3.2X19 B x 12	 C x 4	 4.2X25 D x 8			
--	---	--	--	--	---	---

4.



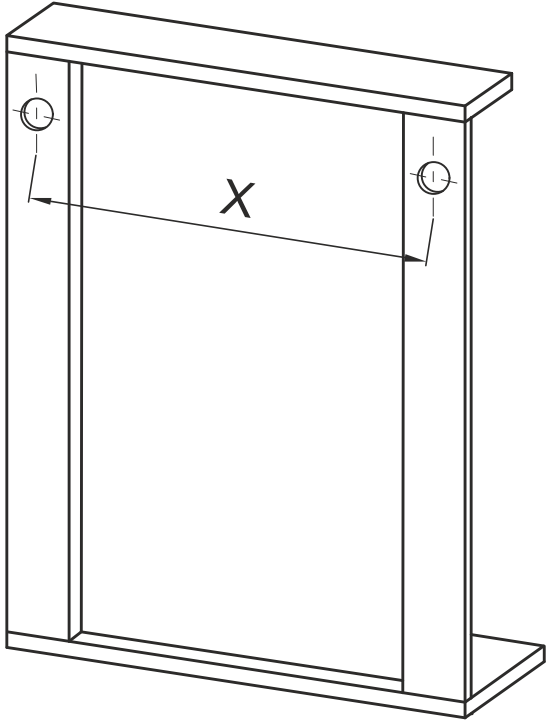
5.



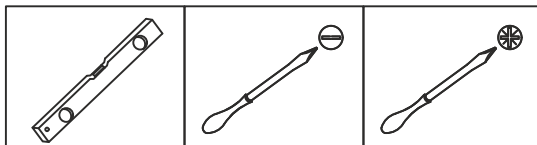
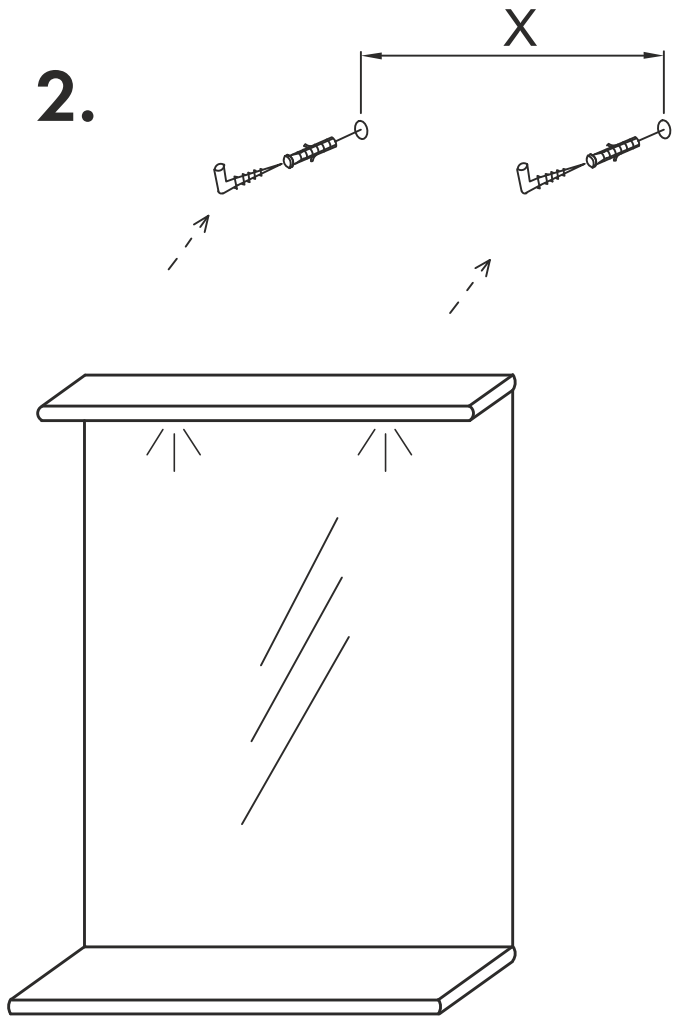
 C x 1	 4.2X25 D x 2			
--	--	---	--	---

900LED

1.

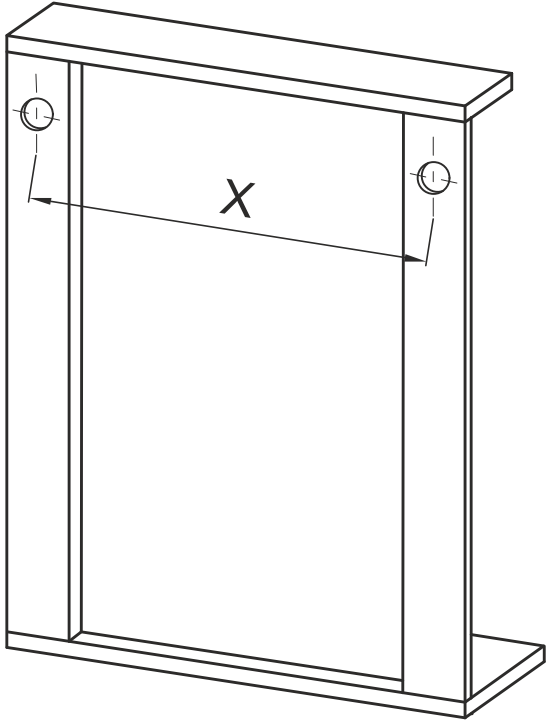


2.

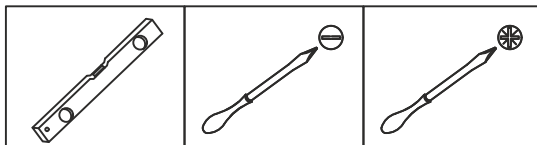
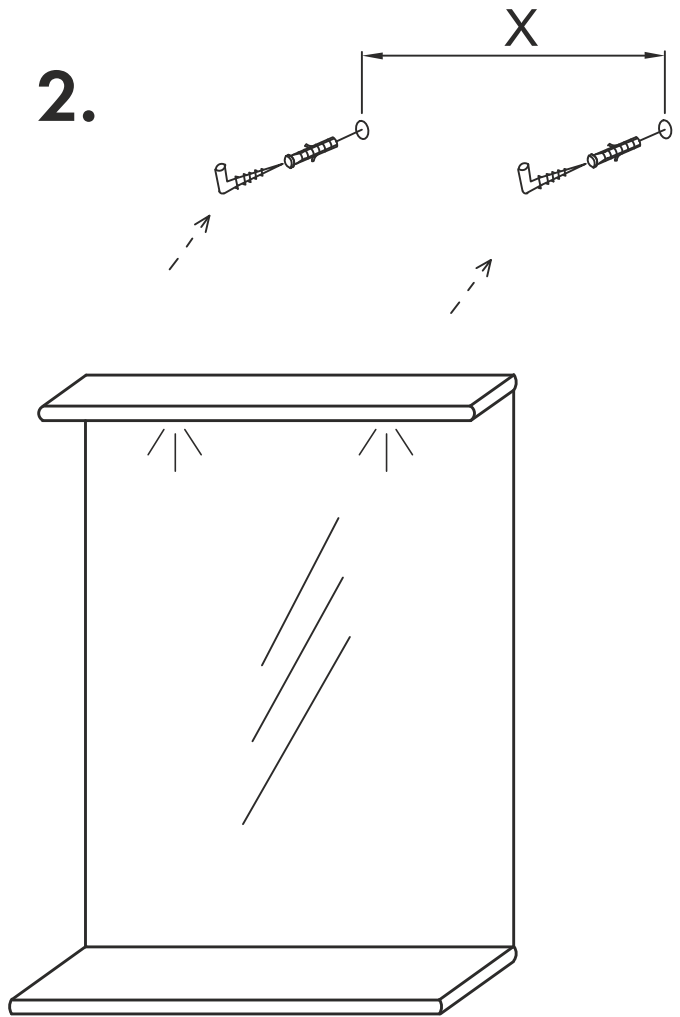


906LED

1.

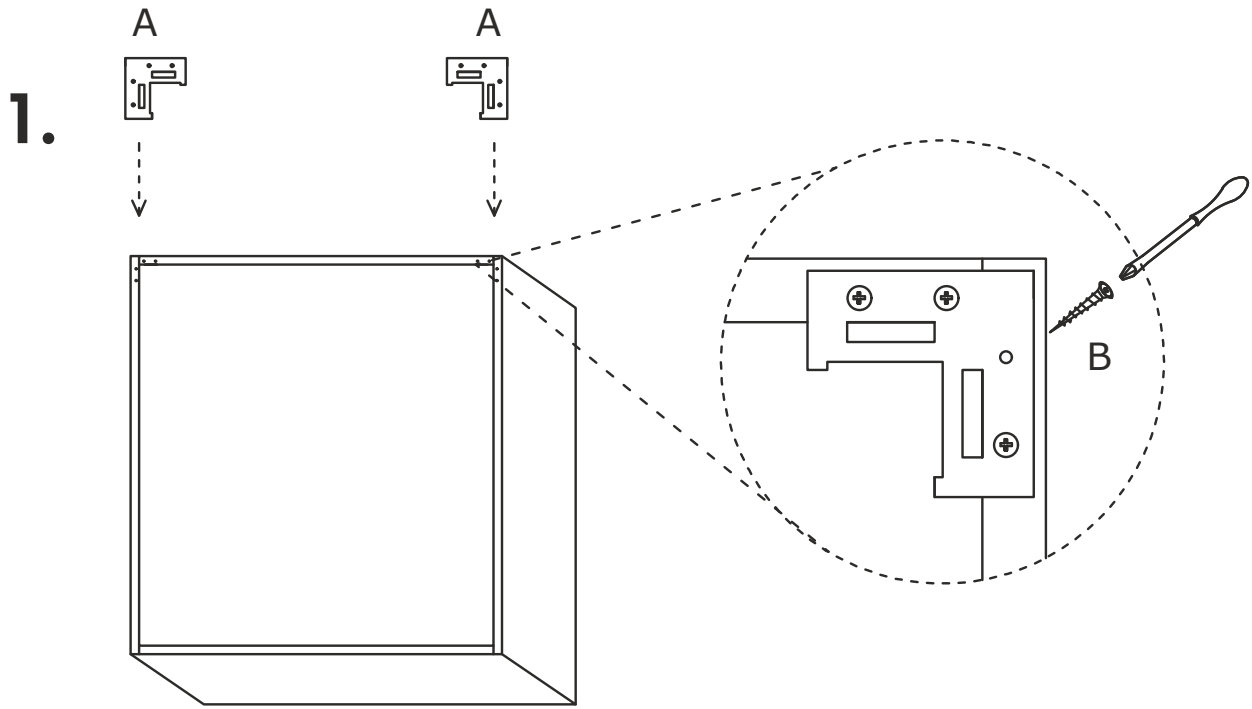


2.

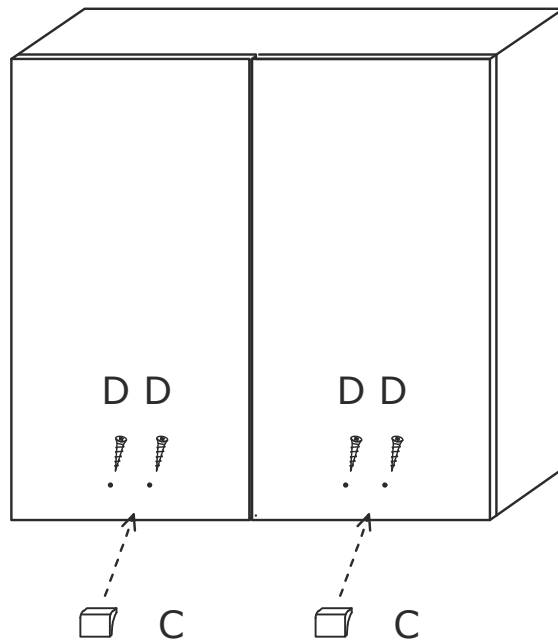









821



**2.**



 A x 2	 B x 8	 C x 2	 D x 4	
--	--	--	---	---