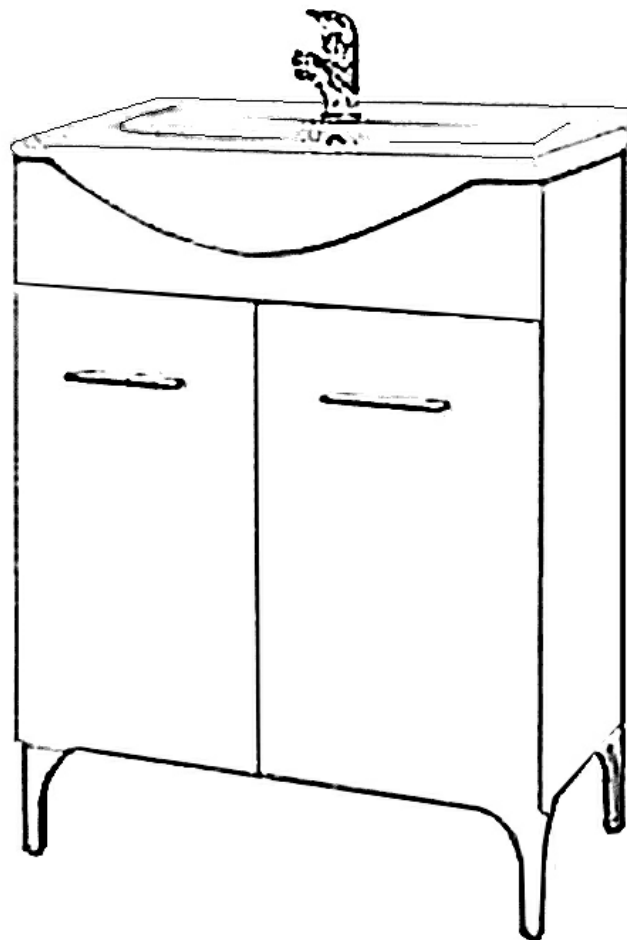
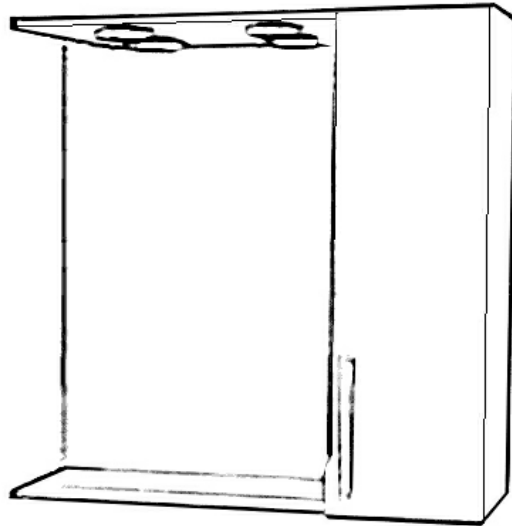


RUBEN SZERELÉSI ÚTMUTATÓ



ART.

P.

4X01 - - - - -	04
(4101, 4201, 4301, 4401)	
4X03 - - - - -	05
(4103, 4203, 4303, 4403)	
4X05 - - - - -	06
(4105, 4205, 4305, 4405)	
4X10 - - - - -	07
(4110, 4210, 4310, 4410)	
4X11 - - - - -	08
(4111, 4211, 4311, 4411)	
4X15 - - - - -	09
(4115, 4215, 4315, 4415)	
4X16 - - - - -	10
(4116, 4216, 4316, 4416)	
4X20/EL - - - - -	11
(4120/EL, 4220/EL, 4320/EL, 4420/EL)	
4X22/EL - - - - -	12
(4122/EL, 4222/EL, 4322/EL, 4422/EL)	
4X23/EL - - - - -	13
(4123D/EL, 4223D/EL, 4323D/EL, 4423D/EL, 4123S/EL, 4223S/EL, 4323S/EL, 4423S/EL)	
4X24/EL - - - - -	14
(4124D/EL, 4224D/EL, 4324D/EL, 4424D/EL, 4124S/EL, 4224S/EL, 4324S/EL, 4424S/EL)	
4X25/EL - - - - -	15
(4125D/EL, 4225D/EL, 4325D/EL, 4425D/EL, 4125S/EL, 4225S/EL, 4325S/EL, 4425S/EL)	

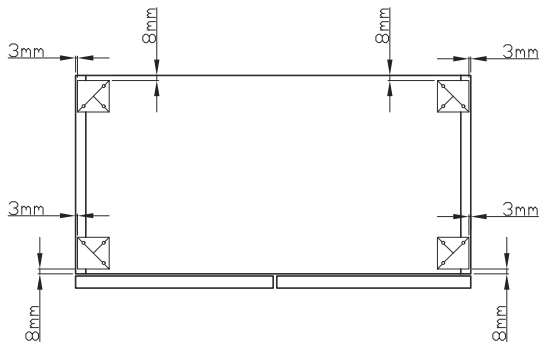
ART.

P.

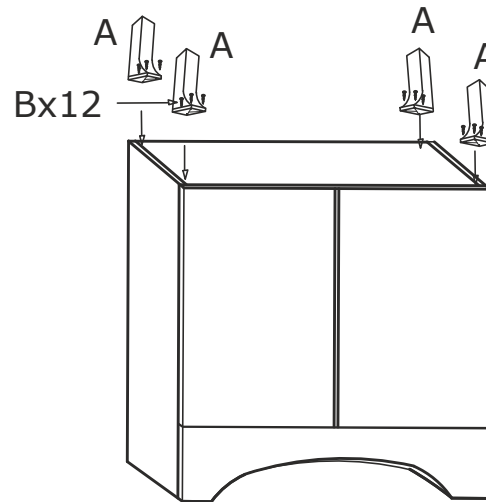
4X30 - - - - -	16
(4130D, 4230D, 4330D, 4430D, 4130S, 4230S, 4330S, 4430S)	
4X33 - - - - -	17
(4133, 4233, 4333, 4433)	
4X35 - - - - -	18
(4135D, 4235D, 4335D, 4435D, 4135S, 4235S, 4335S, 4435S)	
4X36 - - - - -	19
(4136D, 4236D, 4336D, 4436D, 4136S, 4236S, 4336S, 4436S)	
4X38 - - - - -	20
(4138, 4238, 4338, 4438)	
4X40 - - - - -	21
(4140D, 4240D, 4340D, 4440D, 4140S, 4240S, 4340S, 4440S)	
4X43 - - - - -	22
(4143, 4243, 4343, 4443)	
4X45 - - - - -	23
(4145D, 4245D, 4345D, 4445D, 4145S, 4245S, 4345S, 4445S)	
4X47 - - - - -	24
(4147, 4247, 4347, 447)	

4101	4201	4301	4401
------	------	------	------

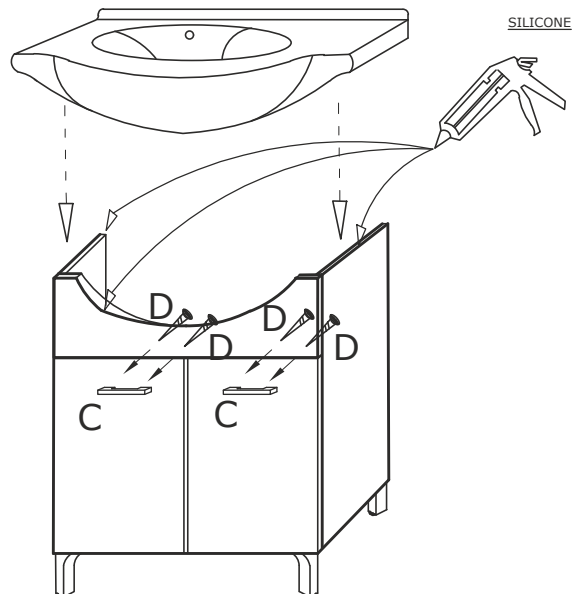
1.





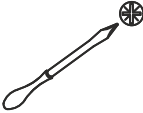



2.



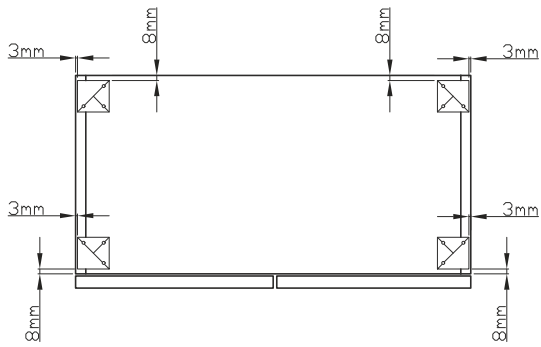
3.



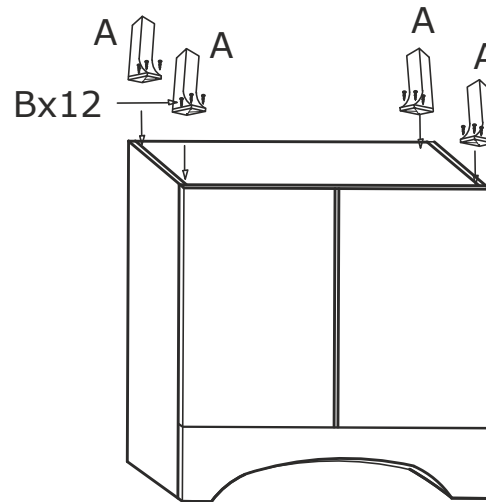
 A x 4	 3.2X19 B x 12	 C x 2	 4.2X25 D x 4			
--	---	--	--	--	---	---

4103	4203	4303	4403
------	------	------	------

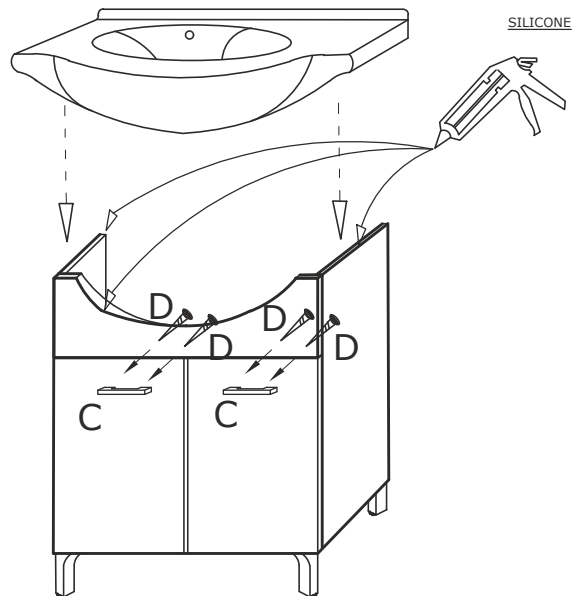
1.





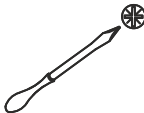



2.



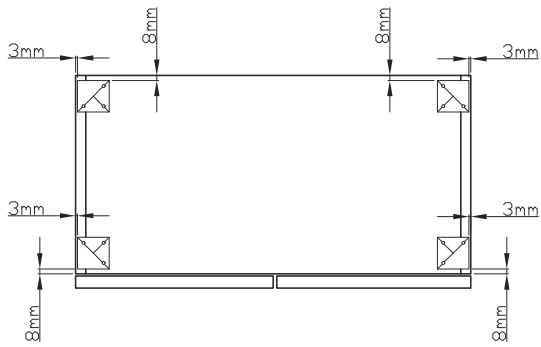
3.



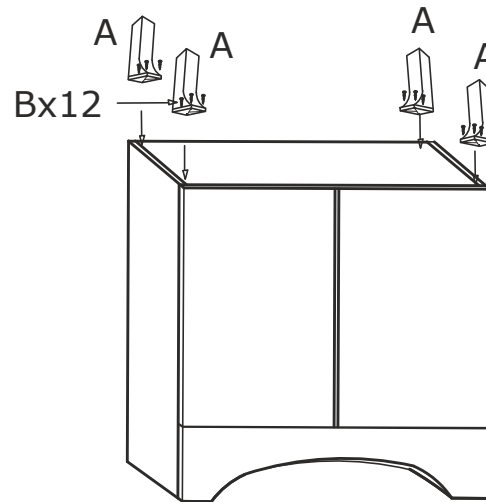
 A x 4	 3.2X19 Bx12	 C x 2	 4.2X25 D x 4			
--	---	--	--	--	---	---

4105	4205	4305	4405
------	------	------	------

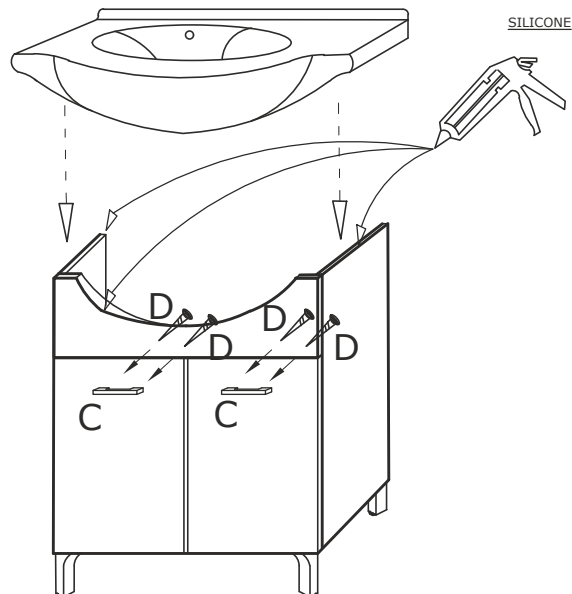
1.





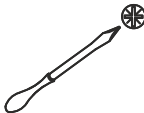



2.



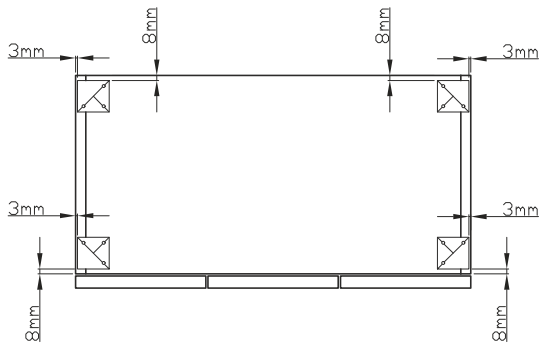
3.



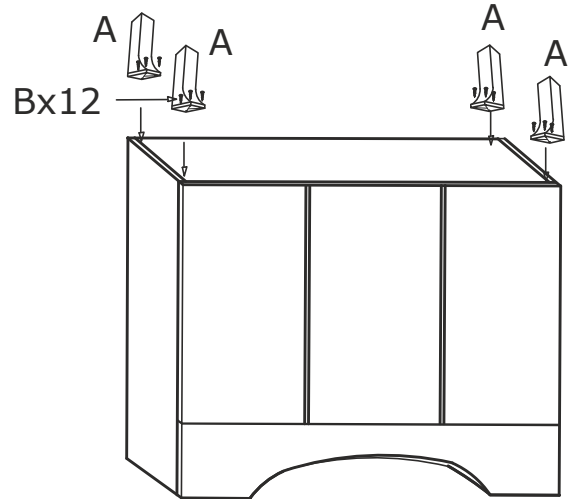
 A x 4	 3.2X19 Bx12	 C x 2	 4.2X25 D x 4			
--	---	--	--	--	---	---

4110	4210	4310	4410
------	------	------	------

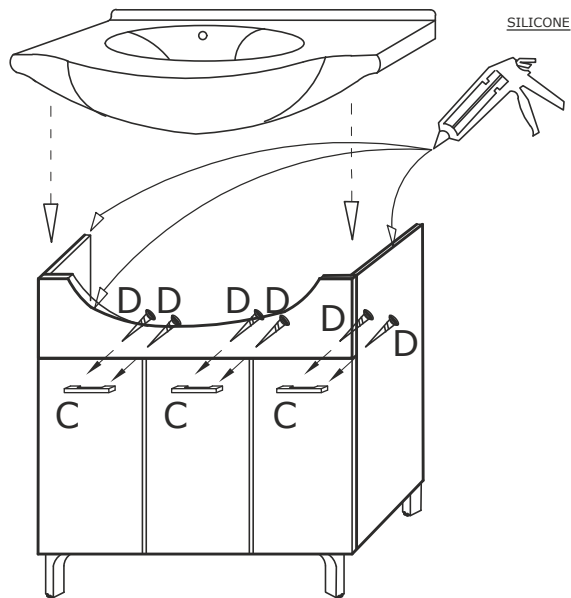
1.





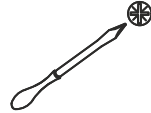



2.



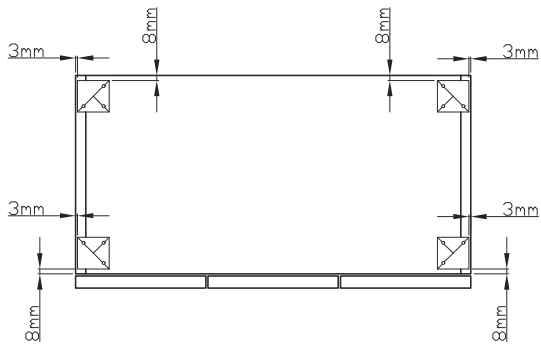
3.



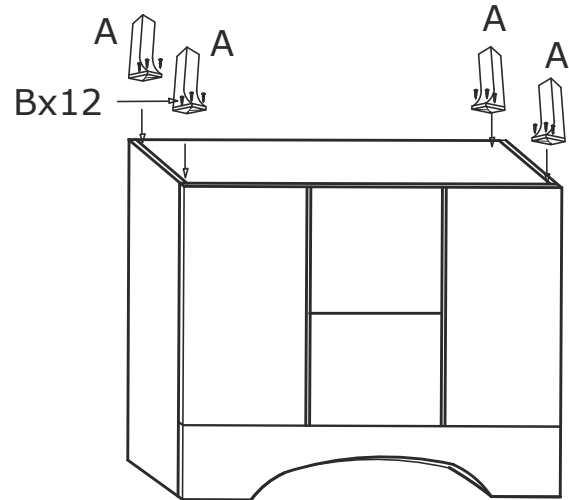
 A x 4	 3.2X19 Bx12	 C x 3	 4.2X25 D x 6			
--	---	--	--	--	---	---

4111	4211	4311	4411
------	------	------	------

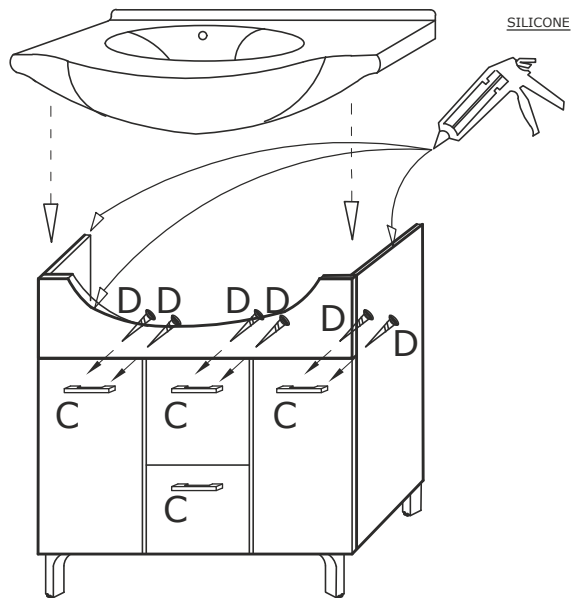
1.





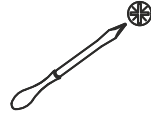



2.



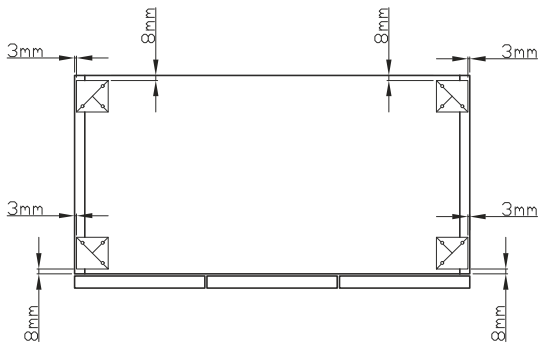
3.



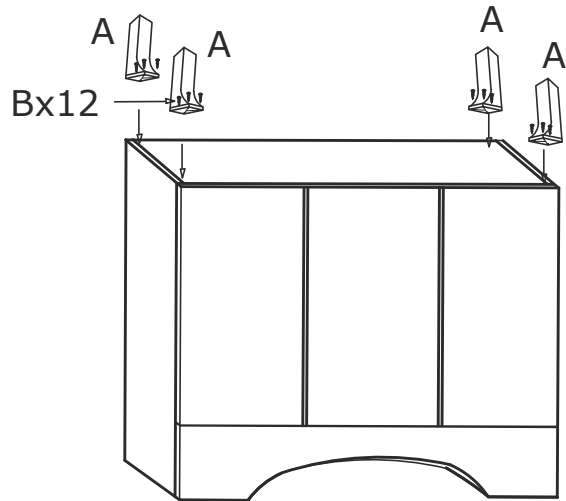
 A x 4	 3.2X19 Bx12	 C x 4	 4.2X25 D x 8		
--	---	--	--	---	---

4115	4215	4315	4415
------	------	------	------

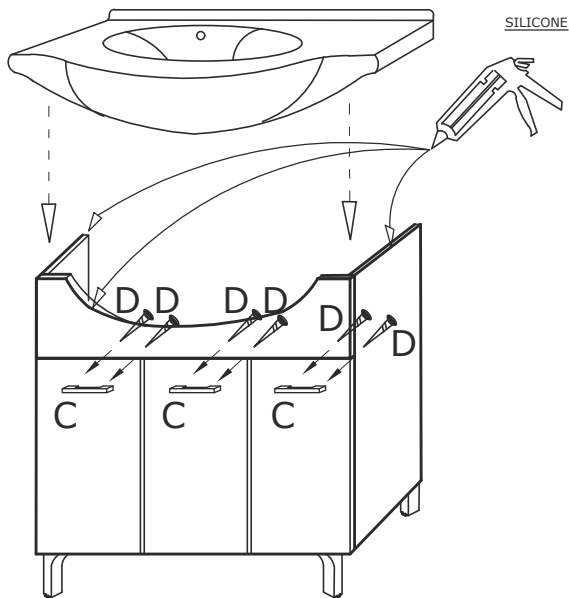
1.





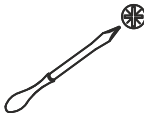



2.



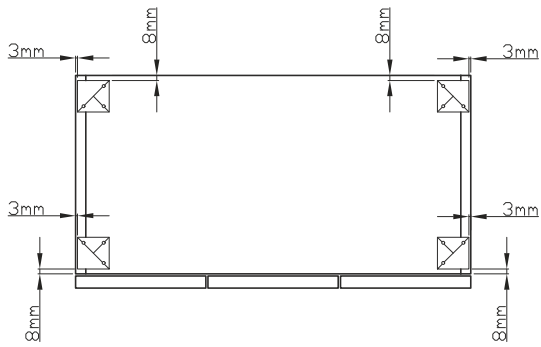
3.



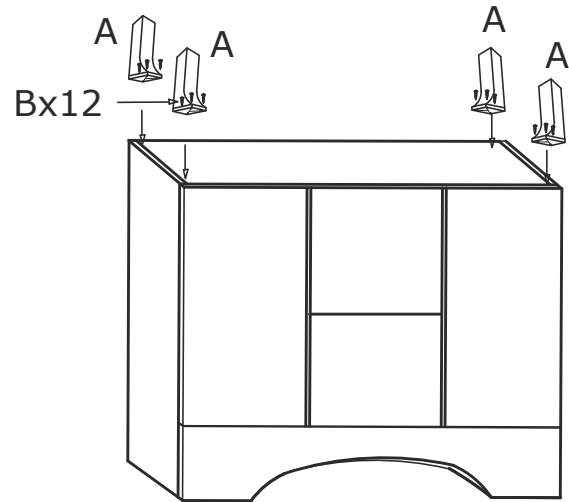
 A x 4	 3.2X19 B x 12	 C x 3	 4.2X25 D x 6			
--	---	--	--	--	---	---

4116	4216	4316	4416
------	------	------	------

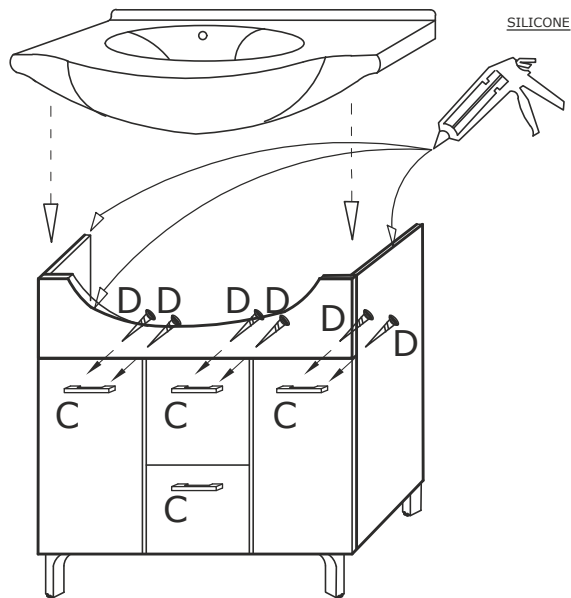
1.









2.

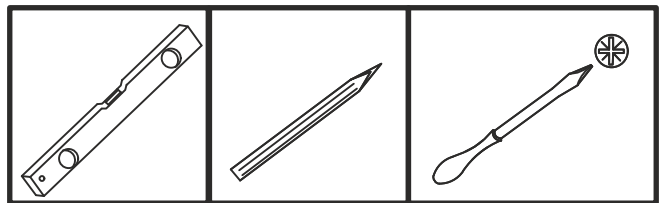
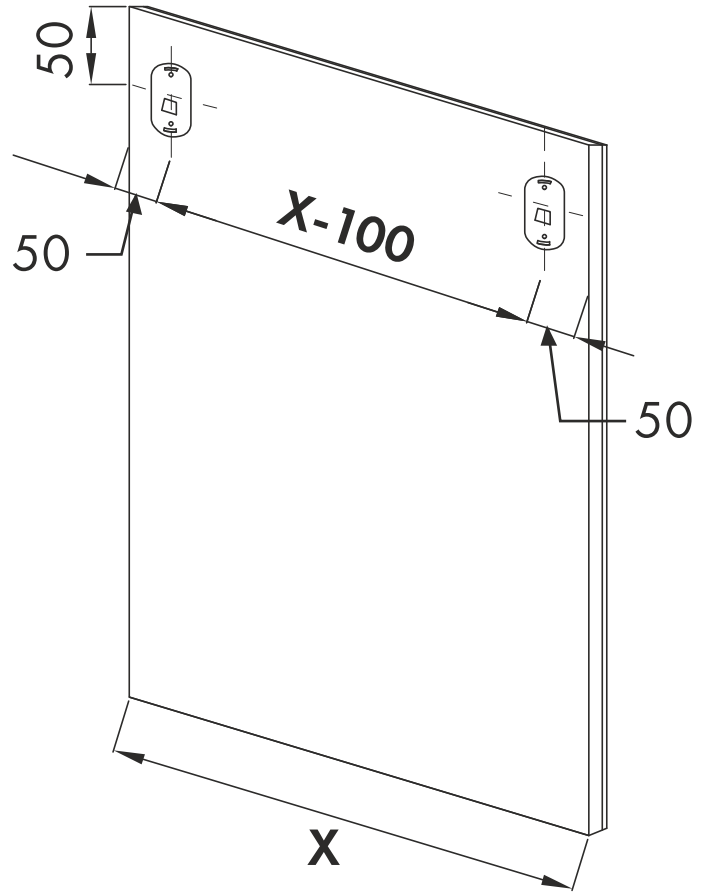
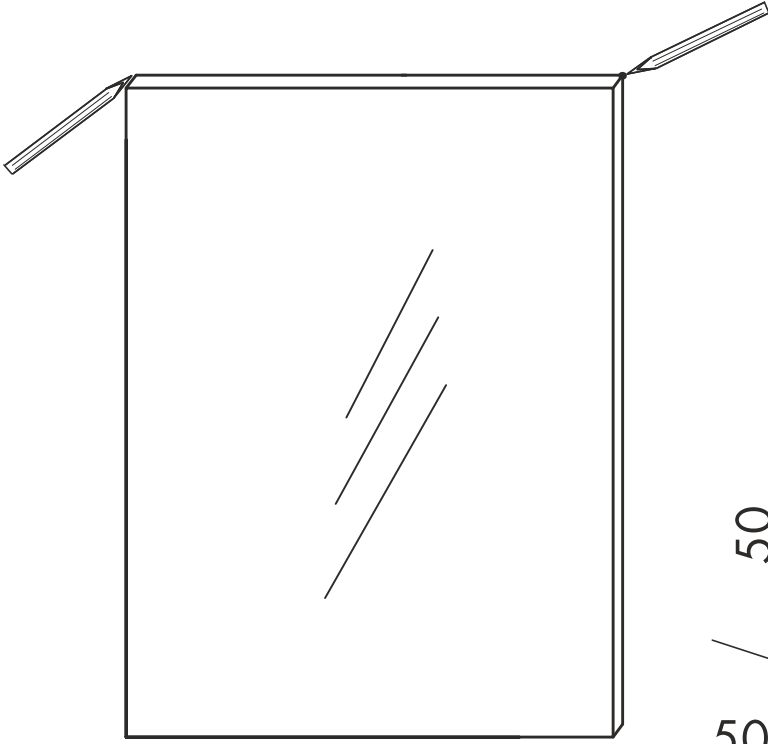


3.

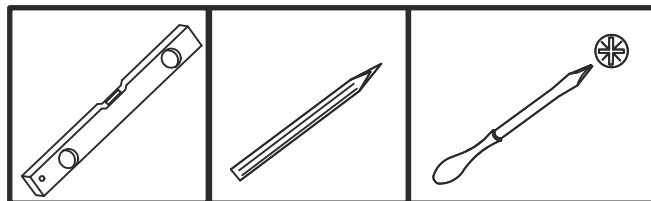
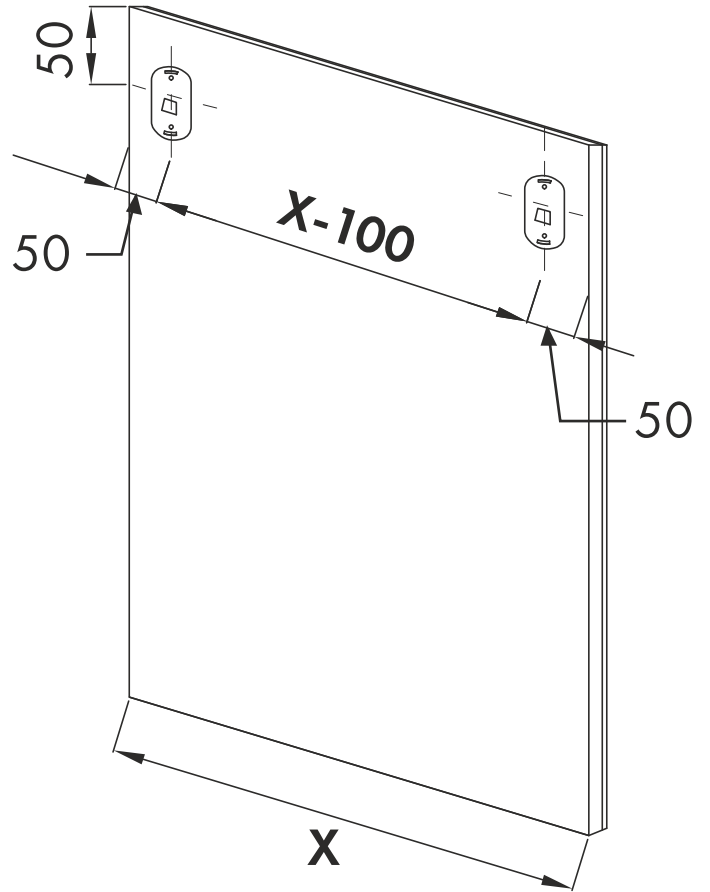
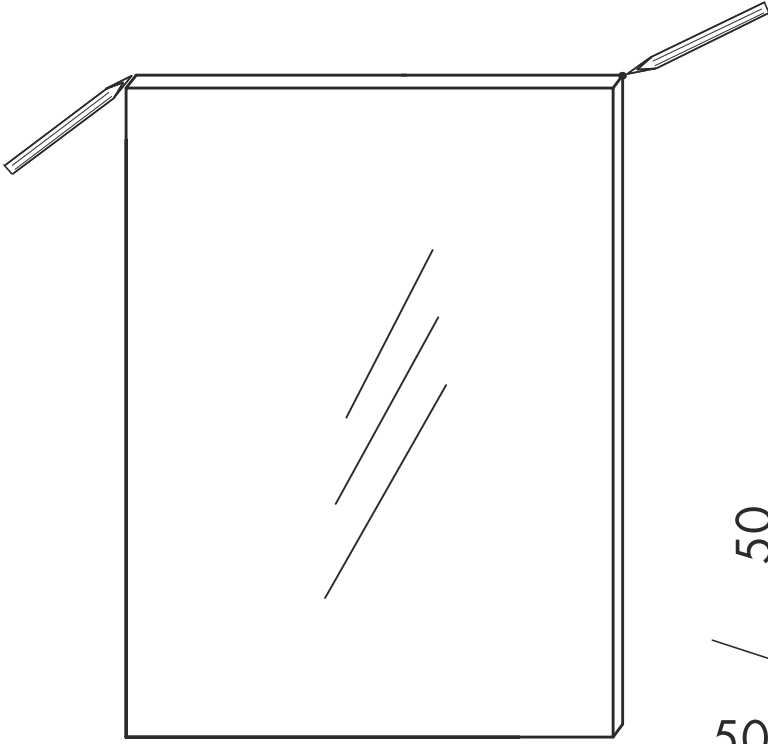


 A x 4	 3.2X19 B x 12	 C x 4	 4.2X25 D x 8			
--	---	--	--	--	---	---

4120/EL	4220/EL	4320/EL	4420/EL
---------	---------	---------	---------

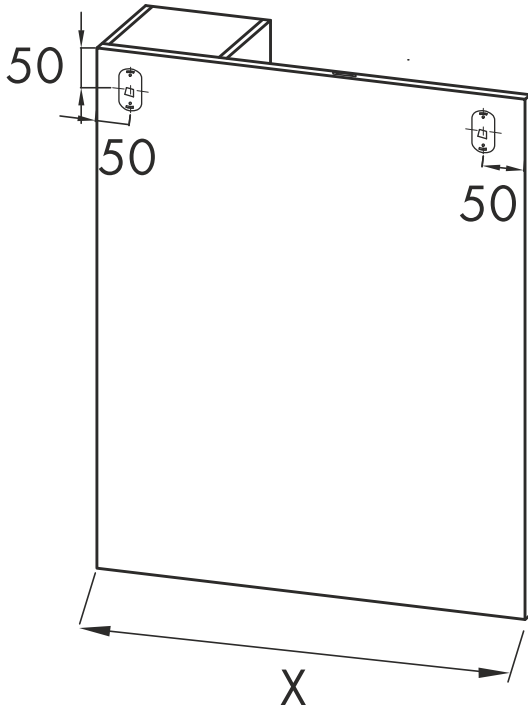


4122/EL	4222/EL	4322/EL	4422/EL
---------	---------	---------	---------

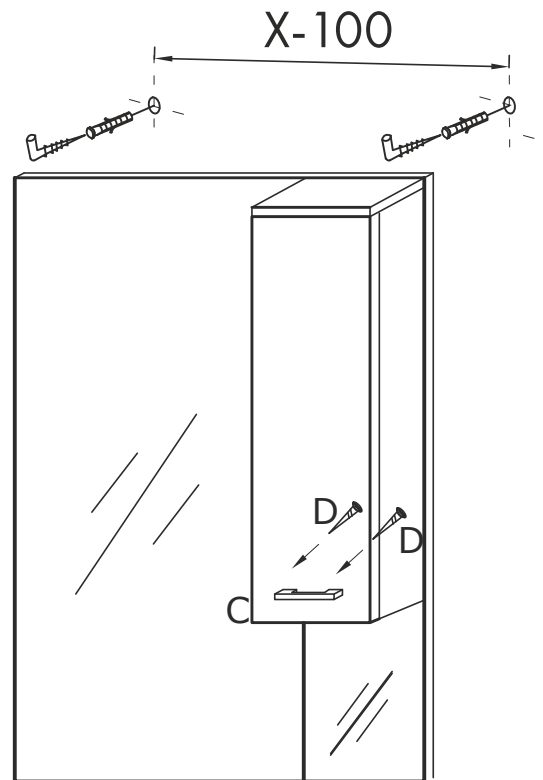


4123D/EL	4223D/EL	4323D/EL	4423D/EL
4123S/EL	4223S/EL	4323S/EL	4423S/EL

1.



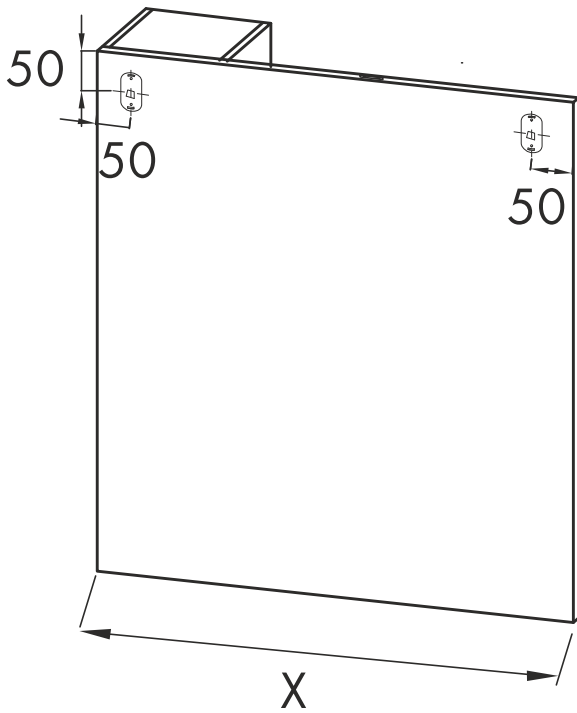
2.



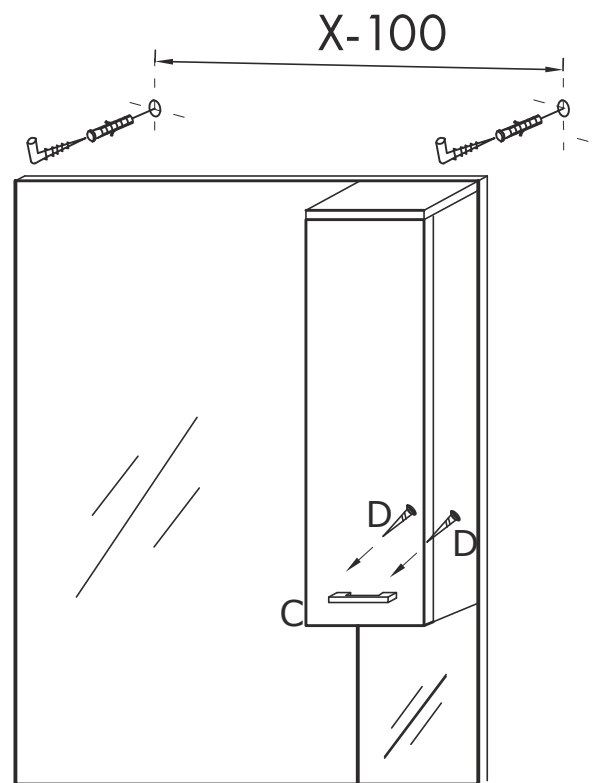
 C x 1	 4.2X25 D x 2	 E x 1	 F x 1
-----------	---------------------	-----------	-----------

4124D/EL	4224D/EL	4324D/EL	4424D/EL
4124S/EL	4224S/EL	4324S/EL	4424S/EL

1.



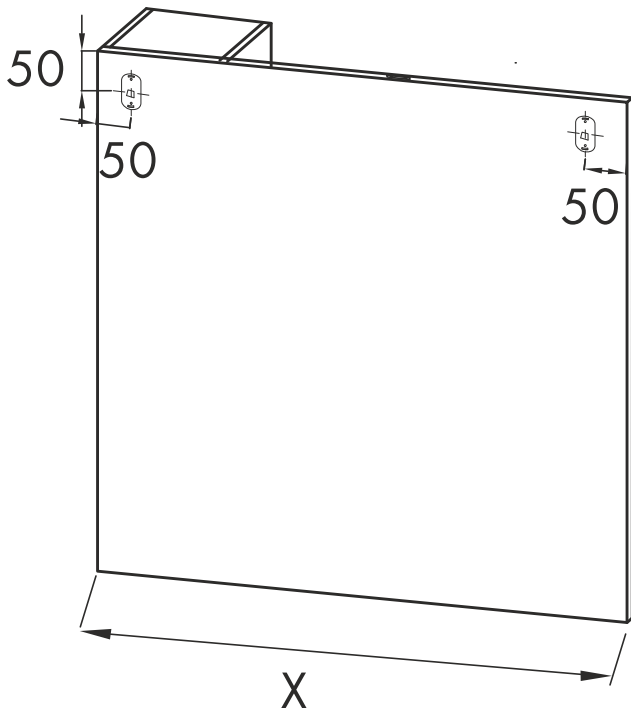
2.



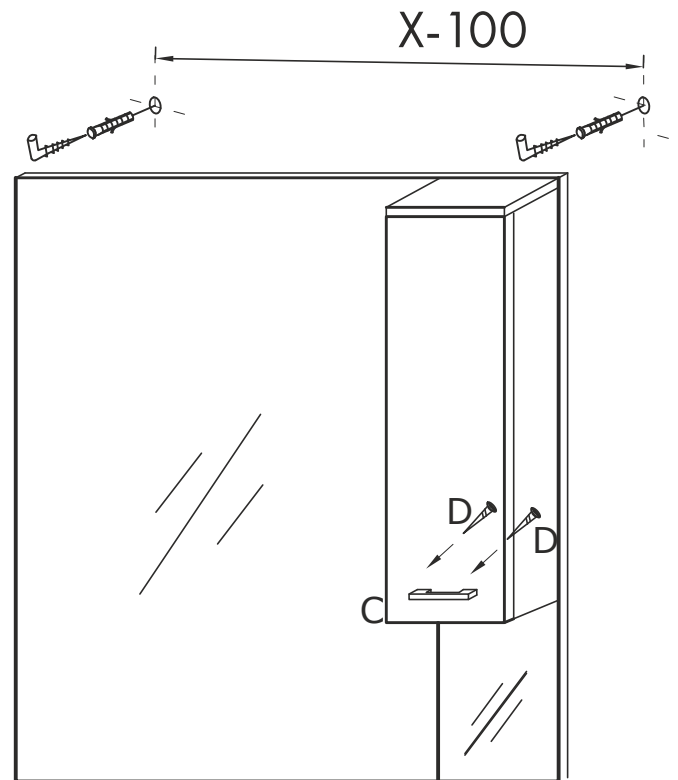
 C x 1	 4.2X25 D x 2	 E x 1	 F x 1
-----------	---------------------	-----------	-----------



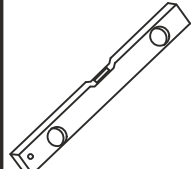
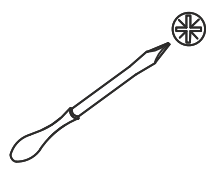
4125D/EL	4225D/EL	4325D/EL	4425D/EL
4125S/EL	4225S/EL	4325S/EL	4425S/EL

1.



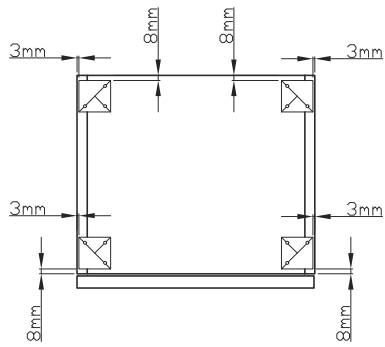
2.



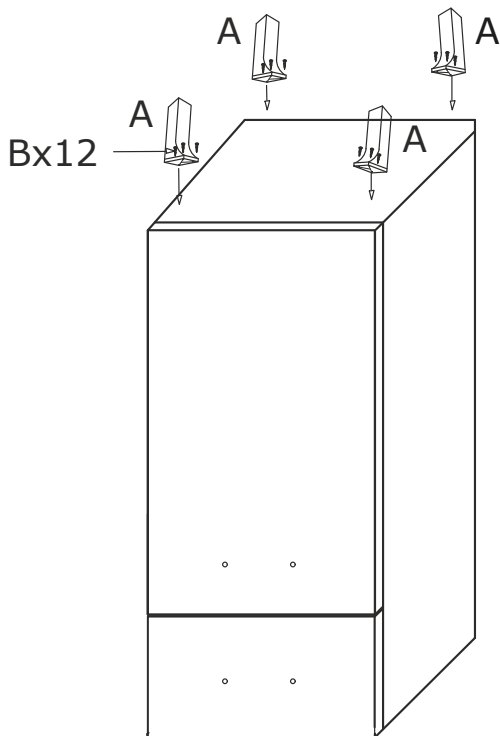
 C x 1	 4.2X25 D x 2		
--	--	---	--

4130D	4230D	4330D	4430D
4130S	4230S	4330S	4430S

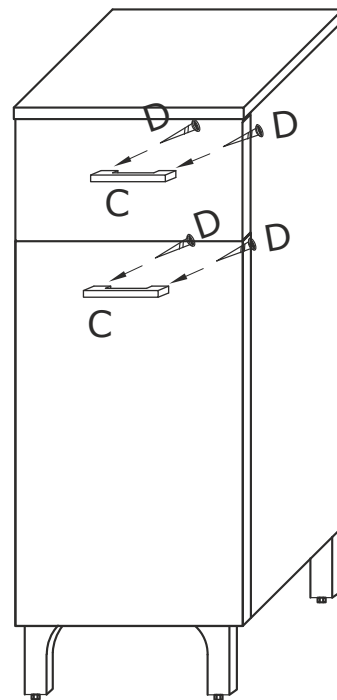
1.








2.



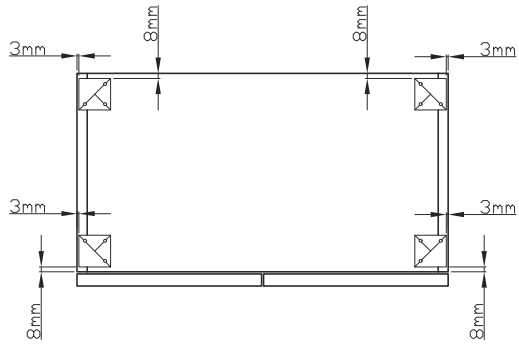
3.



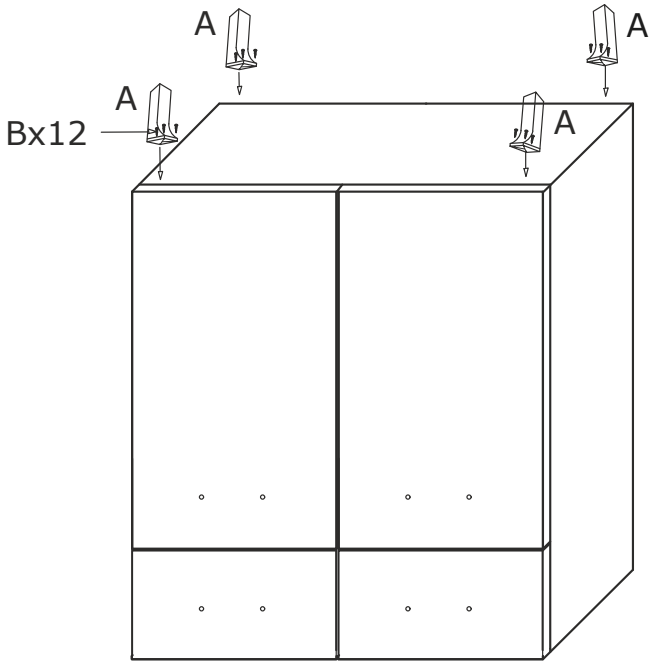
 A x 4	 Bx12	 C x 2	 D x 4	
--	---	--	--	---

4133	4233	4333	4433
------	------	------	------

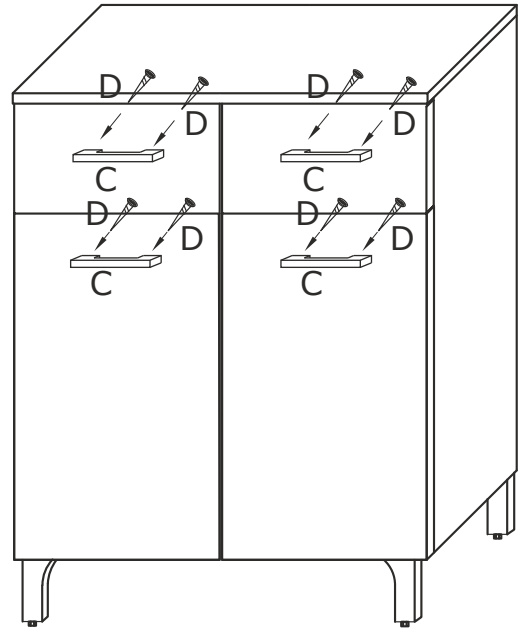
1.


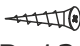


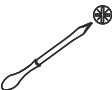


2.



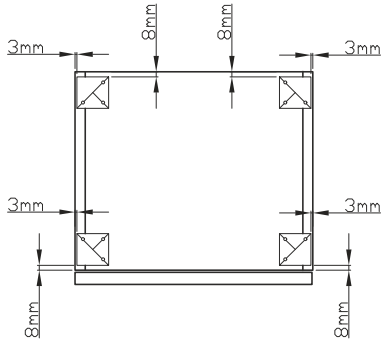
3.



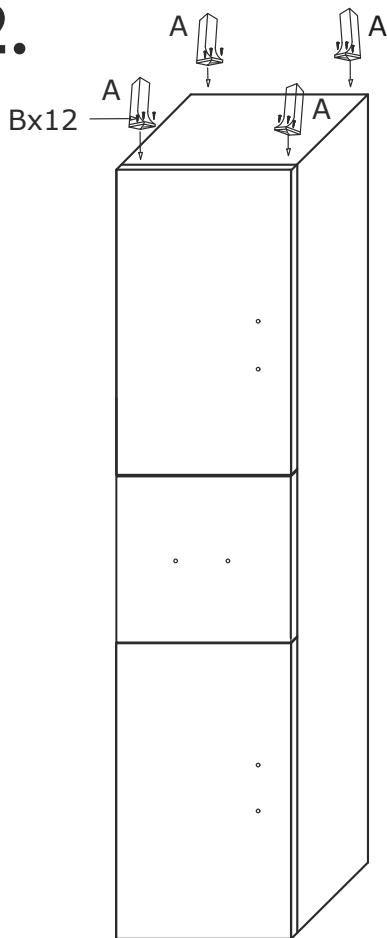
 A x 4	 B x 12	 C x 4	 D x 8	
--	---	--	--	---

4135D	4235D	4335D	4435D
4135S	4235S	4335S	4435S

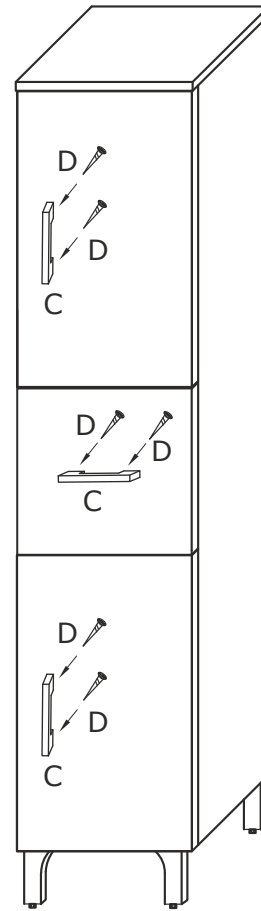
1.








2.



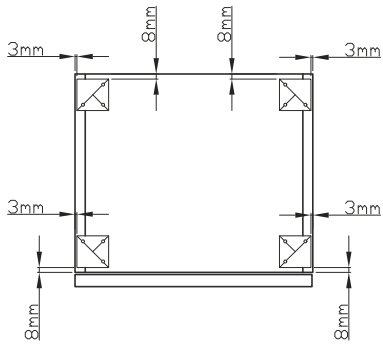
3.



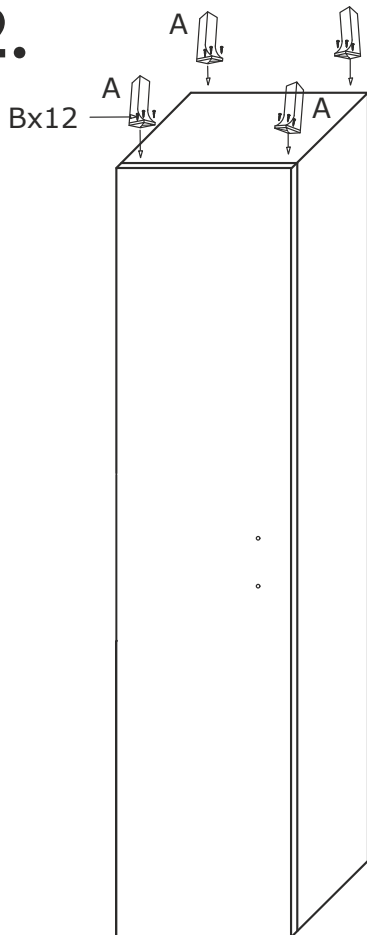
 A x 4	 B x 12	 C x 3	 D x 6	
--	---	--	--	---

4136D	4236D	4336D	4436D
4136S	4236S	4336S	4436S

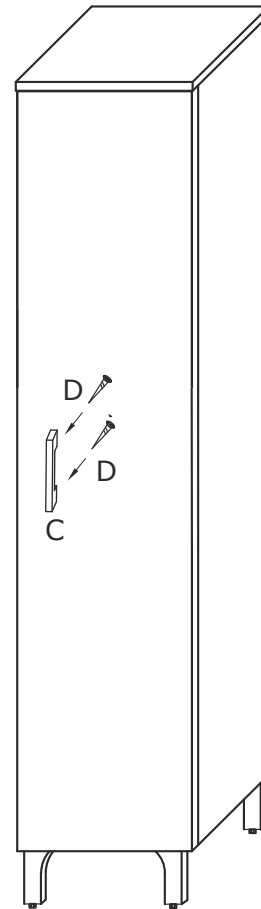
1.








2.



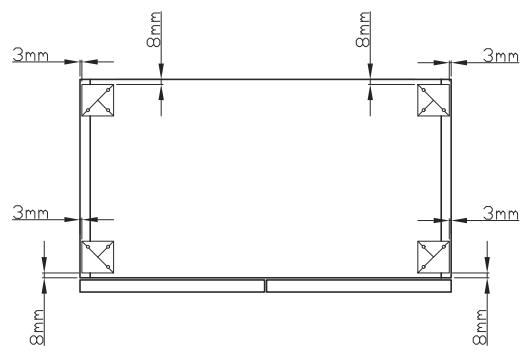
3.



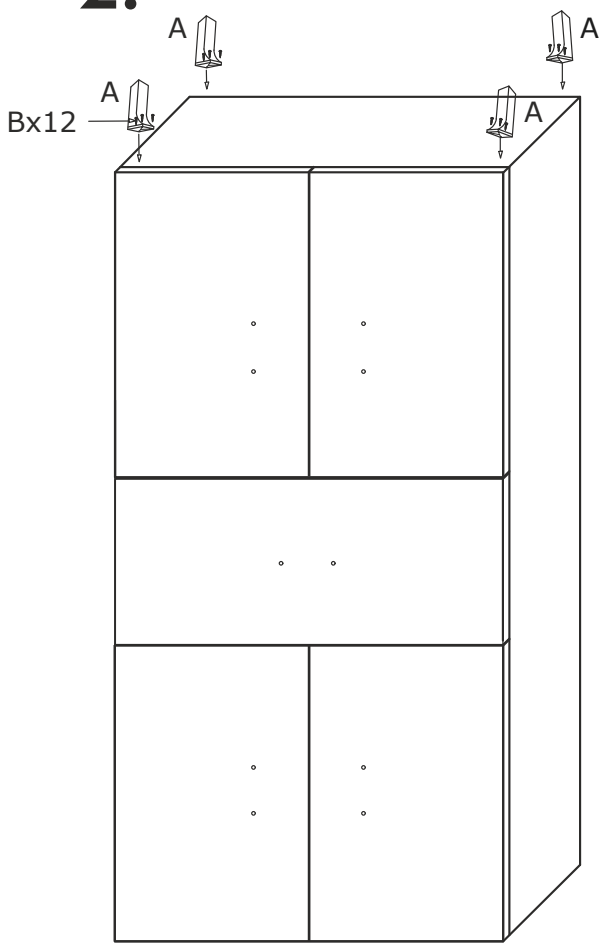
 A x 4	 3.2X19 Bx12	 C x 1	 4.2X25 D x 2	
--	---	--	--	---

4138	4238	4338	4438
------	------	------	------

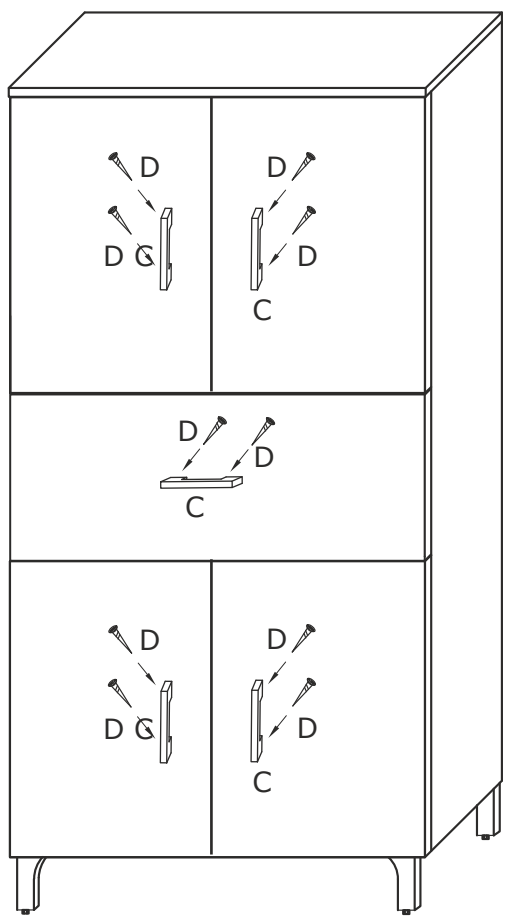
1.








2.



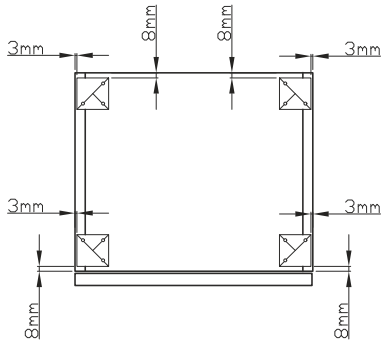
3.



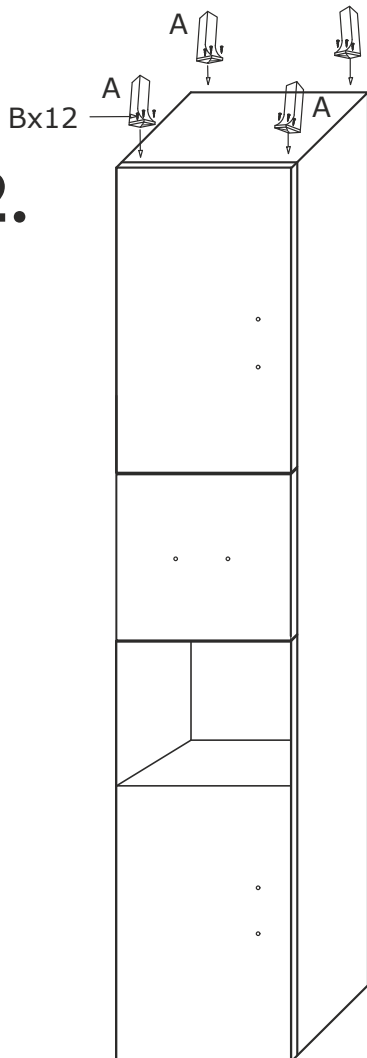
 A x 4	 Bx12	 C x 5	 D x 10	
--	---	--	---	---

4140D	4240D	4340D	4440D
4140S	4240S	4340S	4440S

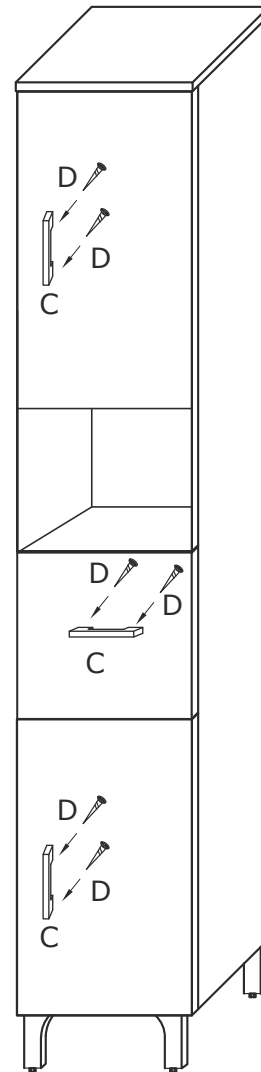
1.





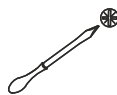


2.



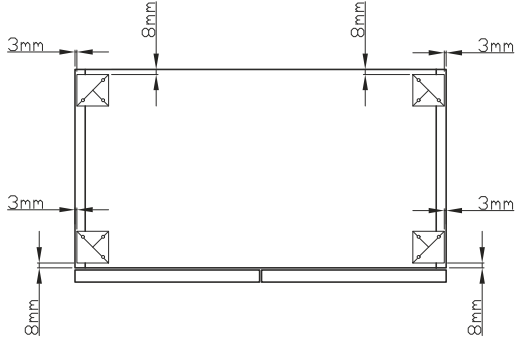
3.



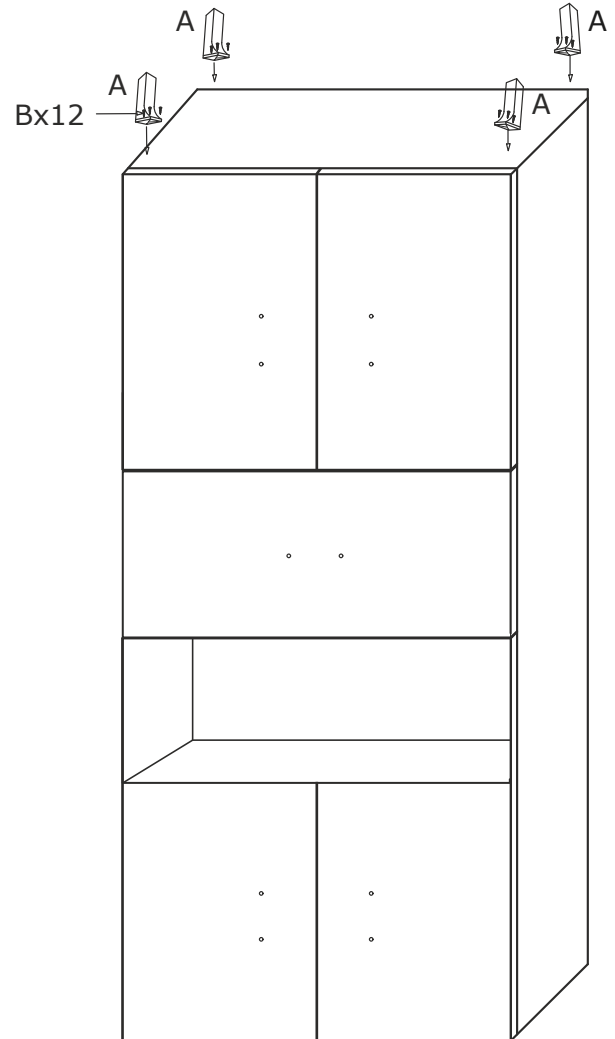
 A x 4	 Bx12	 C x 3	 D x 6	
--	---	--	--	---

4143	4243	4343	4443
------	------	------	------

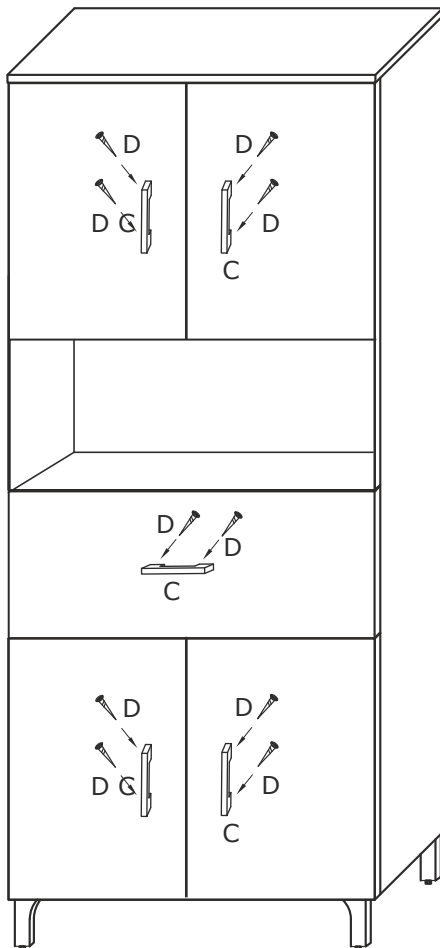
1.








2.



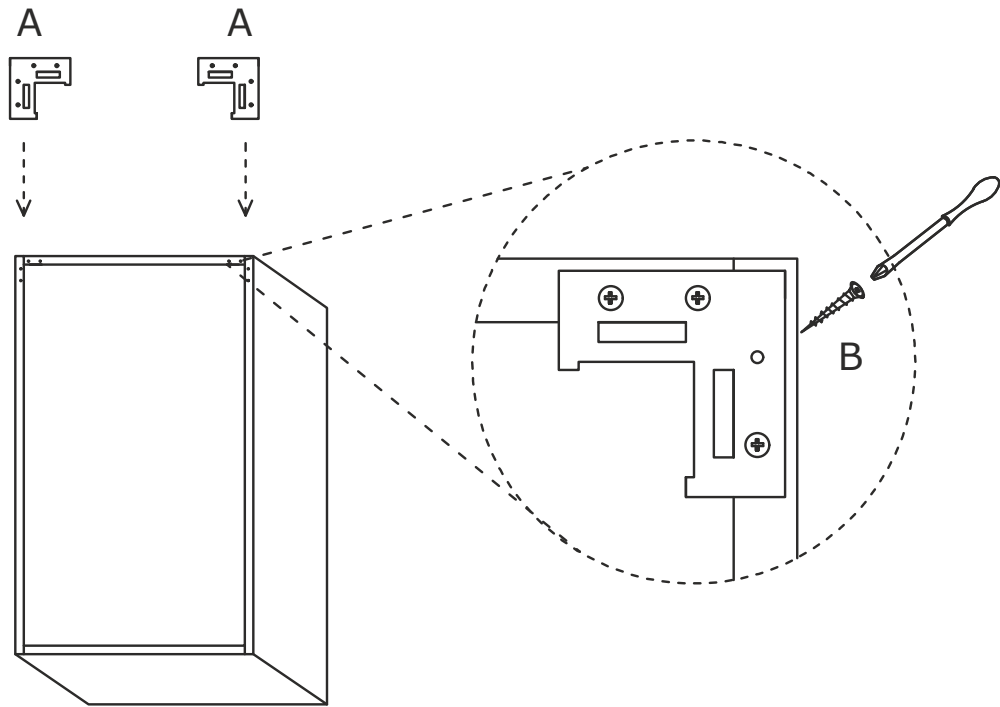
3.



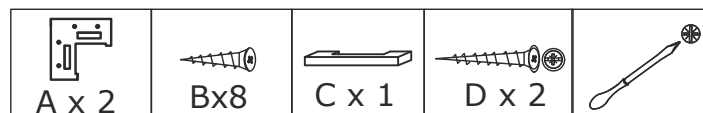
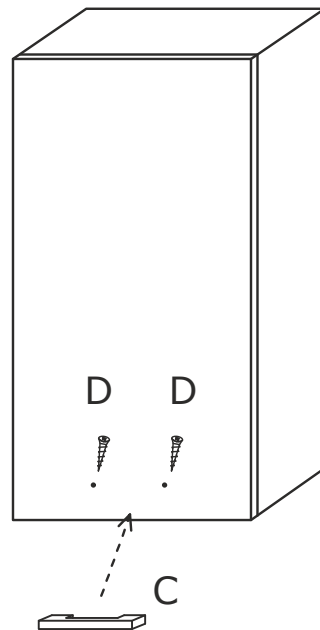
 A x 4	 Bx12	 C x 5	 D x 10	
--	---	--	---	---

4145D	4245D	4345D	4445D
4145S	4245S	4345S	4445S

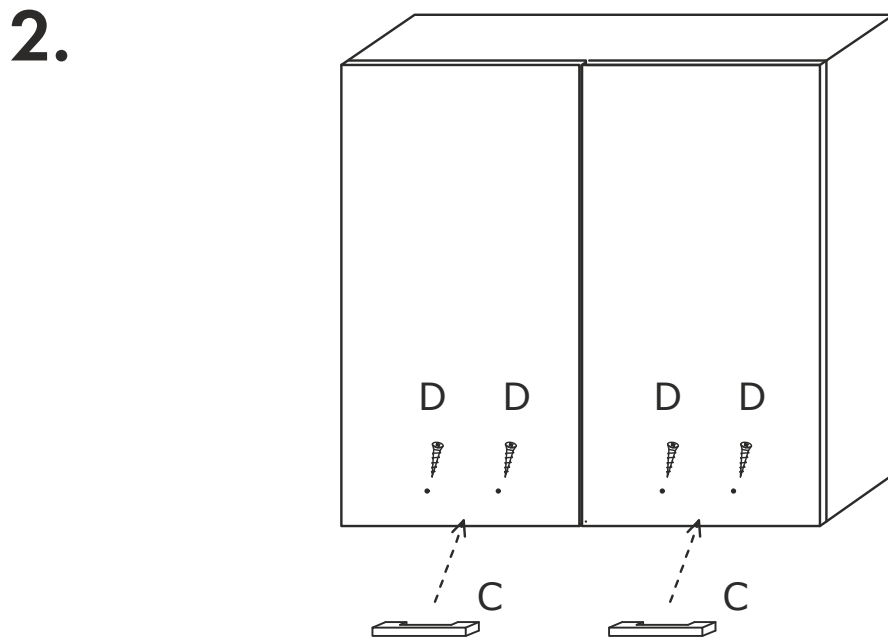
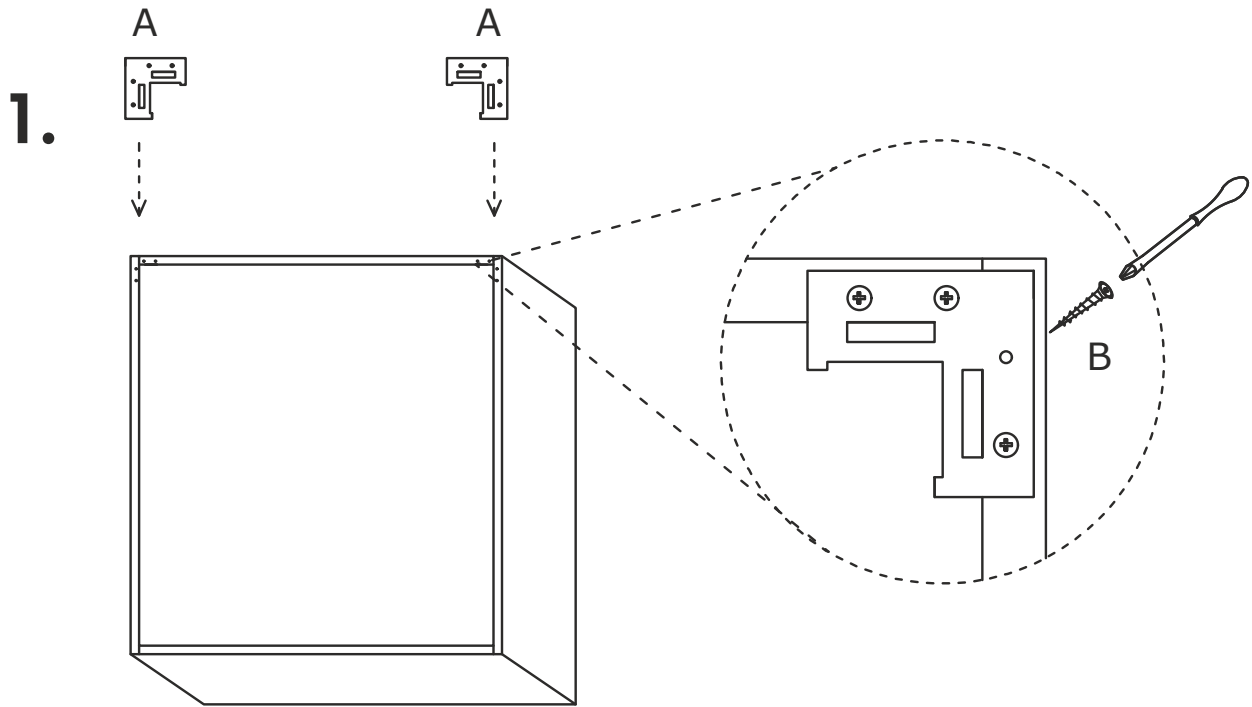
1.








2.



4147	4247	4347	4447
------	------	------	------



 A x 2	 B x 8	 C x 2	 D x 4	
--	--	--	--	---