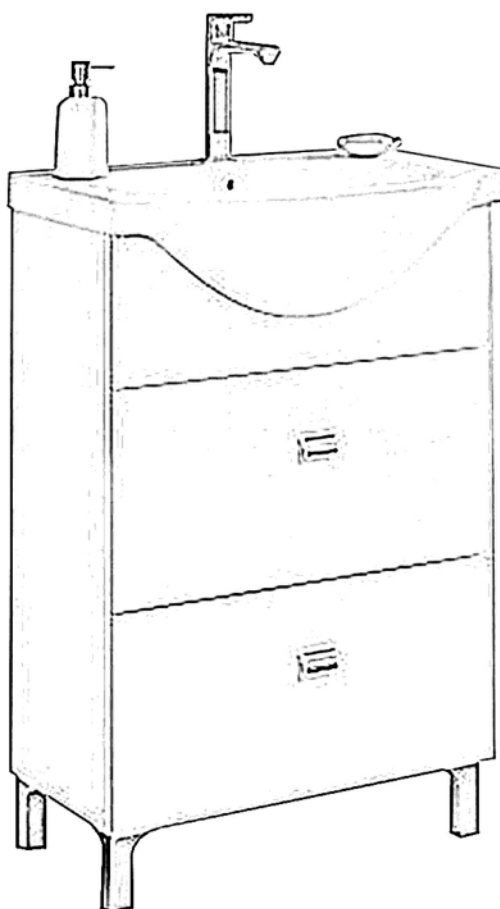
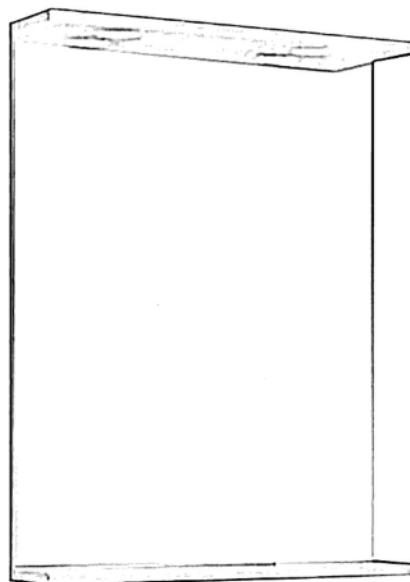


TOSCANO SZERELÉSI ÚTMUTATÓ



TARTALOMJEGYZÉK

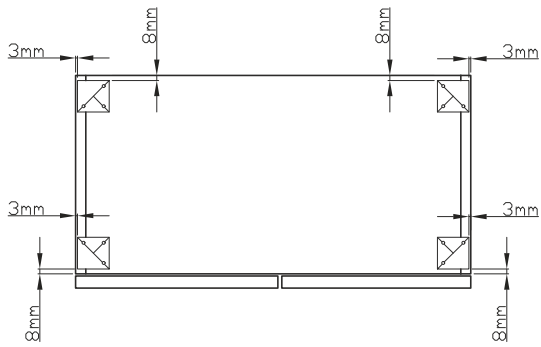
100 101	04
902	05
902S	06
102	07
904	08
904S	09
105 + 122LED/DR	10
110 + 123LED/DR	11
111 + 123LED/DR	13
119 + 210EL + LAMP906029	15
115 + 124LED/DR	17
116 + 124LED/DR	19
900LED	21
906LED	23
126	24
199 / LED	25
198 / LED	26
131D / 131S	27
138	28
151D / 151S	29
153D / 153S	30
	31

TARTALOMJEGYZÉK

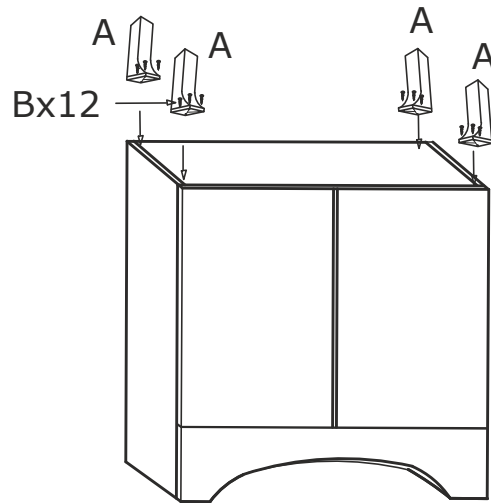
156	-----	32
161D / 161S	-----	33
171	-----	34
190D	-----	35
192	-----	36
182D	-----	37
183	-----	38
184D	-----	39

100	100/94	100/95	100/96	100/97	100/98	100/99
-----	--------	--------	--------	--------	--------	--------

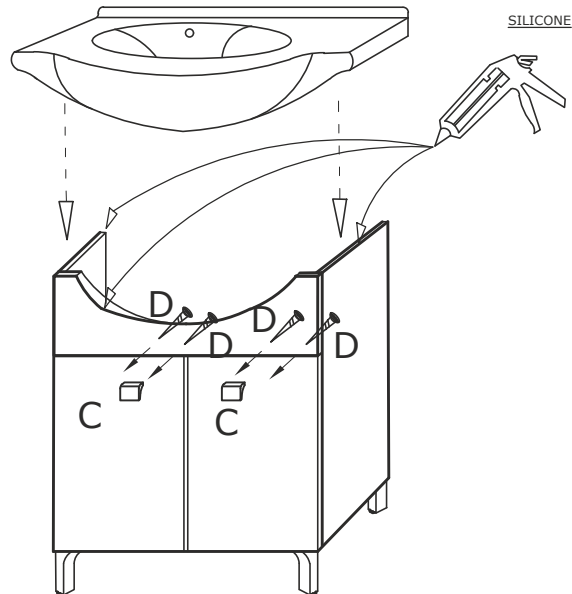
1.


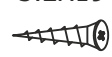


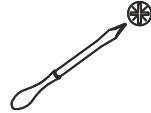



2.



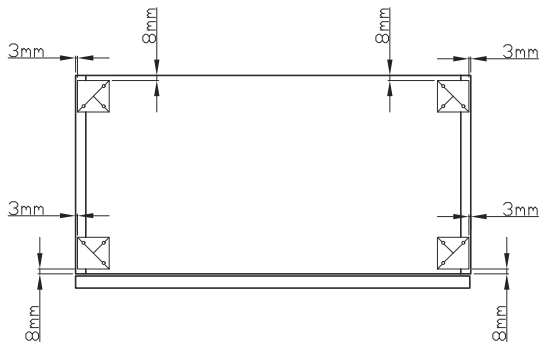
3.



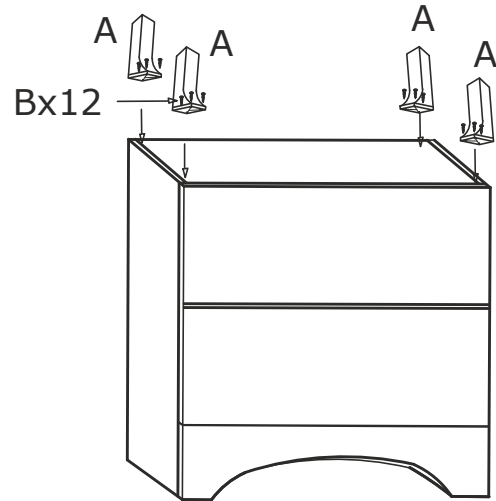
 A x 4	 3.2X19 Bx12	 C x 2	 4.2X25 D x 4			
--	---	--	--	--	---	---

101	101/94	101/95	101/96	101/97	101/98	101/99
-----	--------	--------	--------	--------	--------	--------

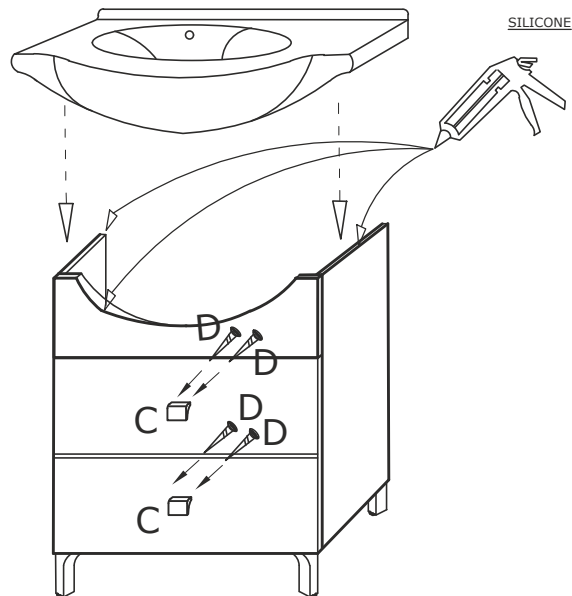
1.


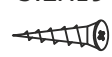


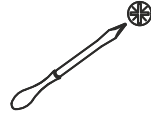



2.



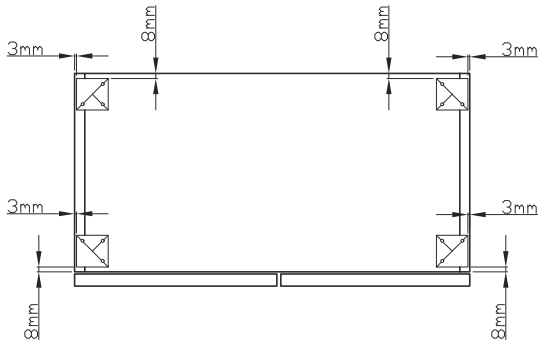
3.



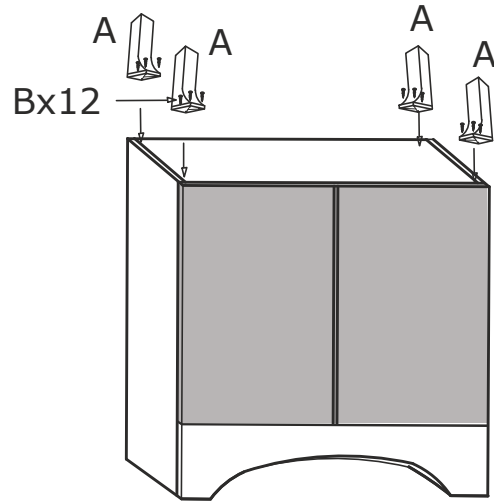
 A x 4	 3.2X19 Bx12	 C x 2	 4.2X25 D x 4			
--	---	--	--	--	---	---

902/94	902/95	902/96	902/97	902/98	902/99
--------	--------	--------	--------	--------	--------

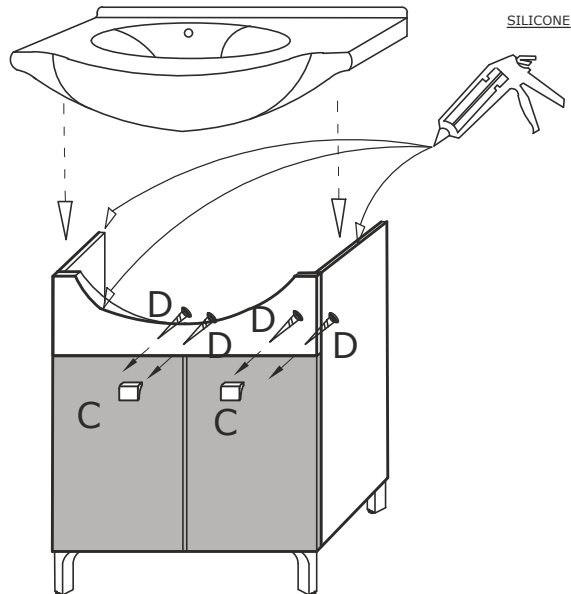
1.









2.



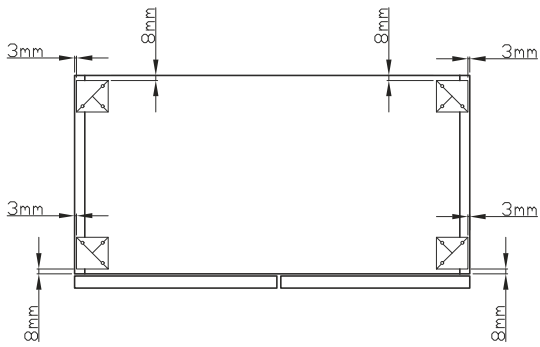
3.



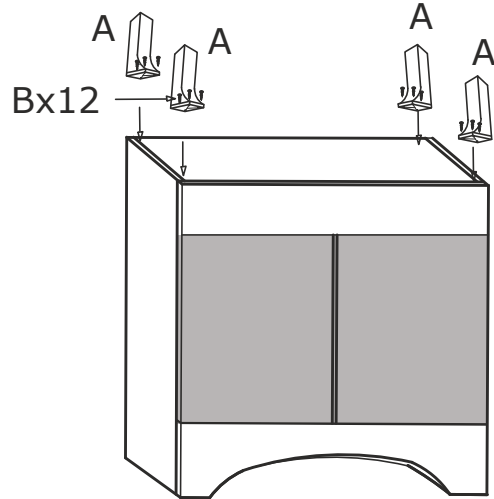
 A x 4	 3.2X19 Bx12	 C x 2	 4.2X25 D x 4			
--	---	--	--	--	---	---

902S	902S/94	902S/95	902S/96	902S/97	902S/98	902S/99
------	---------	---------	---------	---------	---------	---------

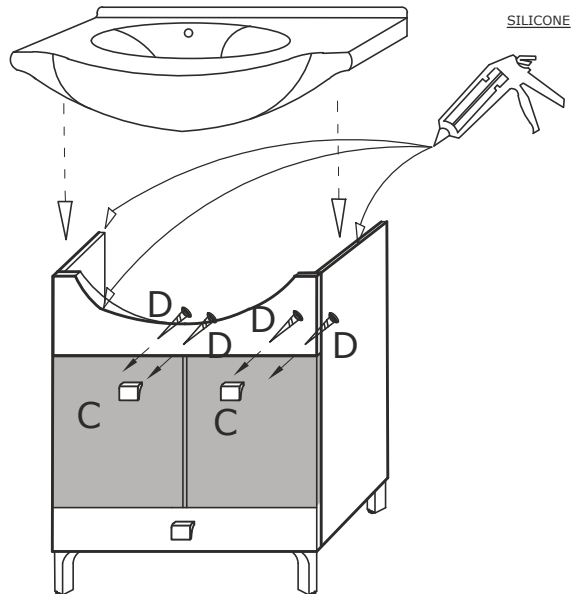
1.





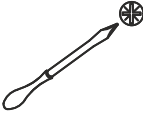



2.



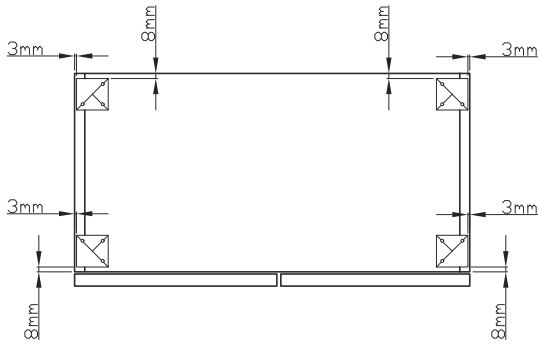
3.



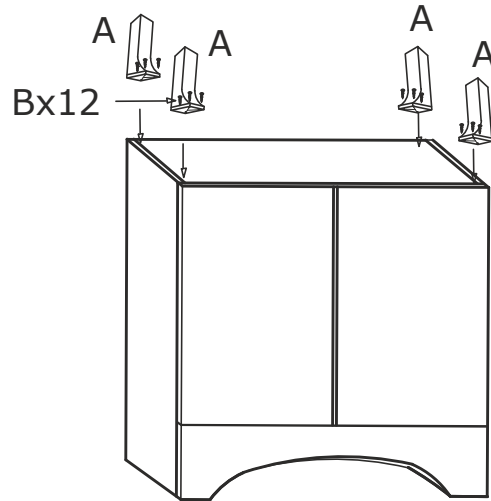
 A x 4	 3.2X19 B x 12	 C x 3	 4.2X25 D x 6			
--	---	--	--	--	---	---

102	102/94	102/95	102/96	102/97	102/98	102/99
-----	--------	--------	--------	--------	--------	--------

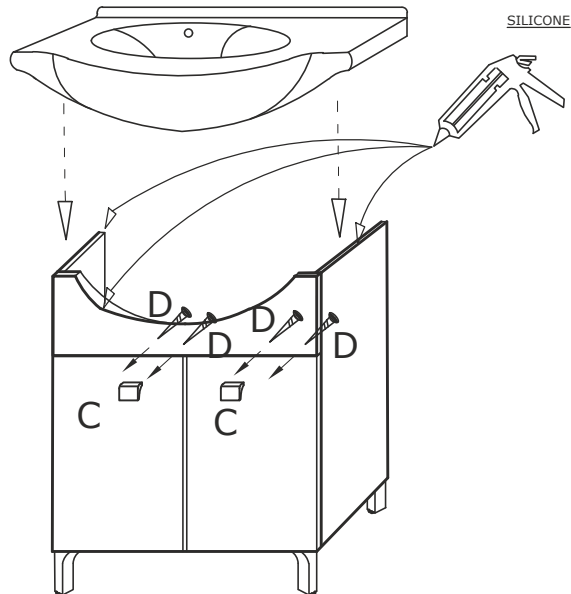
1.


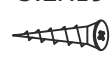


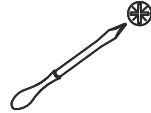



2.



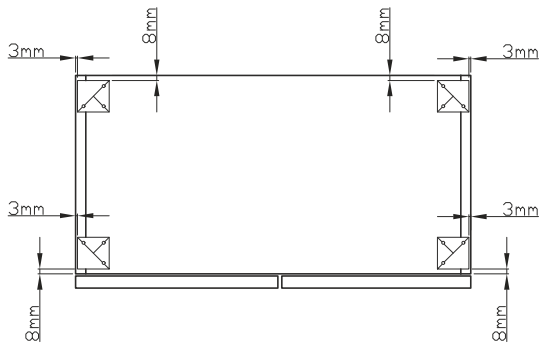
3.



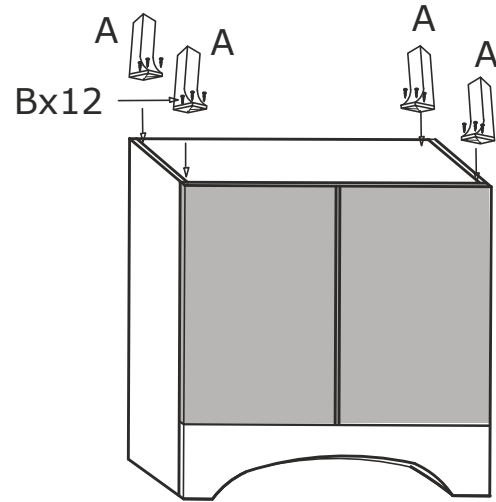
 A x 4	 3.2X19 Bx12	 C x 2	 4.2X25 D x 4			
--	---	--	--	--	---	---

904/94	904/95	904/96	904/97	904/98	904/99
--------	--------	--------	--------	--------	--------

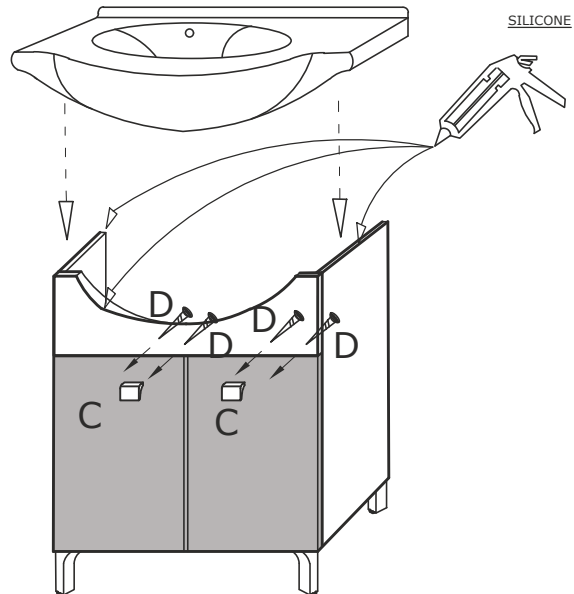
1.









2.



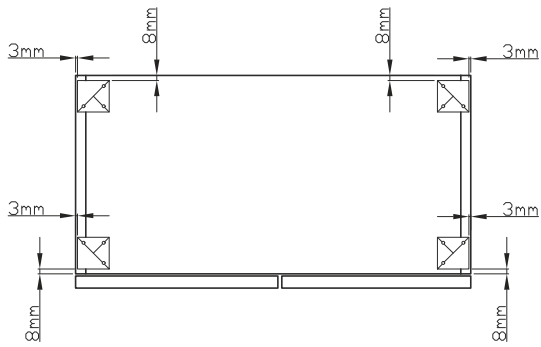
3.



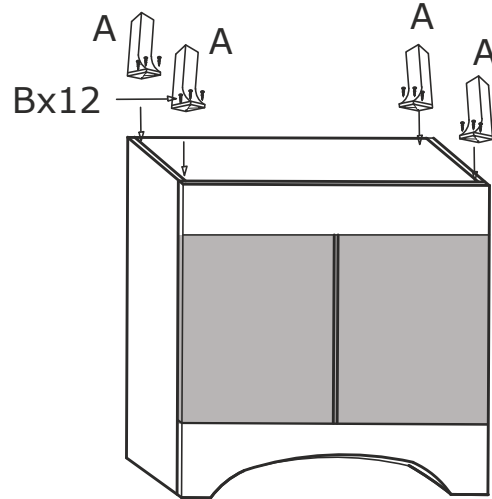
 A x 4	 3.2X19 B x 12	 C x 2	 4.2X25 D x 4			
--	---	--	--	--	---	---

904S	904S/94	904S/95	904S/96	904S/97	904S/98	904S/99
------	---------	---------	---------	---------	---------	---------

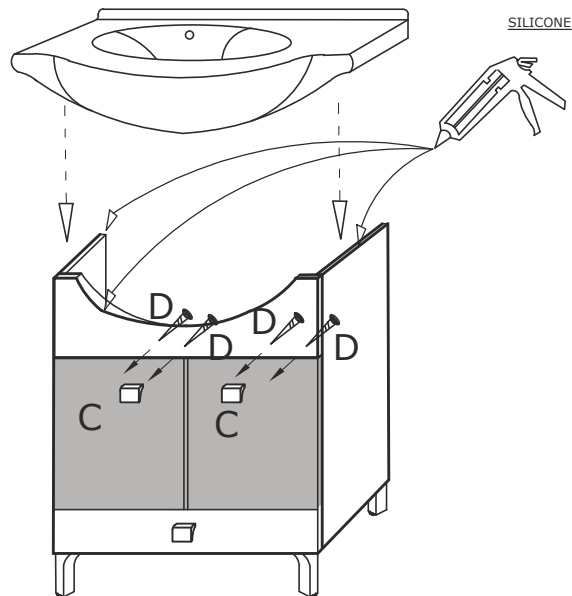
1.





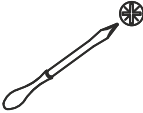



2.



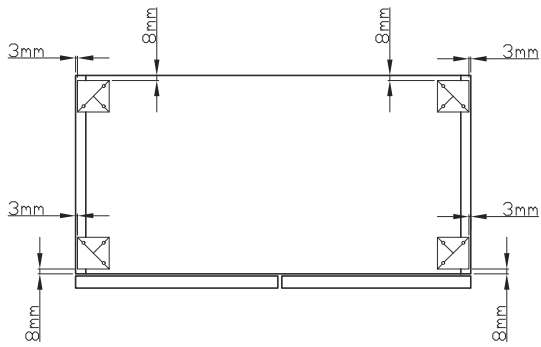
3.



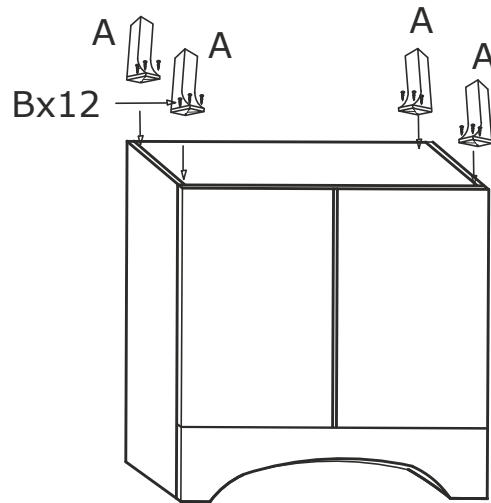
 A x 4	 3.2X19 Bx12	 C x 3	 4.2X25 D x 6			
--	---	--	--	--	---	---

105 + 122LED/DR

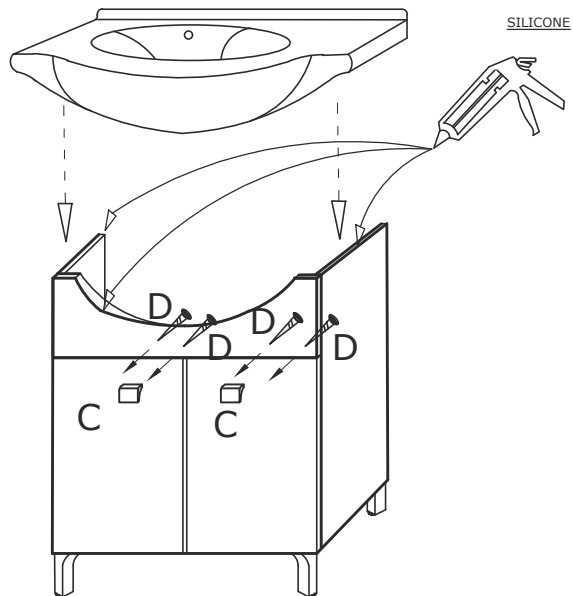
1.





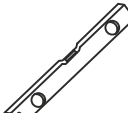




2.

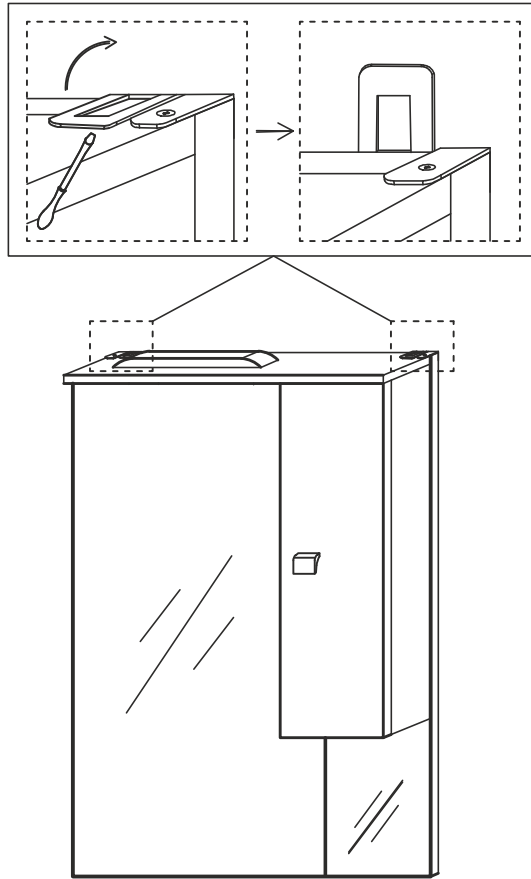


3.

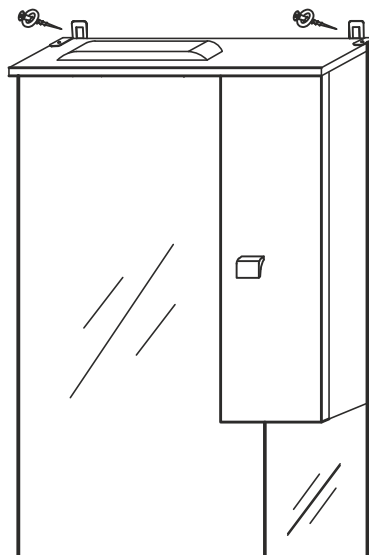




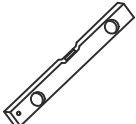
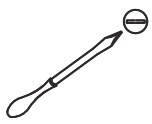
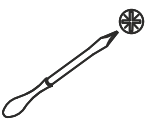
 A x 4	 3.2X19 Bx12	 C x 2	 4.2X25 D x 4			
--	---	--	--	--	---	---

4.



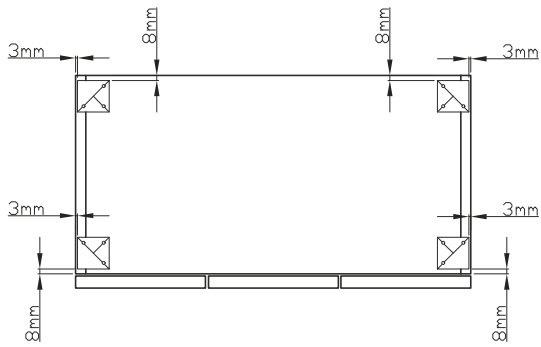
5.



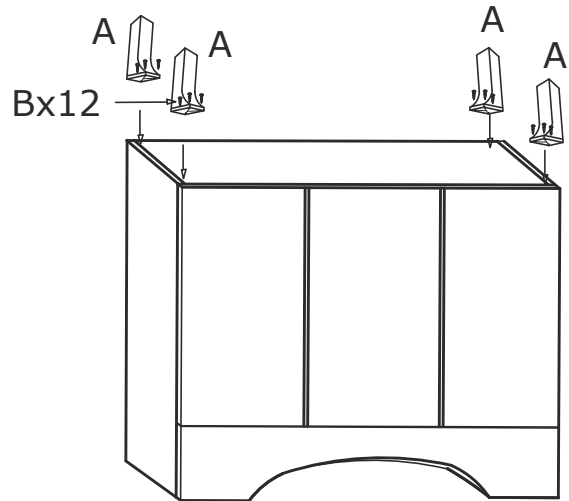
 C x 1	 4.2X25 D x 2			
--	--	---	--	---

110 + 123LED/DR

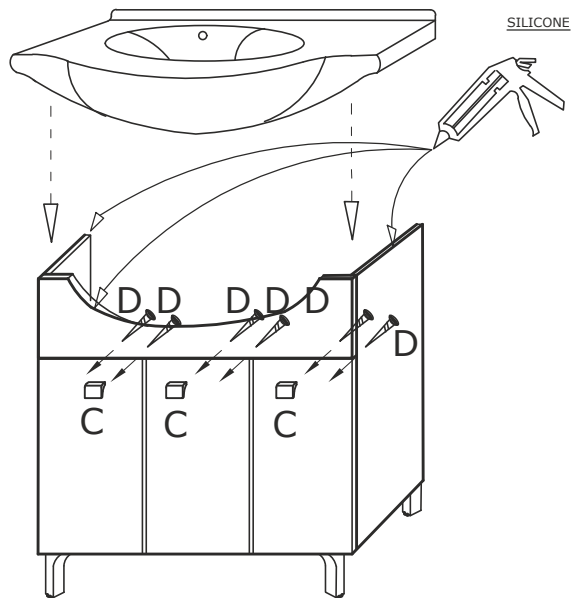
1.





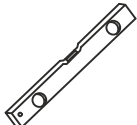
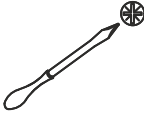



2.

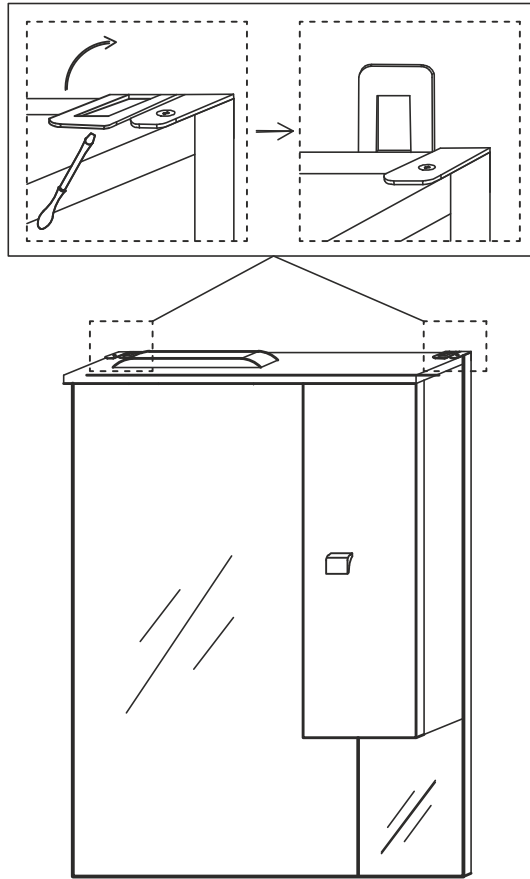


3.

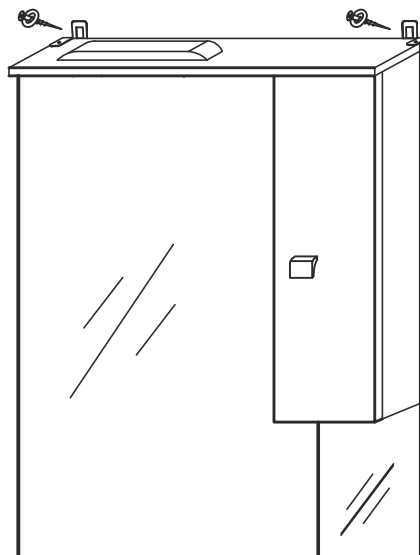




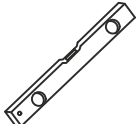
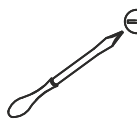

 A x 4	 3.2X19 B x 12	 C x 3	 4.2X25 D x 6			
--	---	--	--	--	---	---

3.



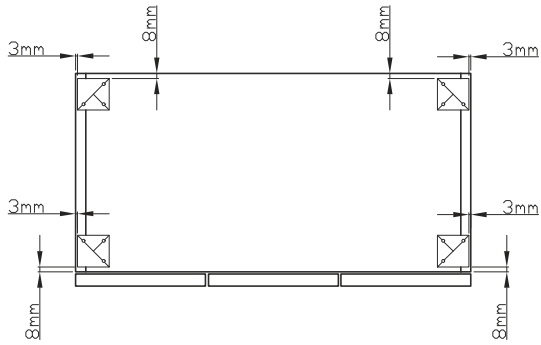
4.



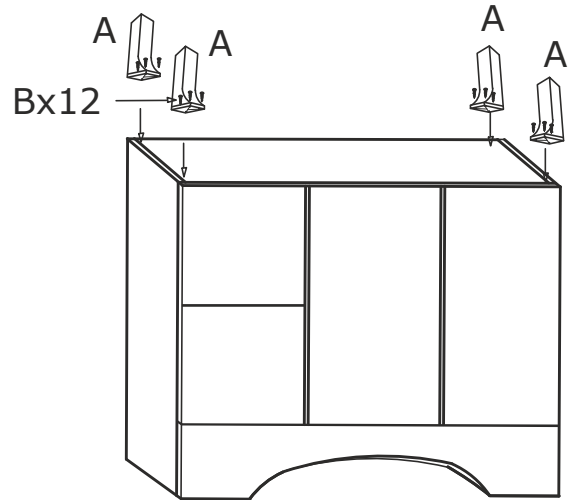
 C x 1	 4.2X25 D x 2			
--	--	---	--	---

111 + 123LED/DR

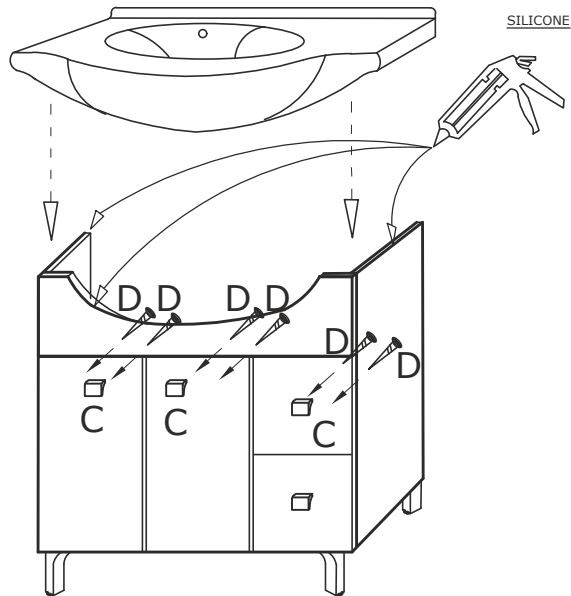
1.





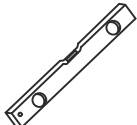
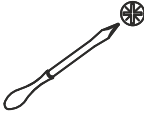



2.

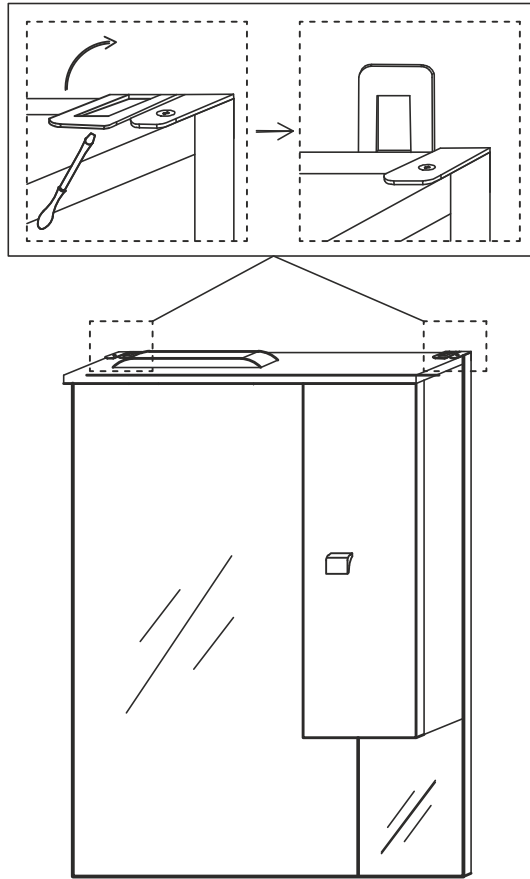


3.

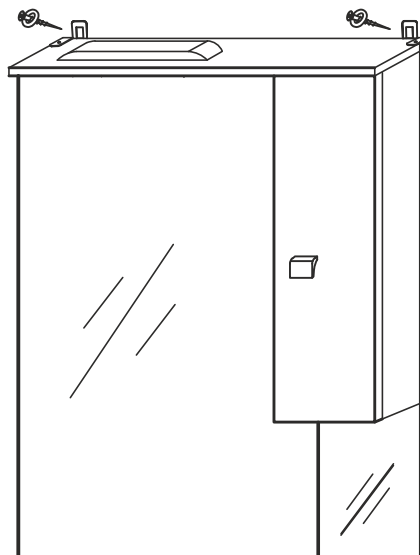




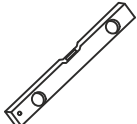
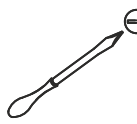

 A x 4	 3.2X19 B x 12	 C x 4	 4.2X25 D x 8			
--	---	--	--	--	---	---

4.



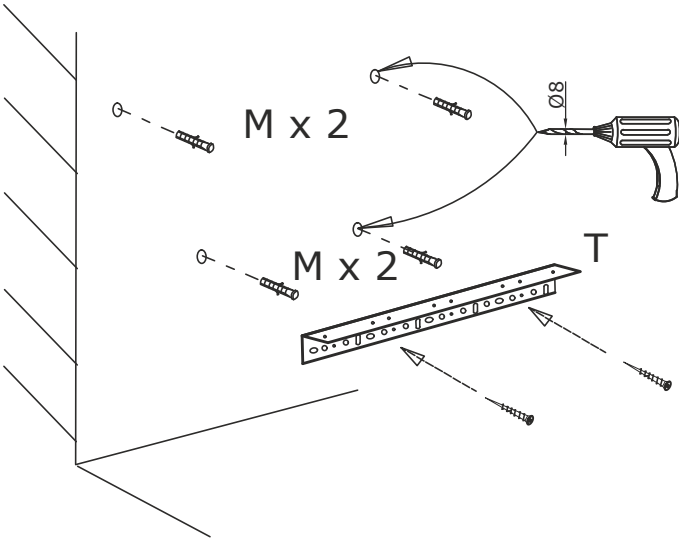
5.



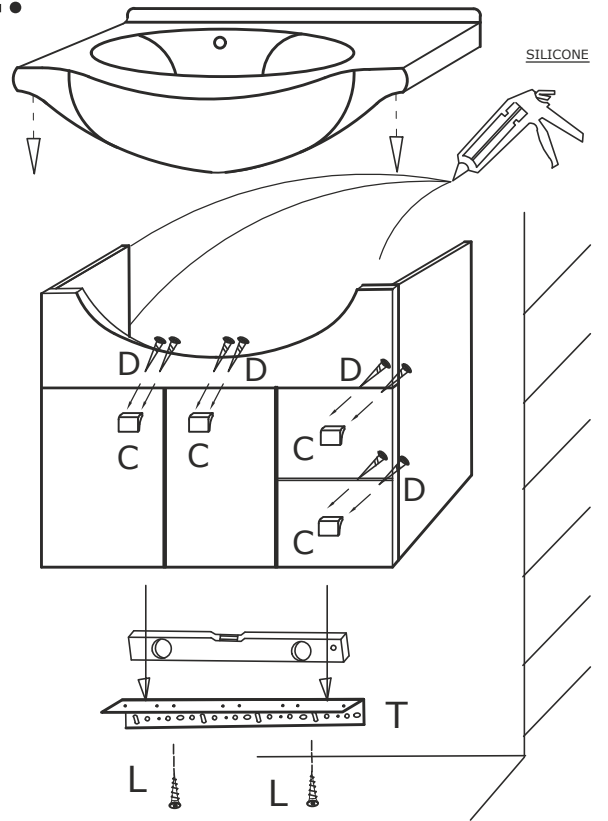
 C x 1	 4.2X25 D x 2			
--	--	---	--	---

119 + 210EL + LAMP906029

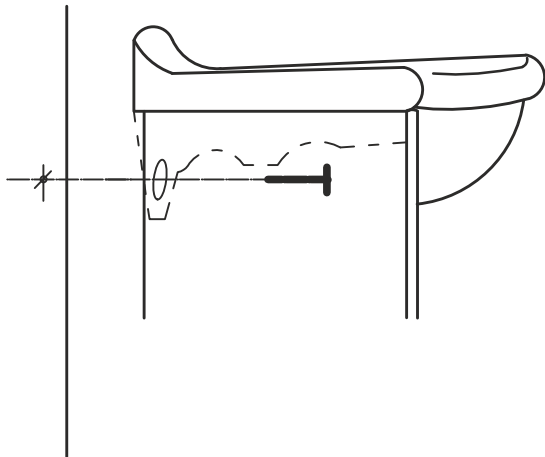
1.



2.

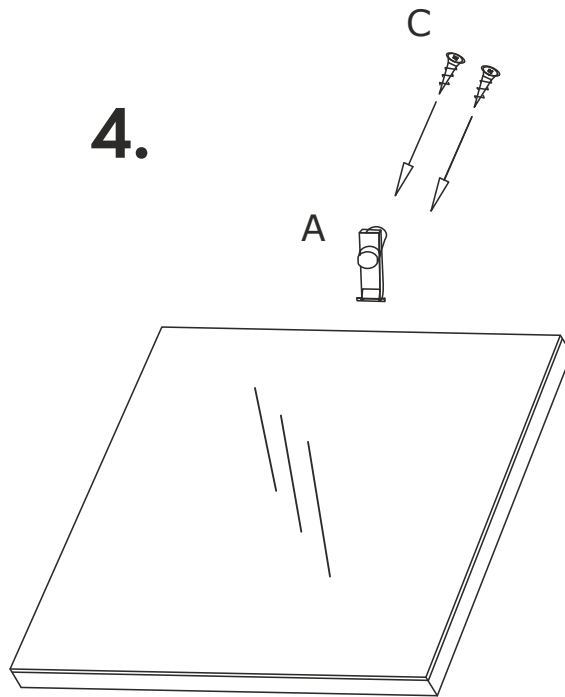


3.

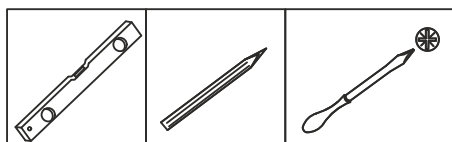
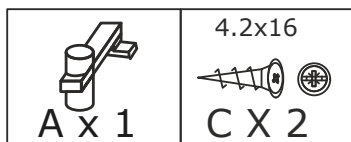
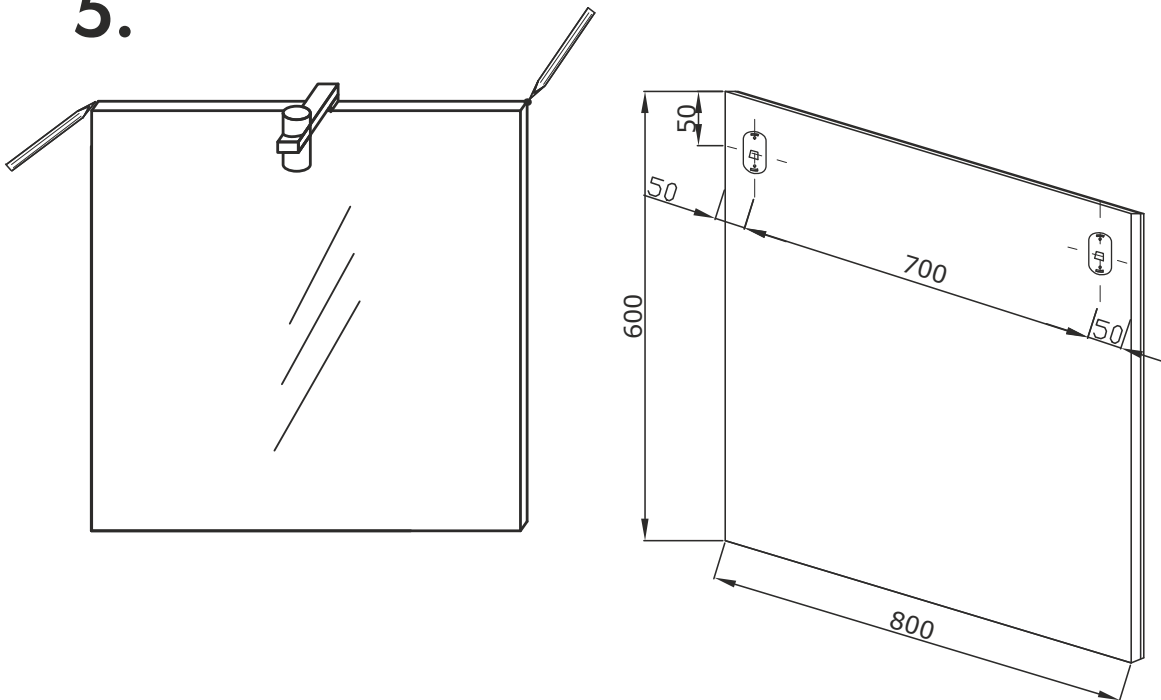


	 M x 4	 L x 2	 T x 1
 C x 4	 D x 8		

4.

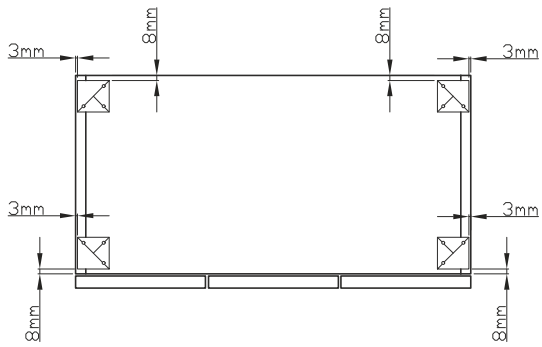


5.

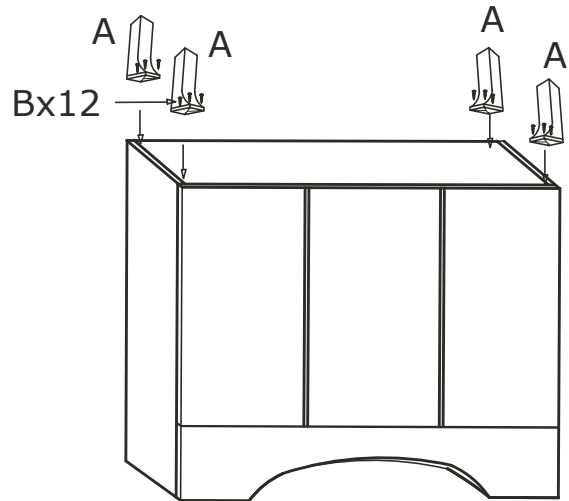


115 + 124LED/DR

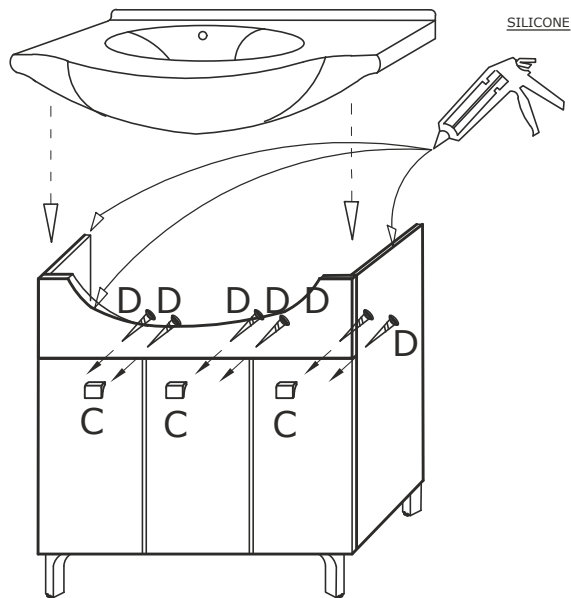
1.





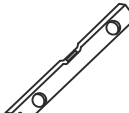




2.

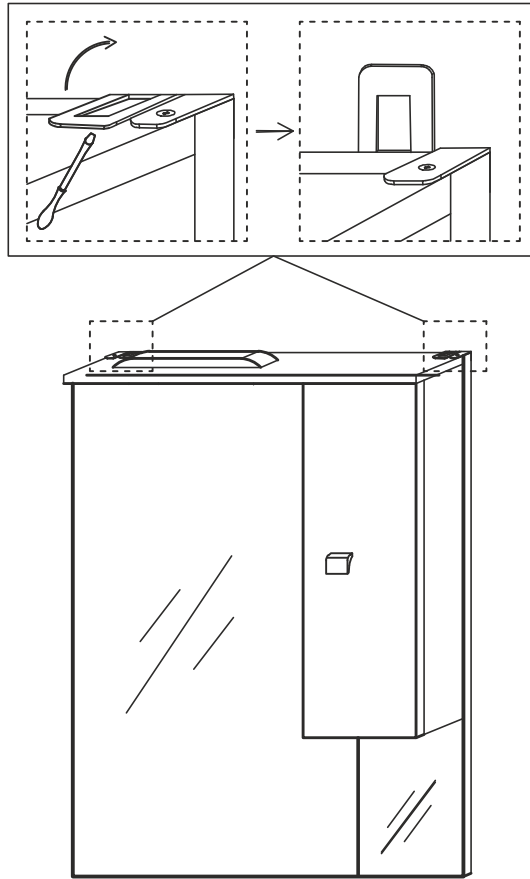


3.

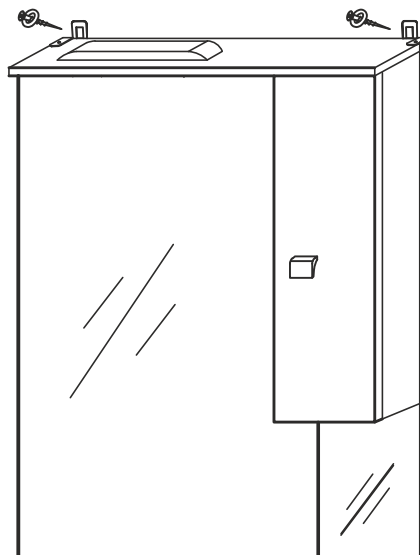




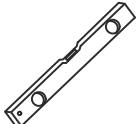
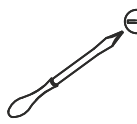

 A x 4	 3.2X19 B x 12	 C x 3	 4.2X25 D x 6			
--	---	--	--	--	---	---

4.



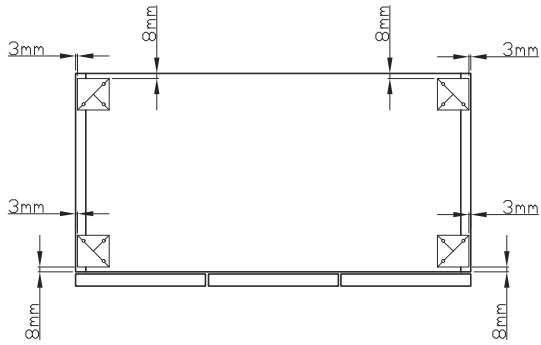
5.



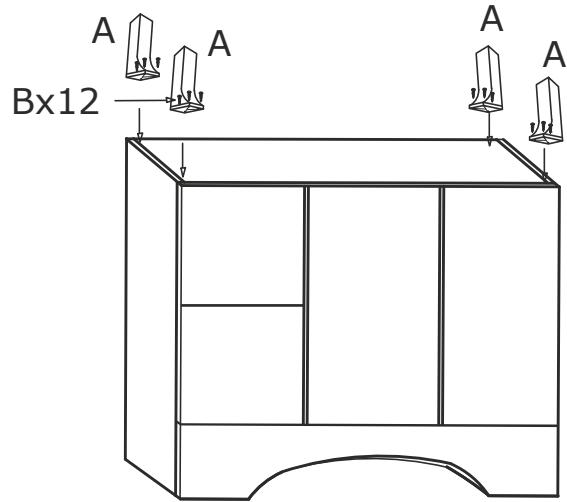
 C x 1	 4.2X25 D x 2			
--	--	---	--	---

116 + 124LED/DR

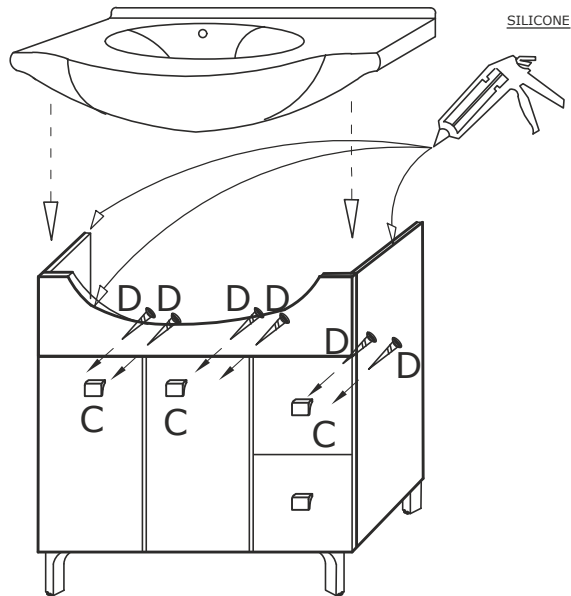
1.





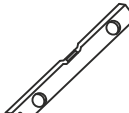




2.

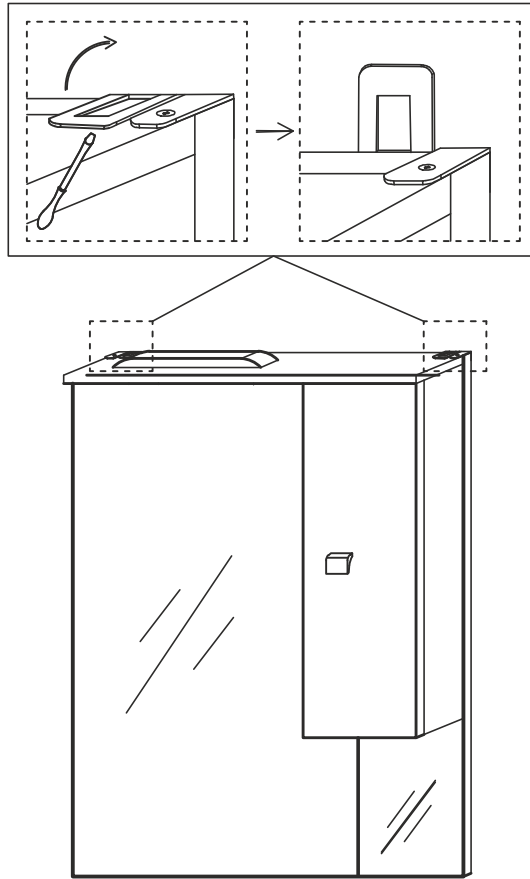


3.

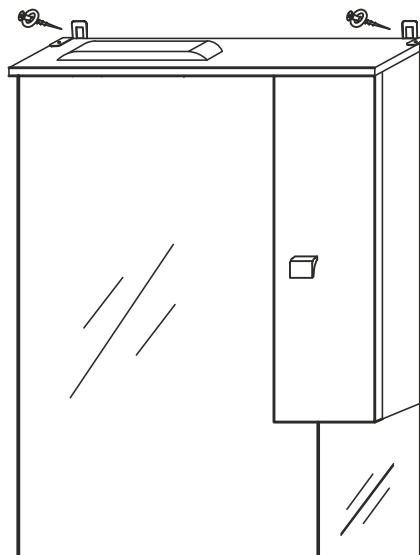




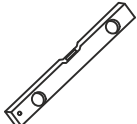
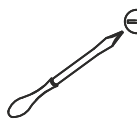

 A x 4	 3.2X19 Bx12	 C x 4	 4.2X25 D x 8			
--	---	--	--	--	---	---

4.



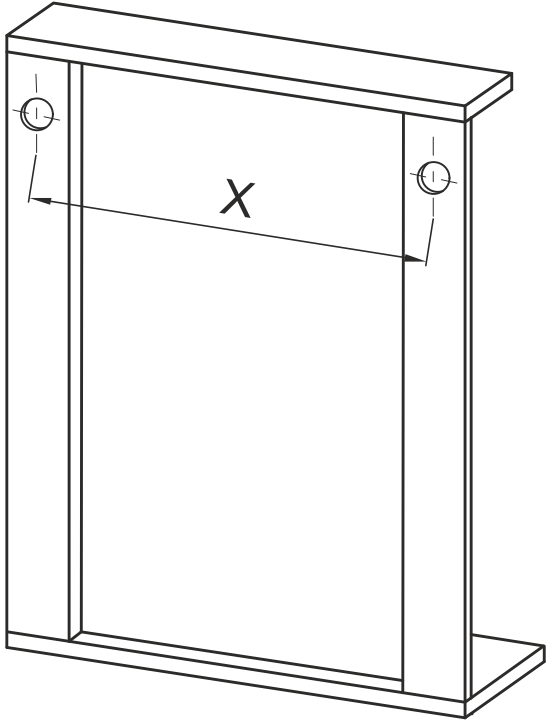
5.



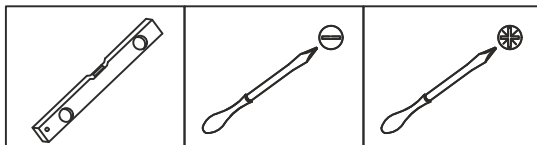
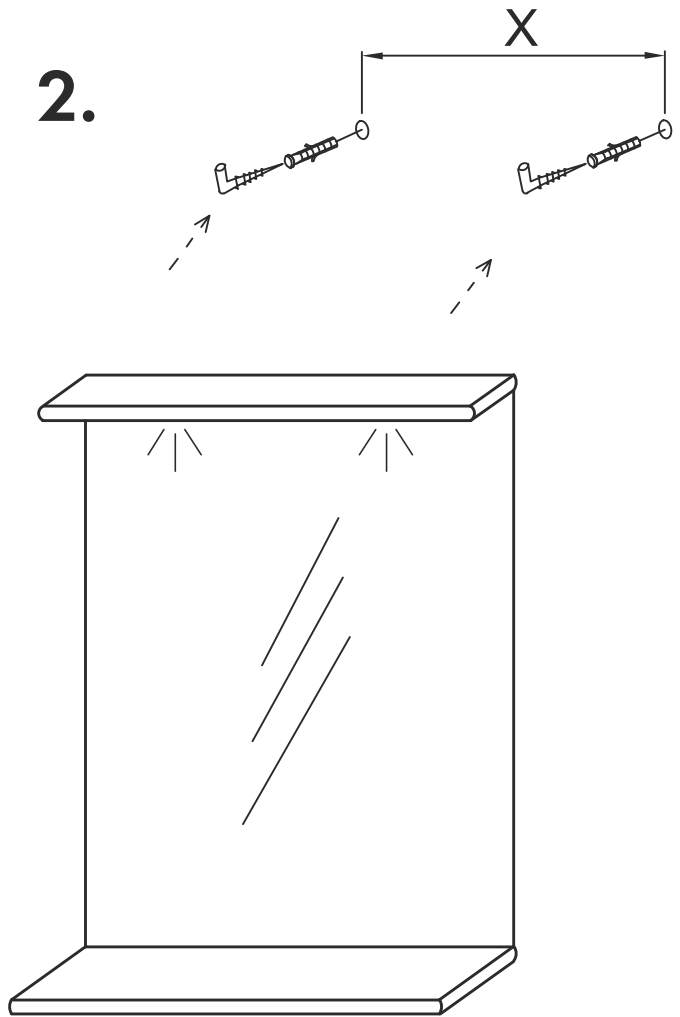
 C x 1	 4.2X25 D x 2			
--	--	---	--	---

900LED

1.

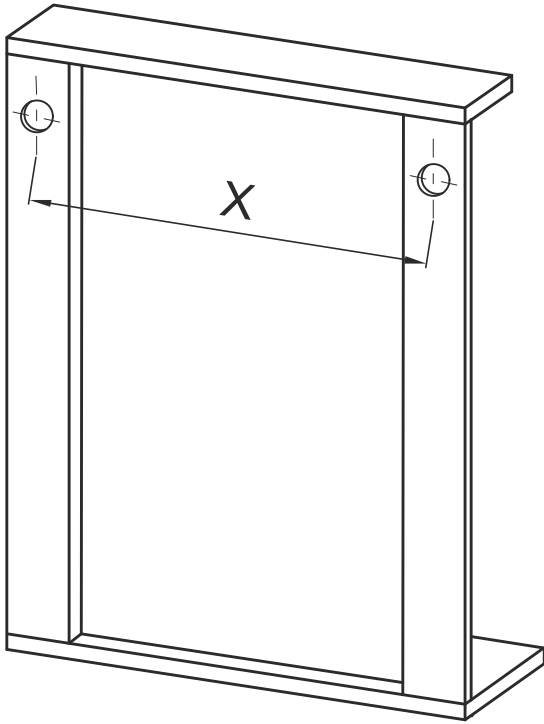


2.

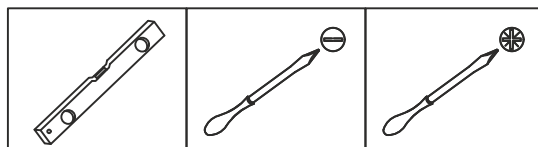
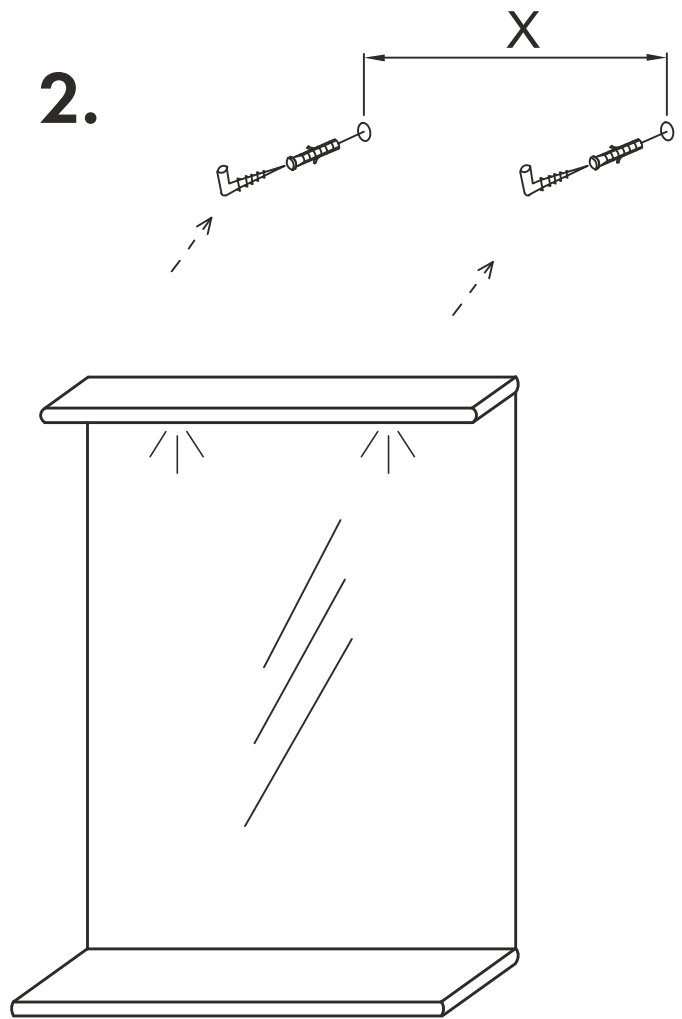


906LED

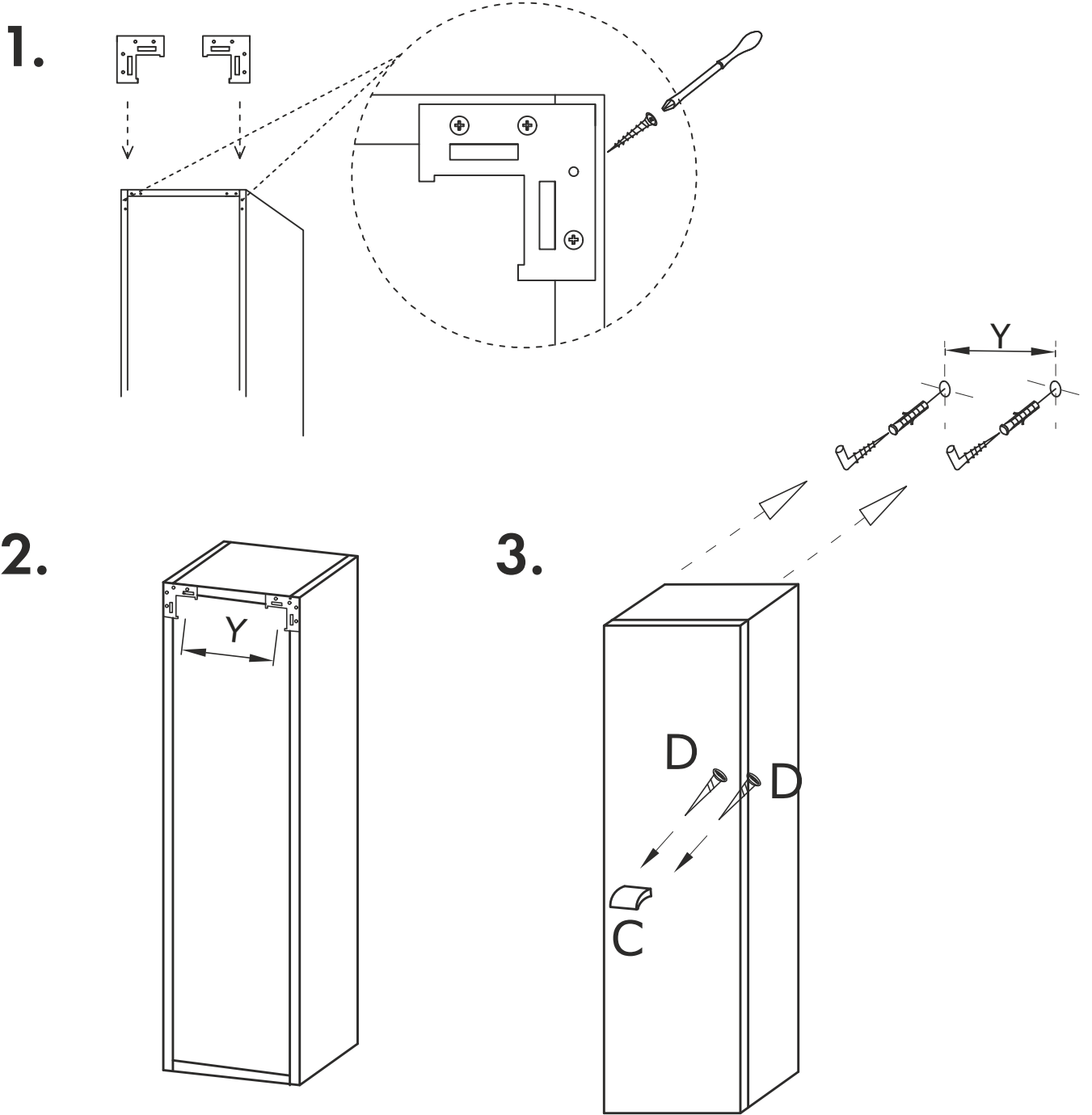
1.




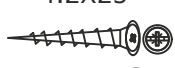
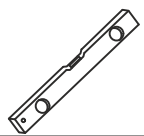
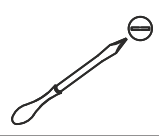
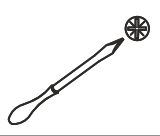


2.



126	126/94	126/95	126/96	126/97	126/98	126/99
-----	--------	--------	--------	--------	--------	--------



 A x 2	 B x 8	 C x 1	 4.2X25 D x 2			
--	--	--	--	--	---	---

199/LED

199/LED/94

199/LED/95

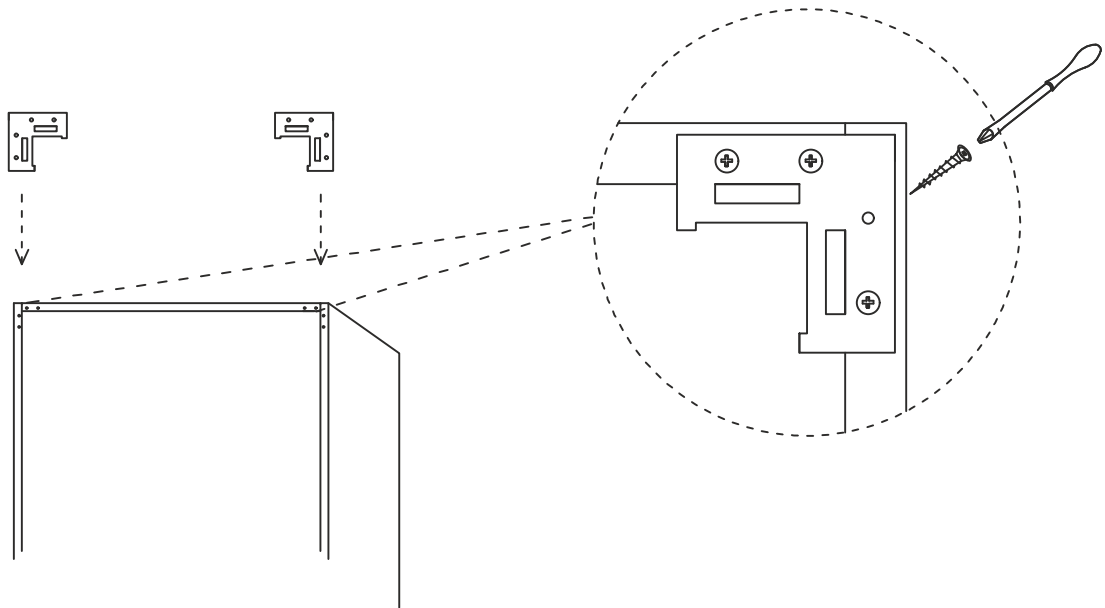
199/LED/96

199/LED/97

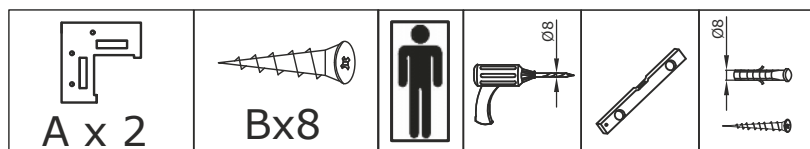
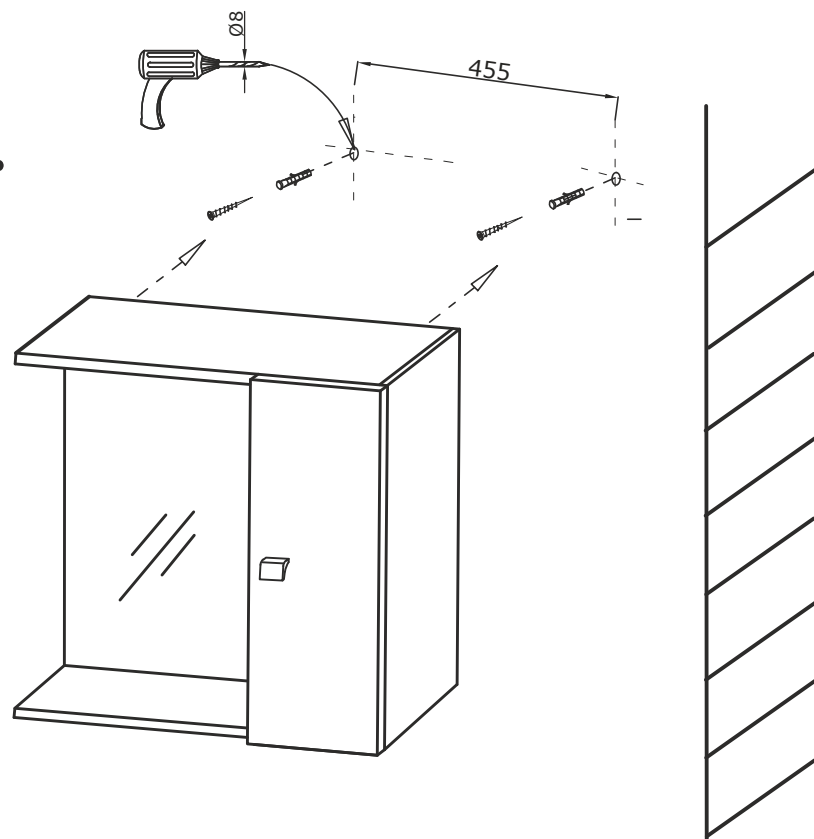
199/LED/98

199/LED/99

1.



2.



198/LED

198/LED/94

198/LED/95

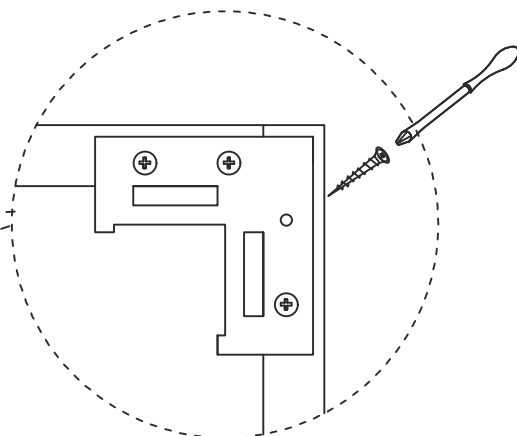
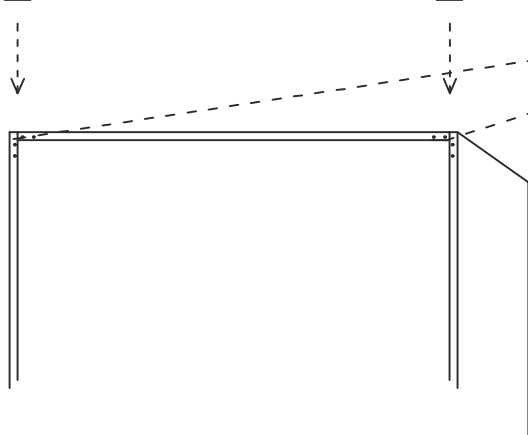
198/LED/96

198/LED/97

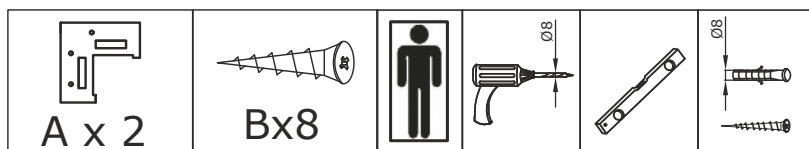
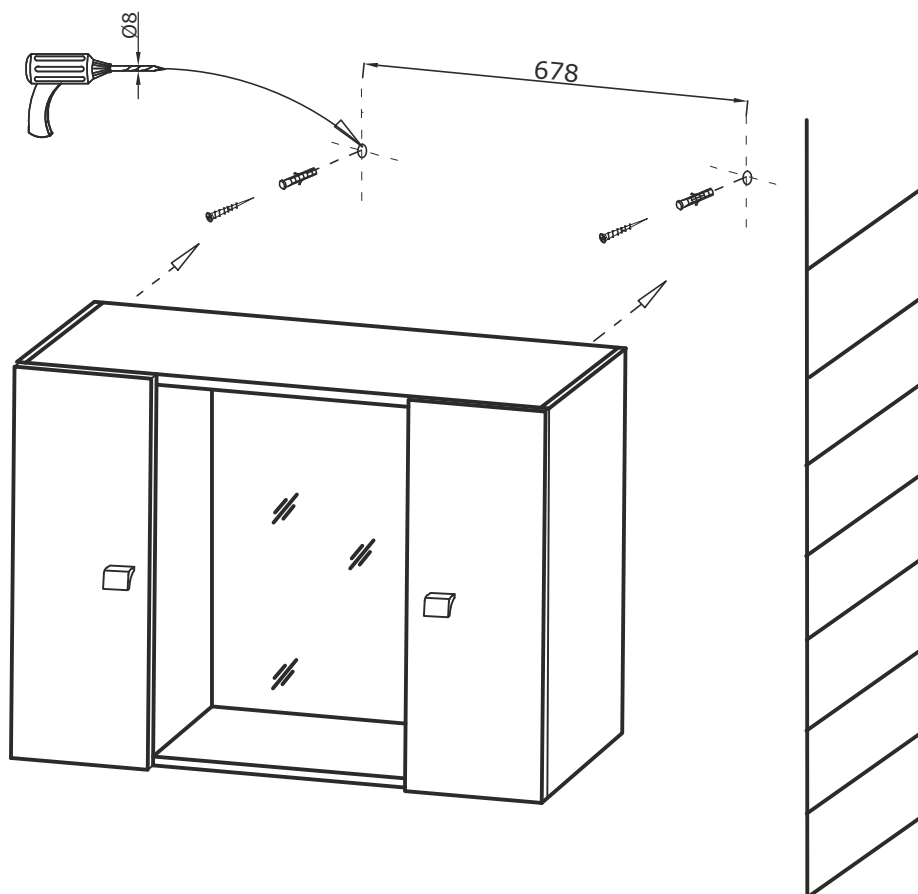
198/LED/98

198/LED/99

1.



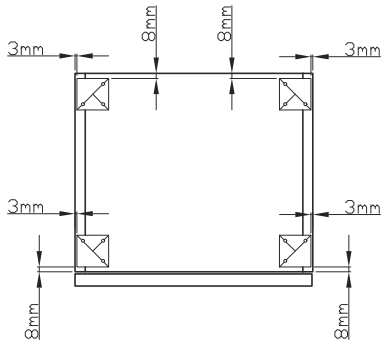
2.



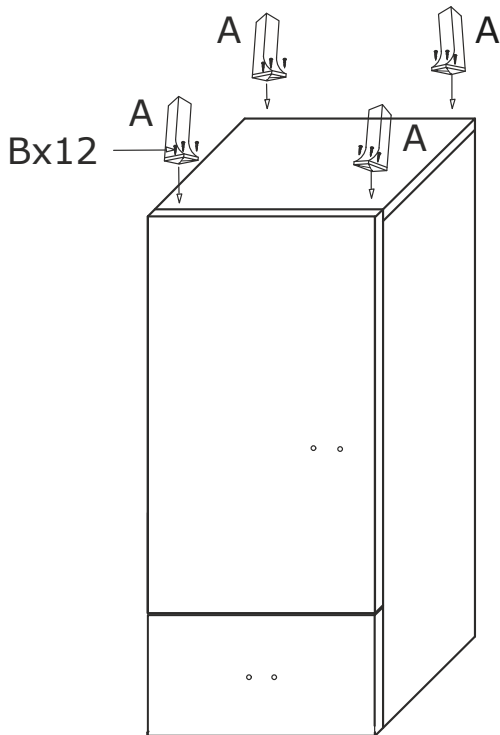
131D

131S

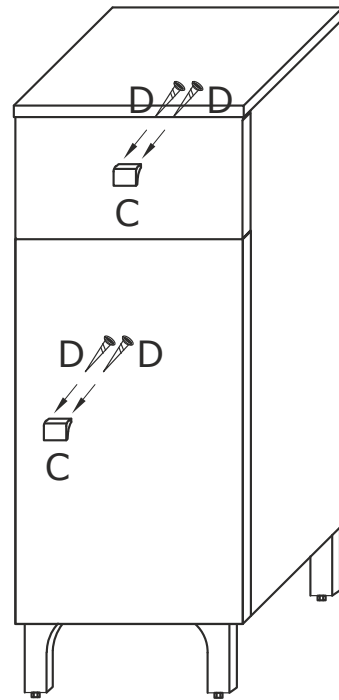
1.




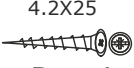
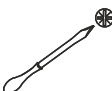


2.

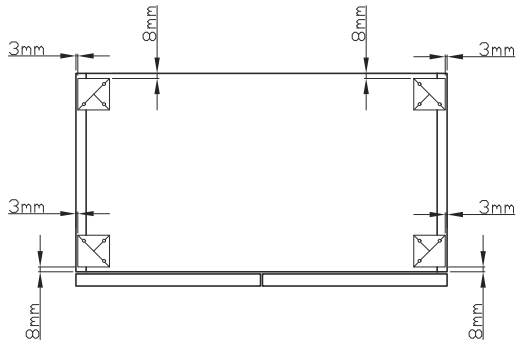


3.

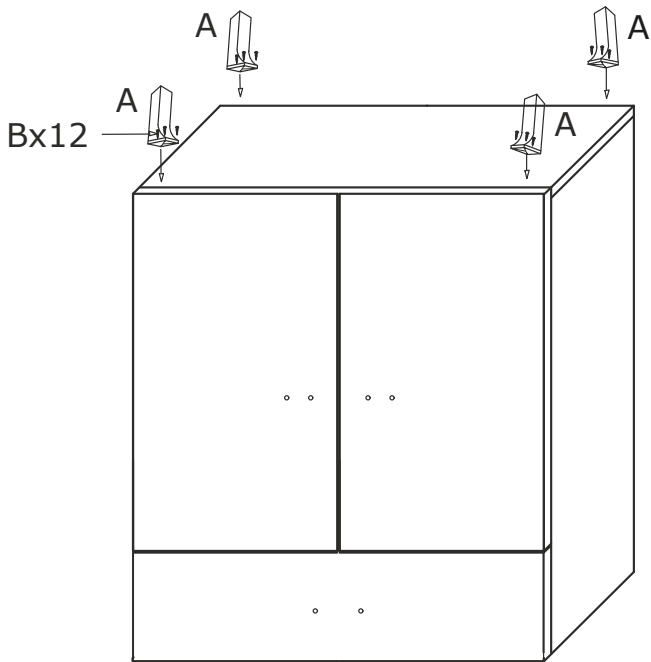


 A x 4	 B x 12	 C x 2	 D x 4	
--	---	--	--	---

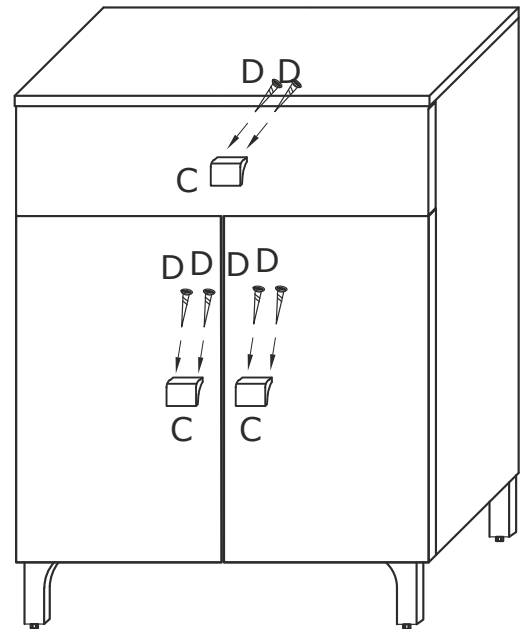
1.


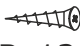


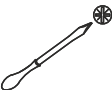


2.



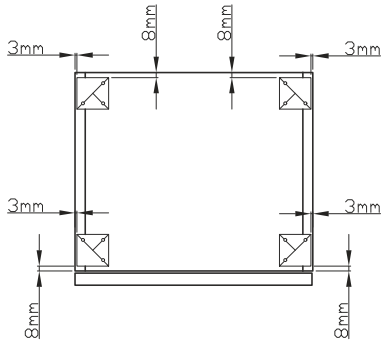
3.



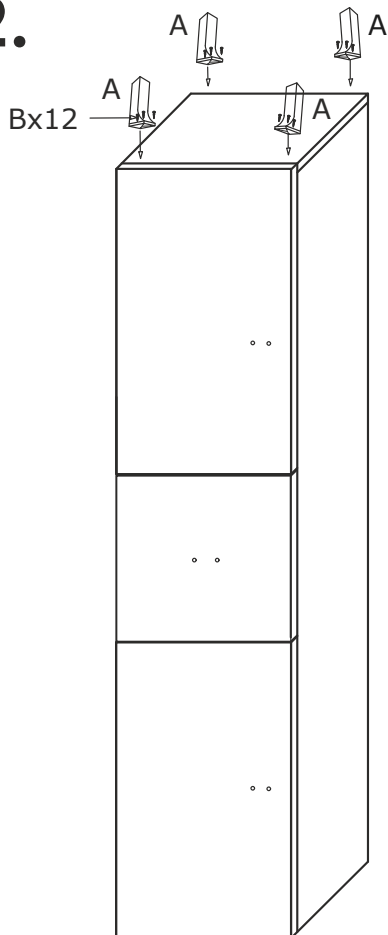
 A x 4	 3.2X19 B x 12	 C x 3	 4.2X25 D x 6	
--	---	--	--	---

151D	151S
------	------

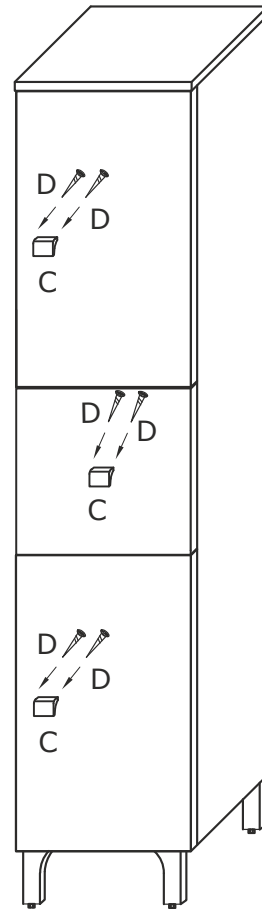
1.








2.

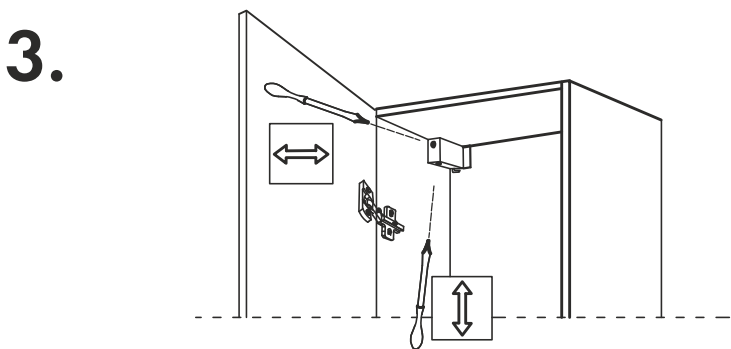
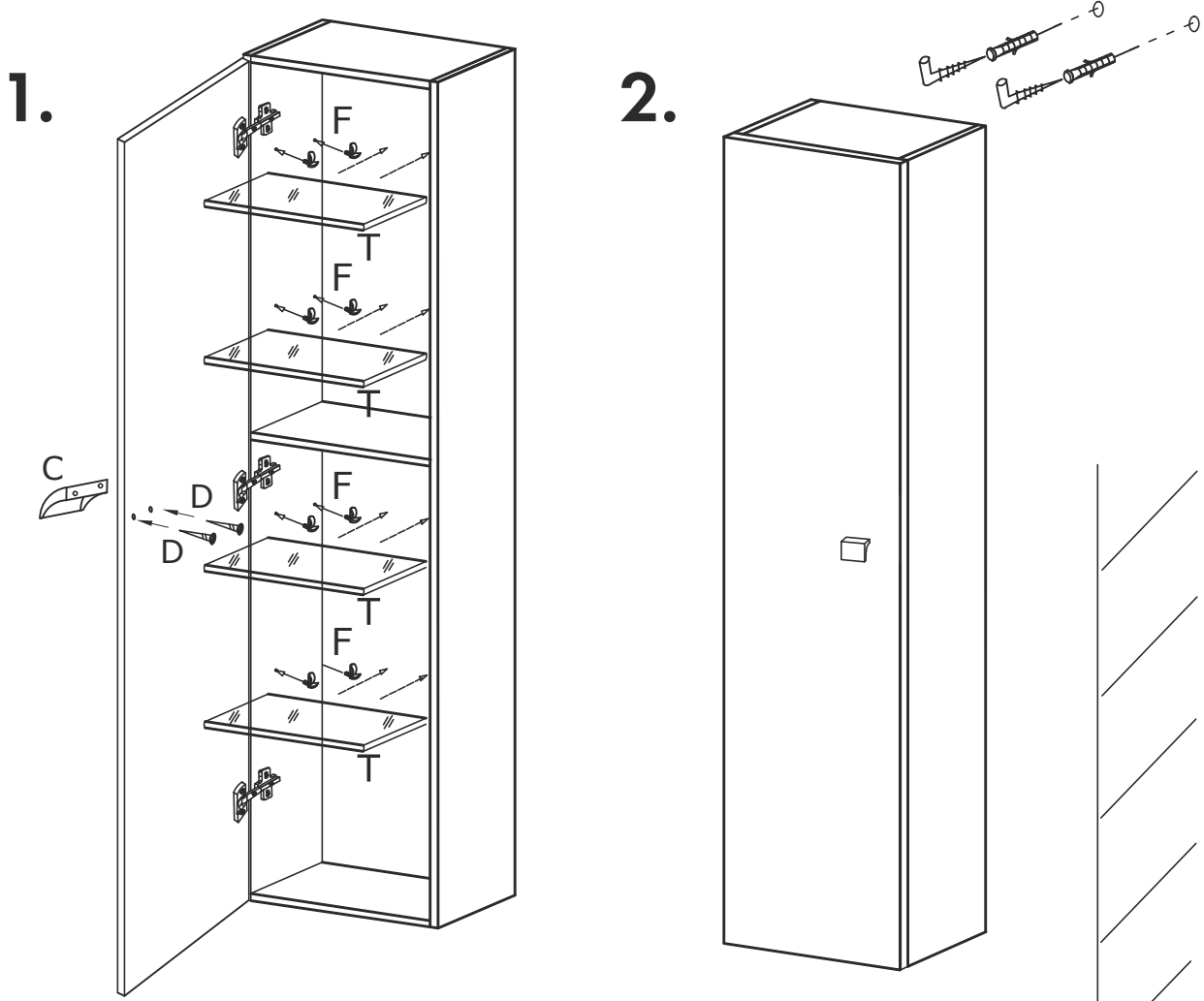



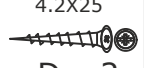





3.



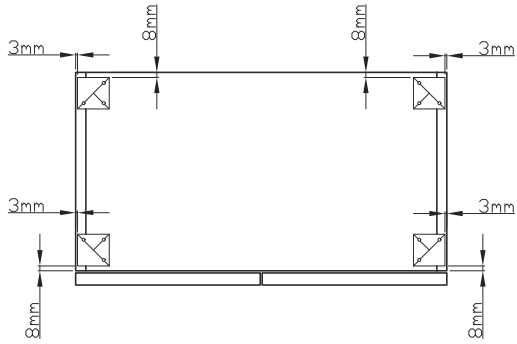
 A x 4	 B x 12	 C x 3	 D x 6	
--	---	--	--	---

153D	153D/94	153D/95	153D/96	153D/97	153D/98	153D/99
153S	153S/94	153S/95	153S/96	153S/97	153S/98	153S/99

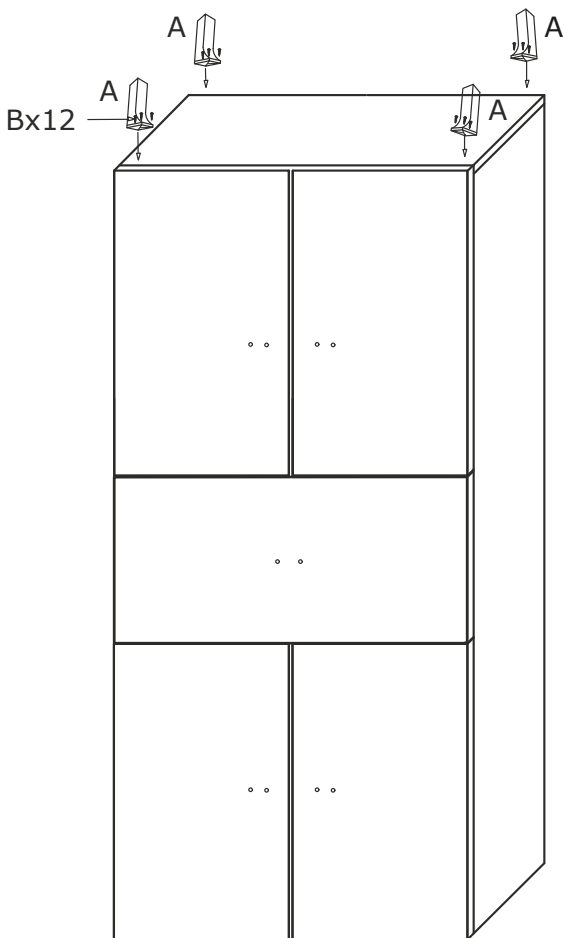


 C x 1	 4.2X25 D x 2	 F x 16	 T x 4			
--	--	---	--	---	---	---

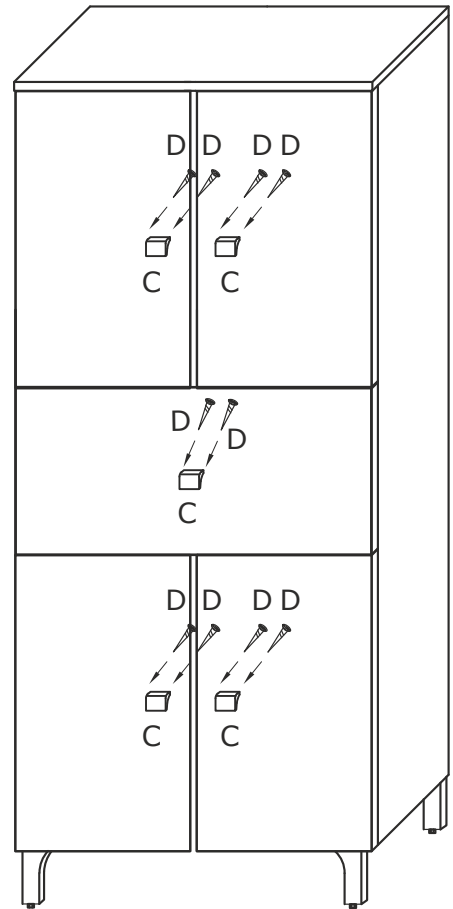
1.



2.



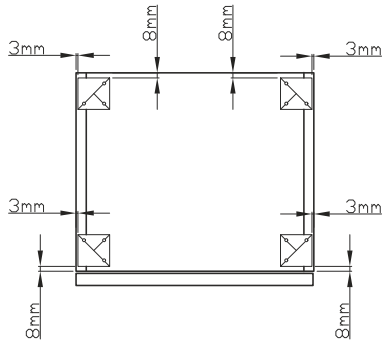
3.



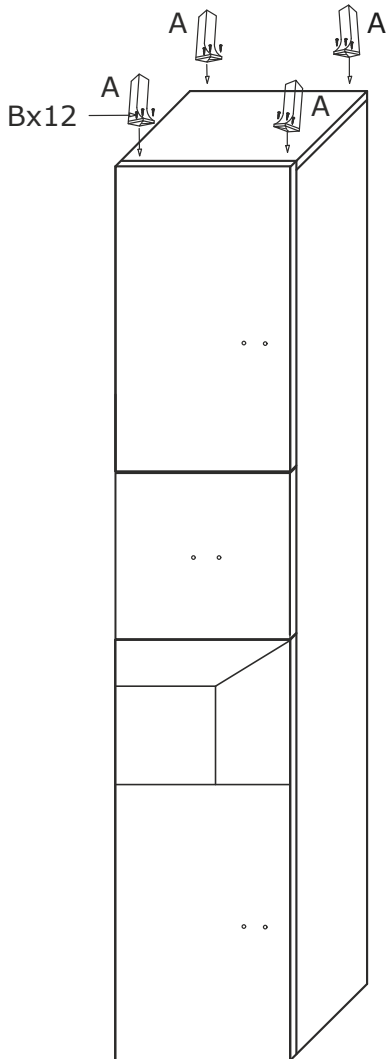
 A x 4	 Bx12	 C x 5	 D x 10	
--	---	--	---	---

161D	161S
------	------

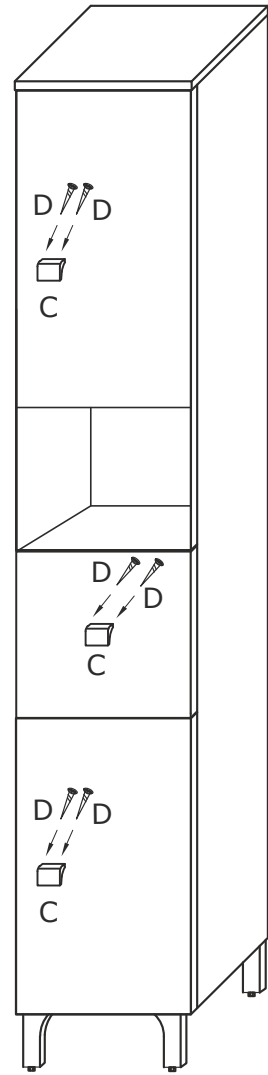
1.








2.

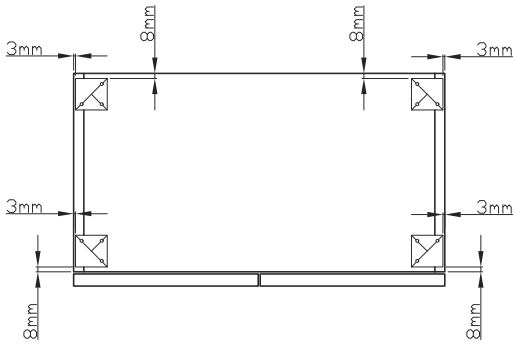


3.

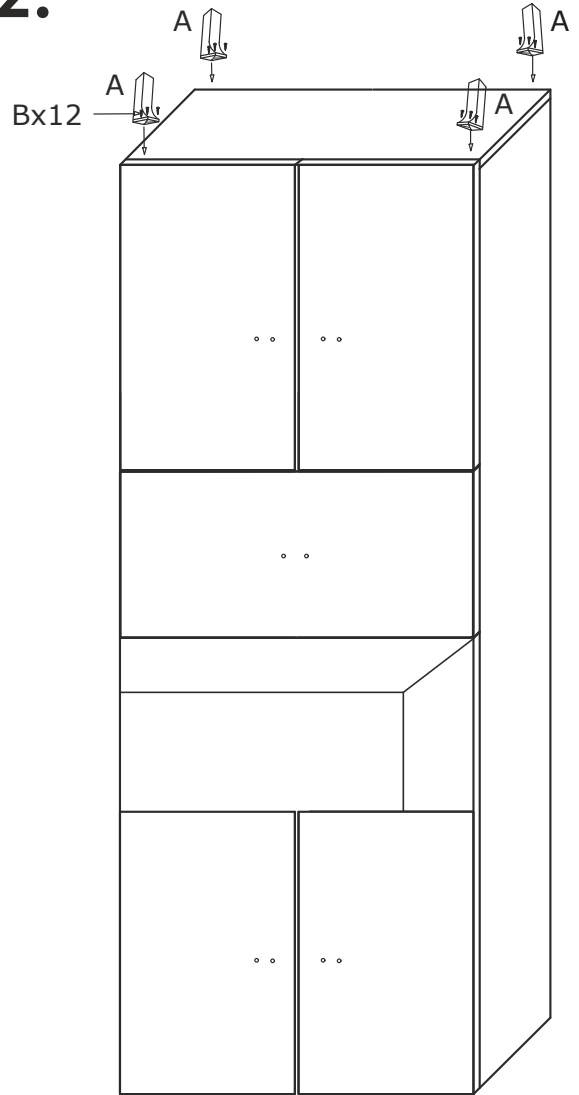


 A x 4	 Bx12	 C x 3	 D x 6	
--	---	--	--	---

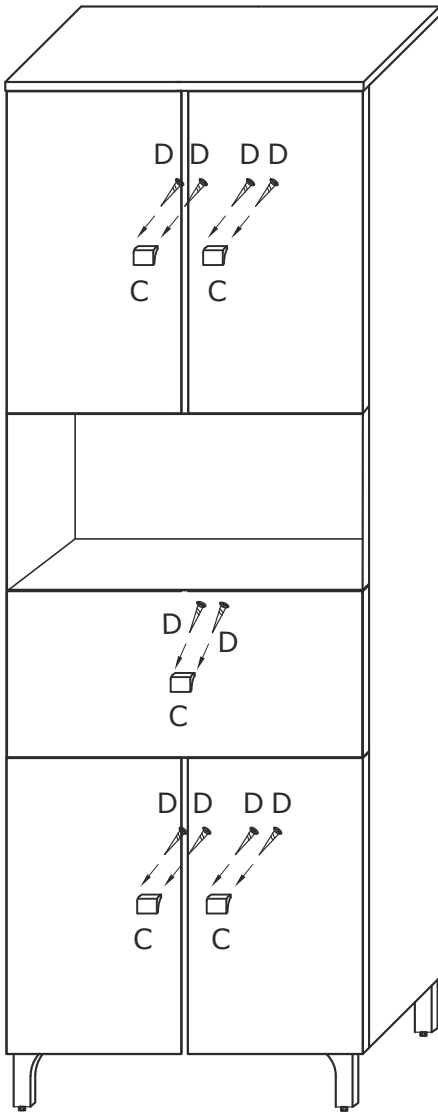
1.





2.



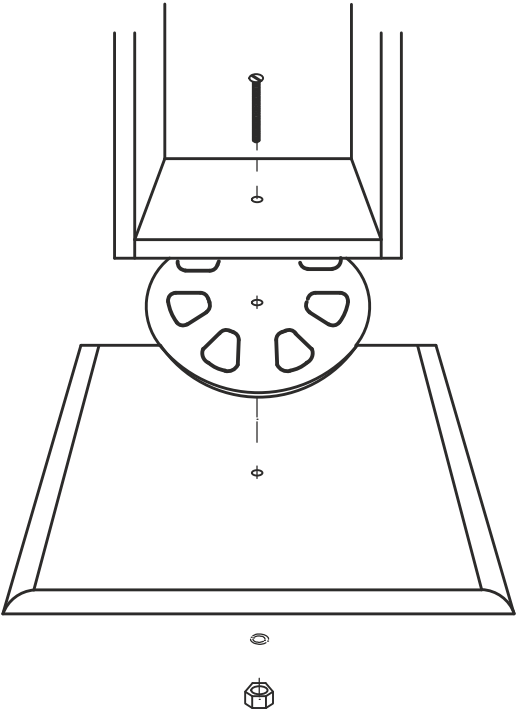
3.



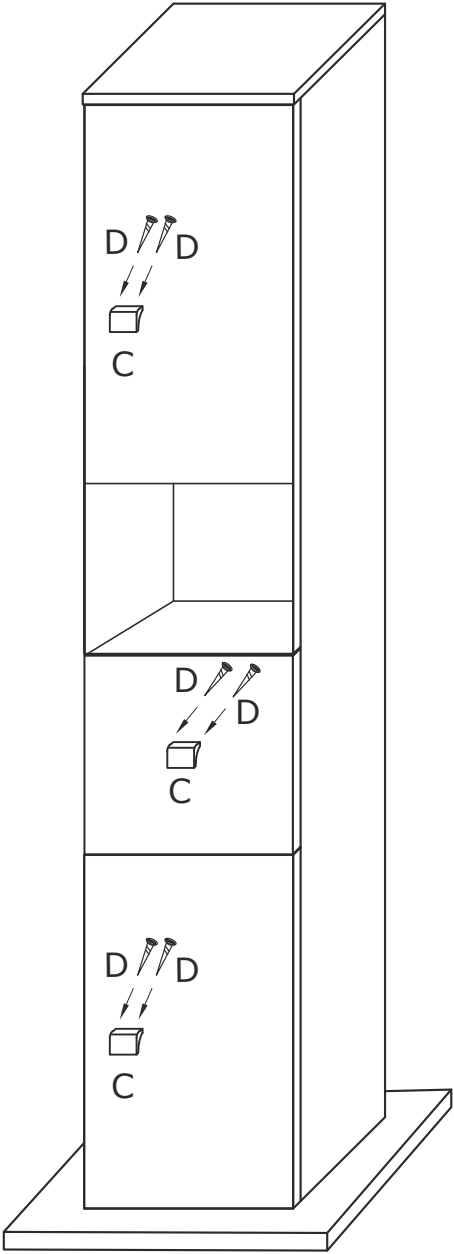
 A x 4	 Bx12	 C x 5	 D x 10	
--	---	--	---	---




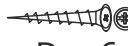
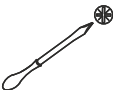
190D

1.



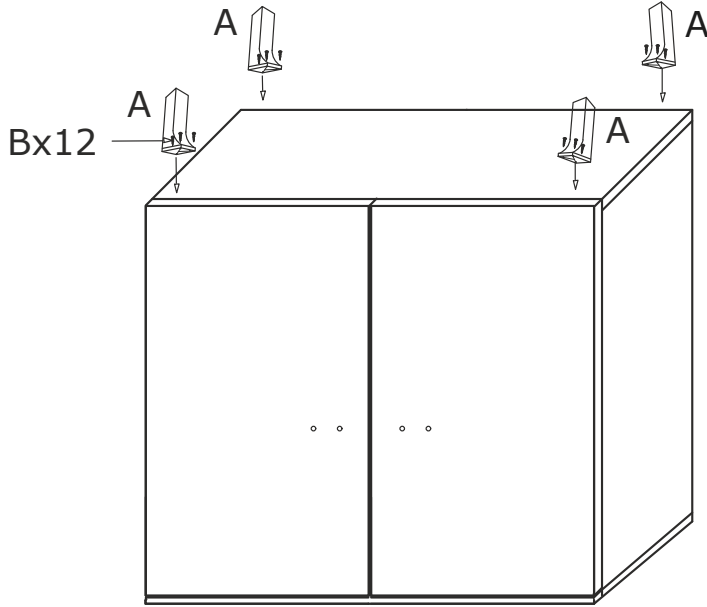
2.



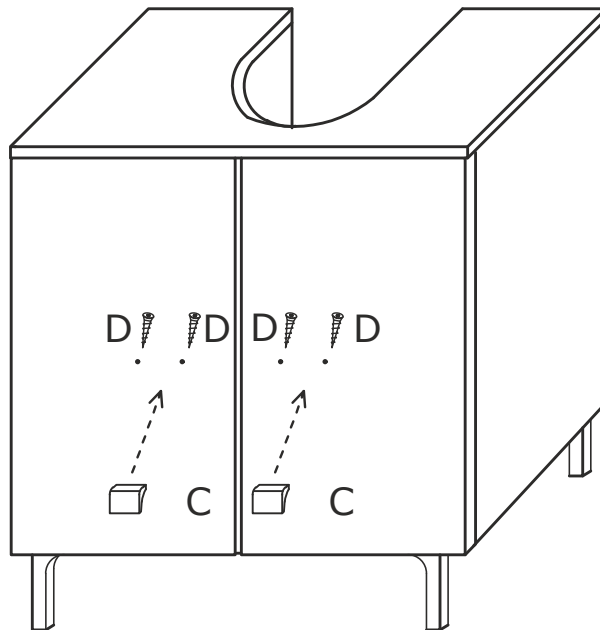
 A x 4	 3.2X19 B x 12	 C x 3	 4.2X25 D x 6	
--	---	--	--	---




192

1.



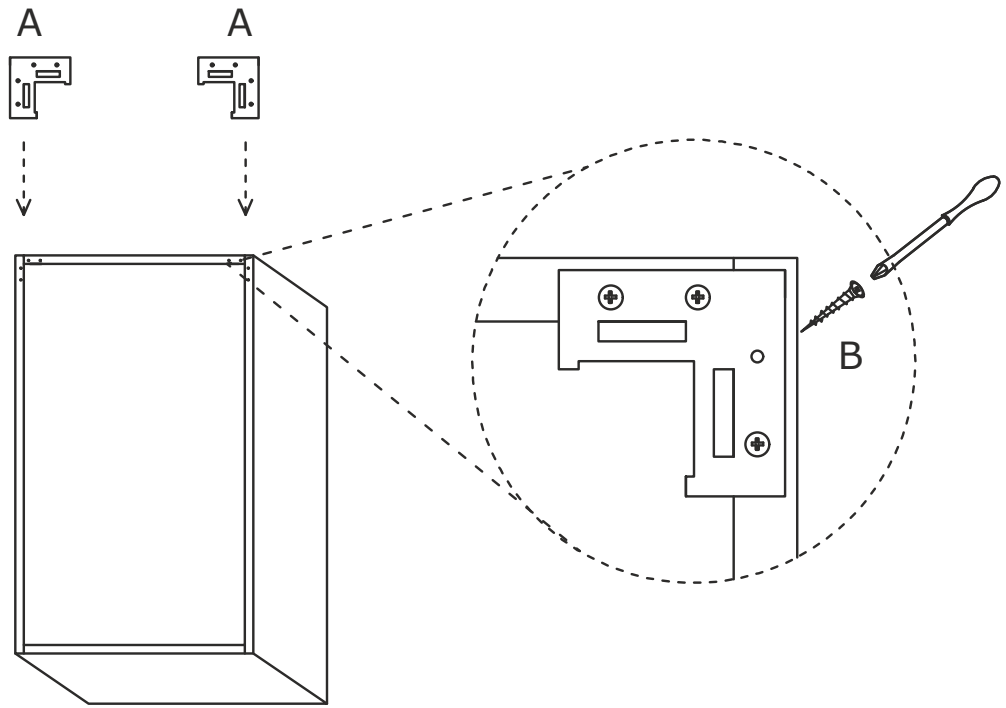
2.



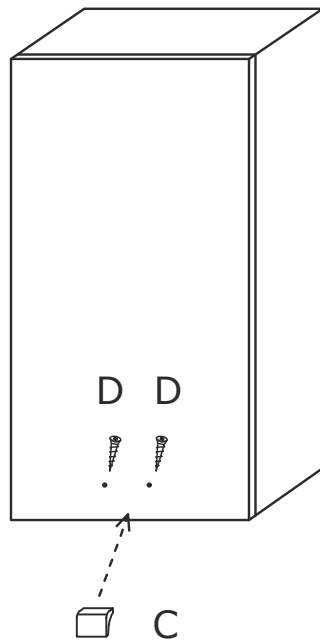
 A x 4	 3.2X19 B x 12	 C x 2	 4.2X25 D x 4	
--	---	--	--	---


182D

1.

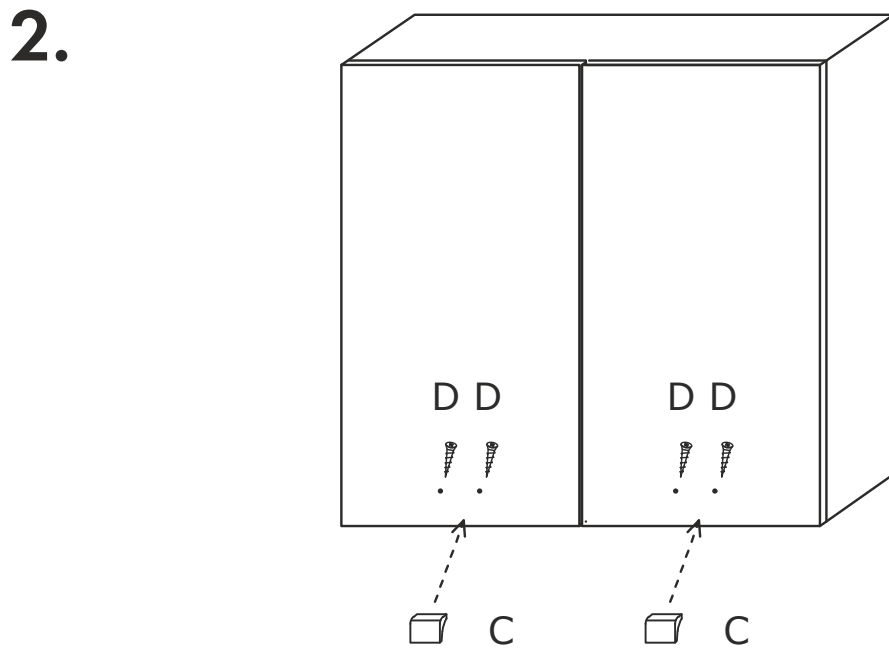
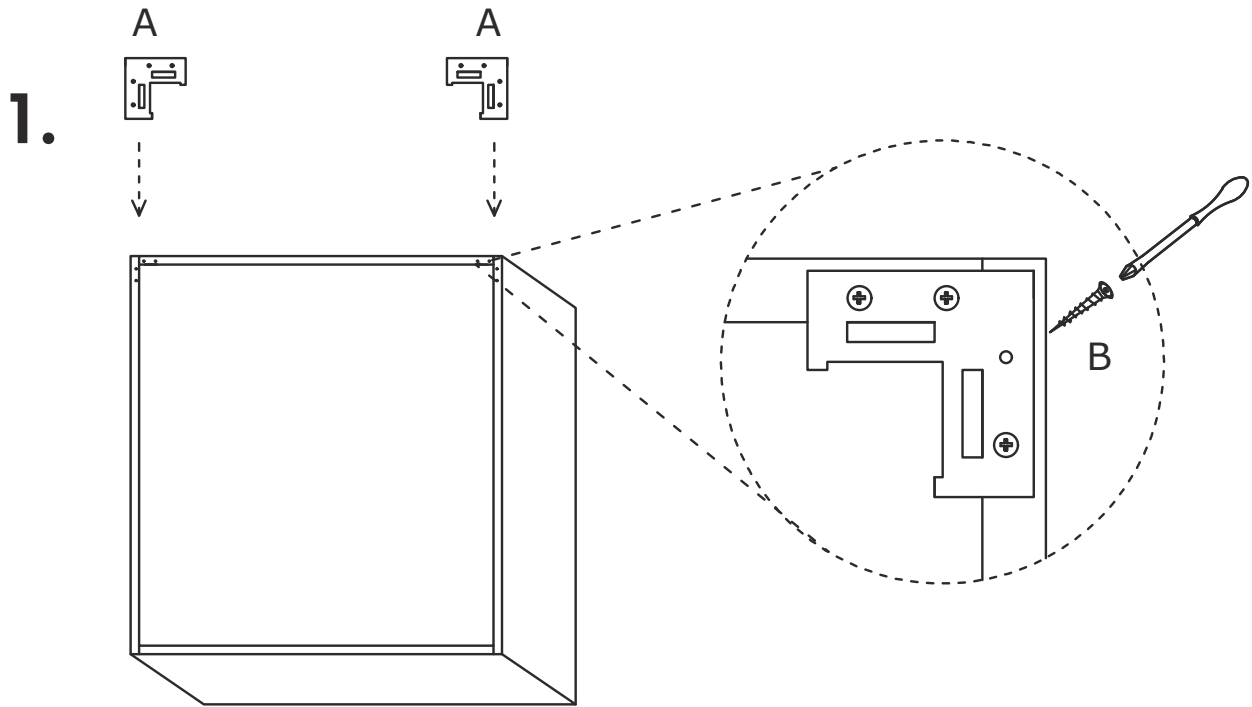







2.



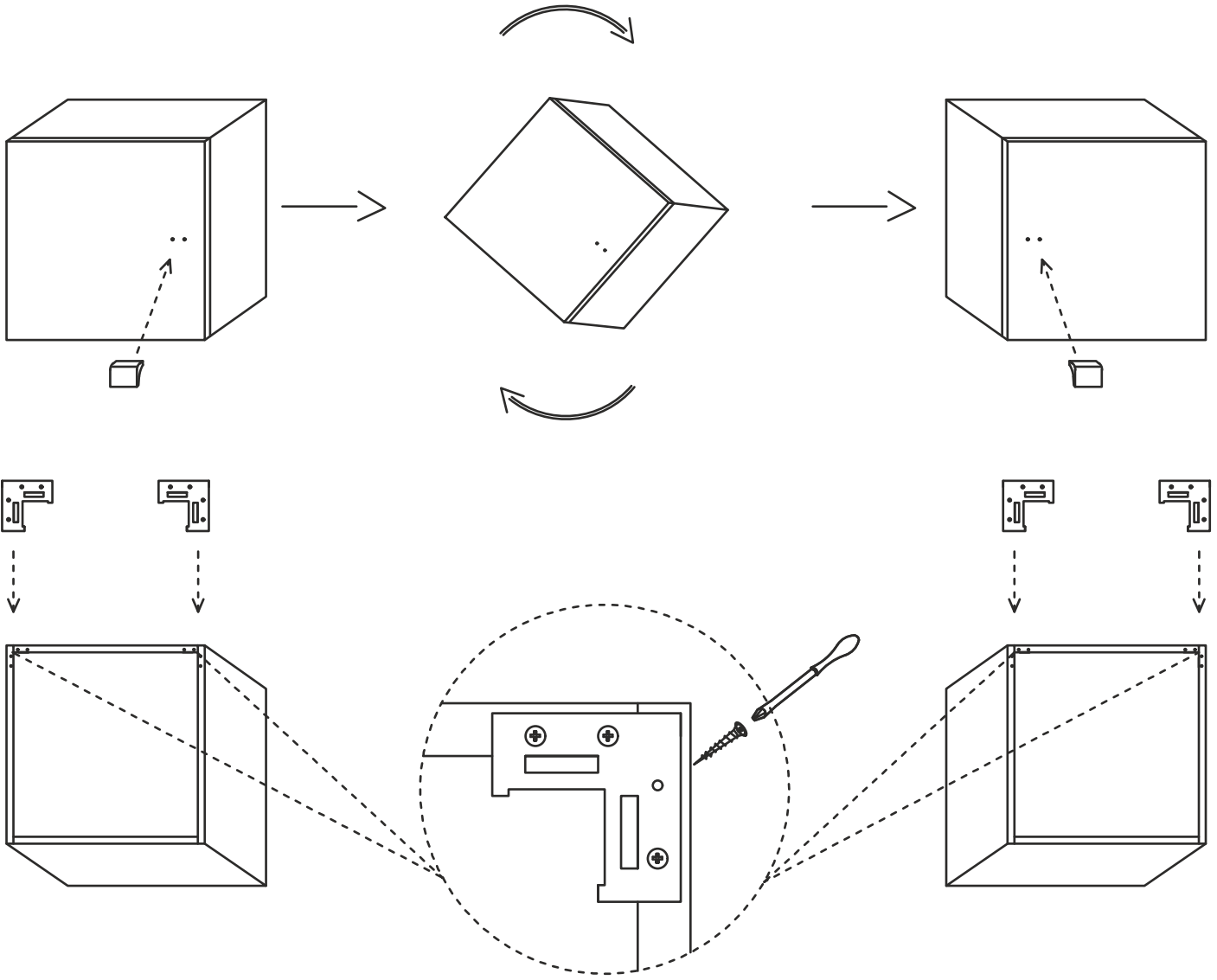
 A x 2	 B x 8	 C x 1	 D x 2	
--	--	--	---	---




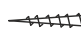

183



 A x 2	 B x 8	 C x 2	 D x 4	
--	--	--	---	---

184D	184D/94	184D/95	184D/96	184D/97	184D/98	184D/99
------	---------	---------	---------	---------	---------	---------



 A x 2	 B x 8	 C x 1	 D x 2	
--	--	--	--	---