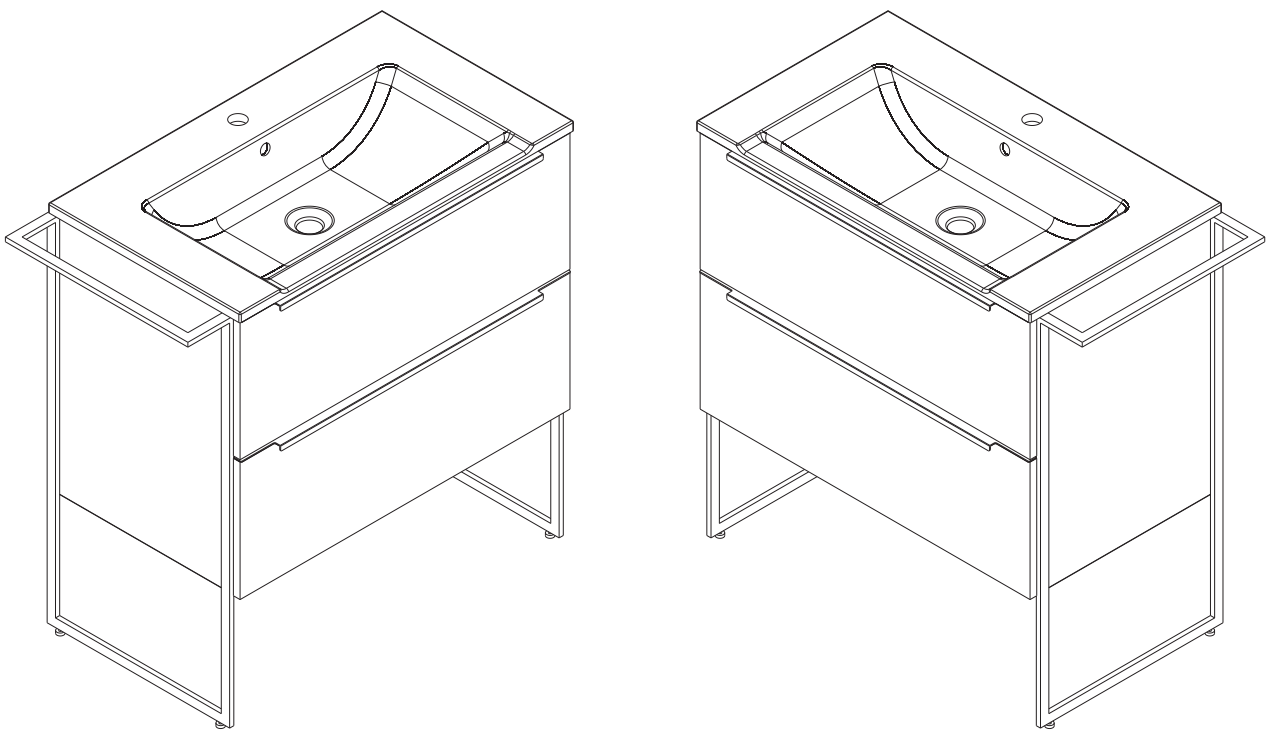


Wellis®



EN

Jersey bathroom furniture INSTALLATION GUIDE

HU

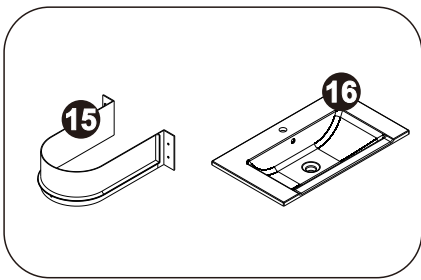
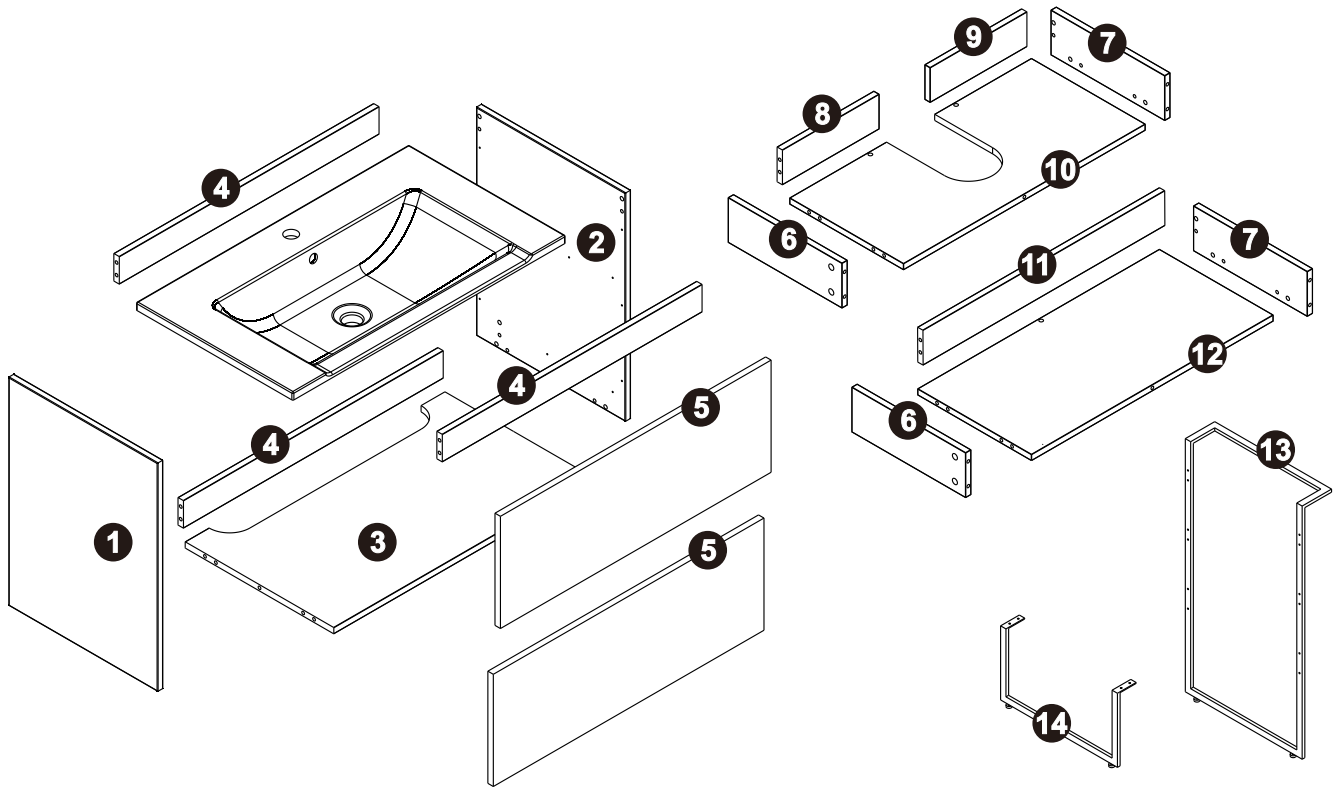
Jersey fürdőszobabútor TELEPÍTÉSI ÚTMUTATÓ


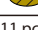
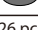

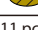
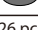

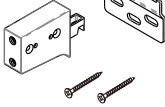

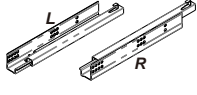
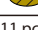
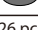

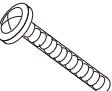

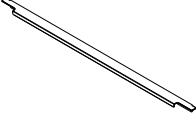
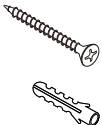
WB00319
WB00320



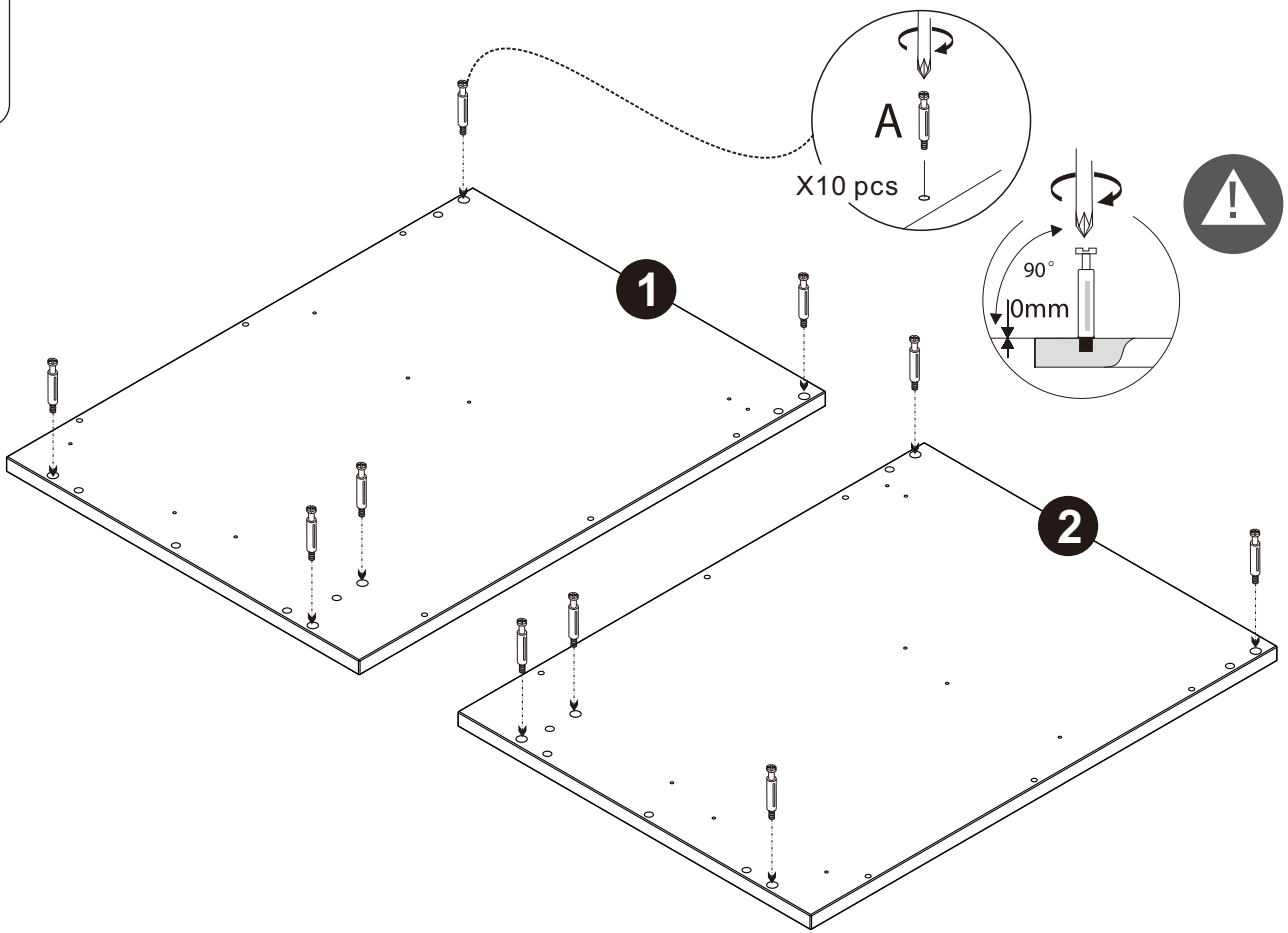
2h

L=91 cm
H=85 cm
P=46 cm



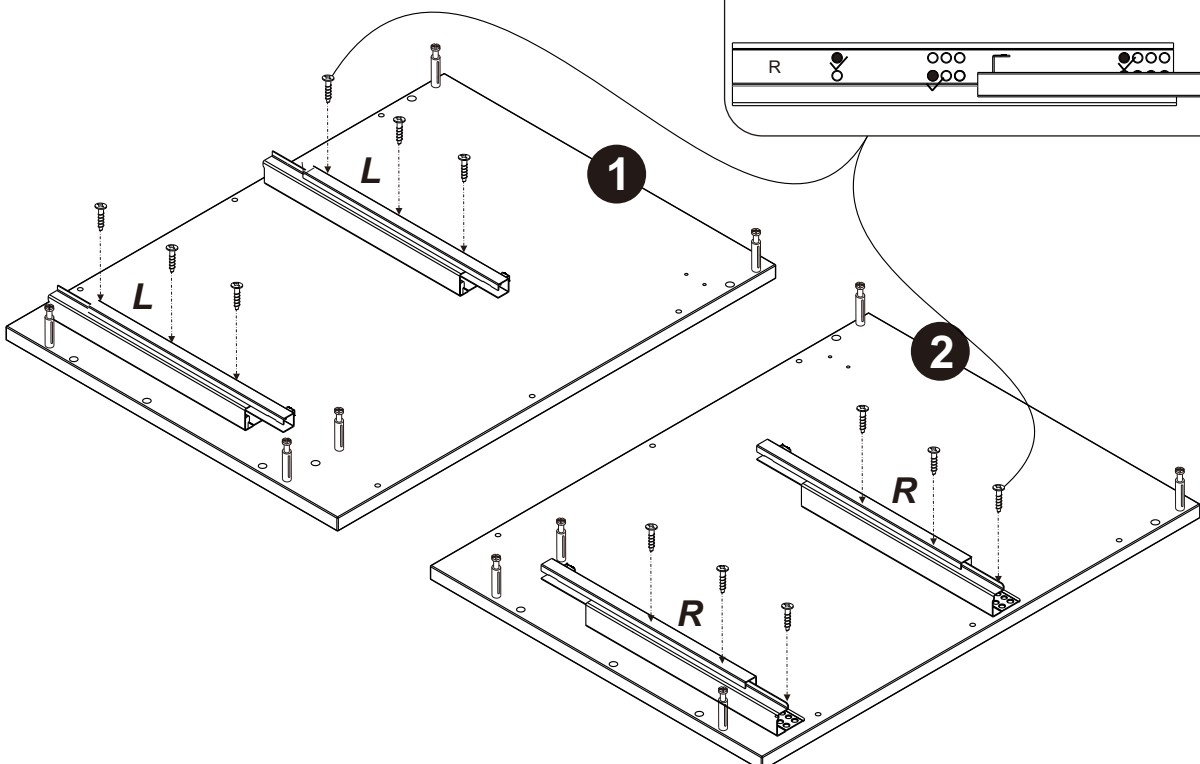
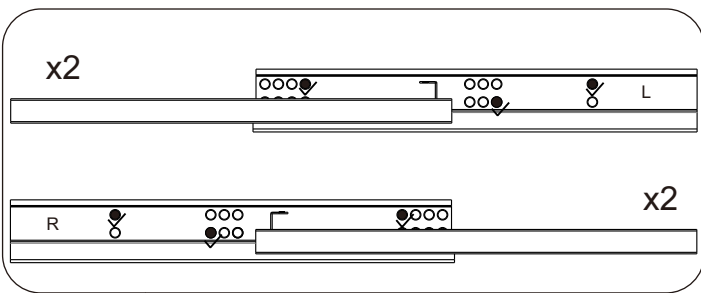
<p>A</p>  <p>x 35+1 pcs</p>	<p>B</p> <table border="1"> <tr> <td></td> <td></td> </tr> <tr> <td>B1</td> <td>B2</td> </tr> </table> <p>11 pcs 26 pcs</p>  <p>x 35+2 pcs</p>			B1	B2	<p>C</p> <p>φ 8*40mm</p>  <p>x 24+1 pcs</p>	<p>D</p> <p>ST4*30mm</p>  <p>x 2 pcs</p>	<p>E</p> <p>ST4*14mm</p>  <p>x 21+1 pc</p>	<p>F</p>  <p>x 2 pcs</p>
									
B1	B2								
<p>G</p> <p>ST4*25mm</p>  <p>x 4 pcs</p>	<p>H</p> <p>M4*20mm</p>  <p>x 6 pcs</p>	<p>J</p>  <p>ST3*14mm</p>  <p>x 2 pcs</p>	<p>K</p> <p>ST5*40mm</p>  <p>x 4 pcs</p>						

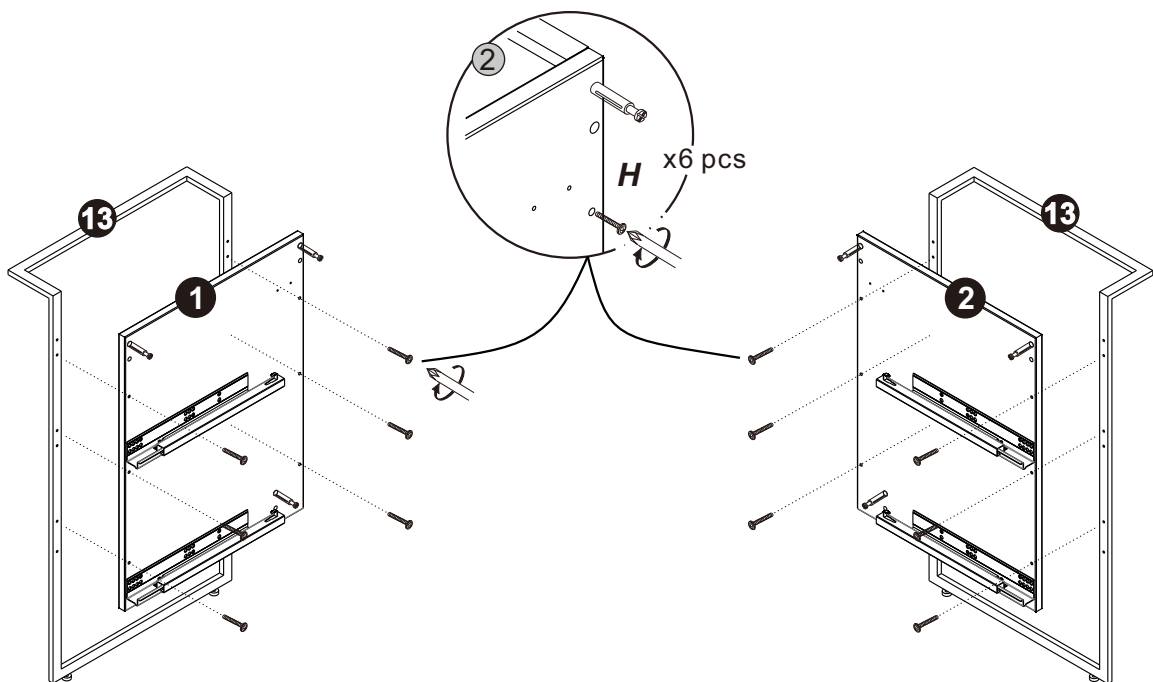
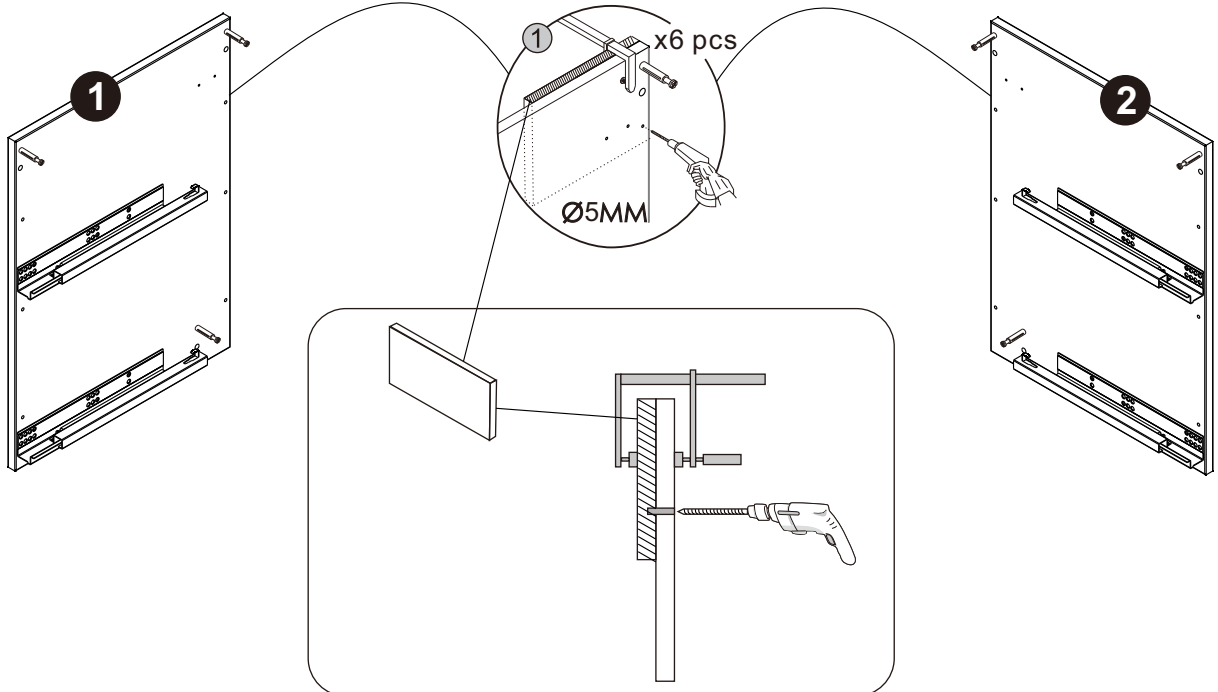
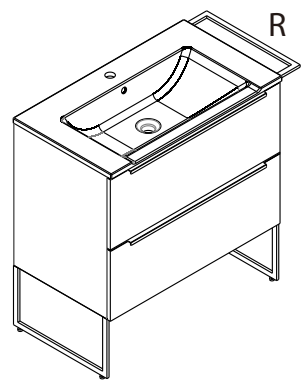
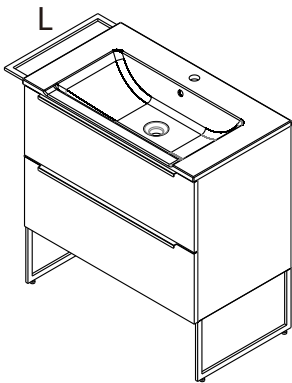
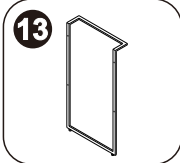
A
x 10 pcs



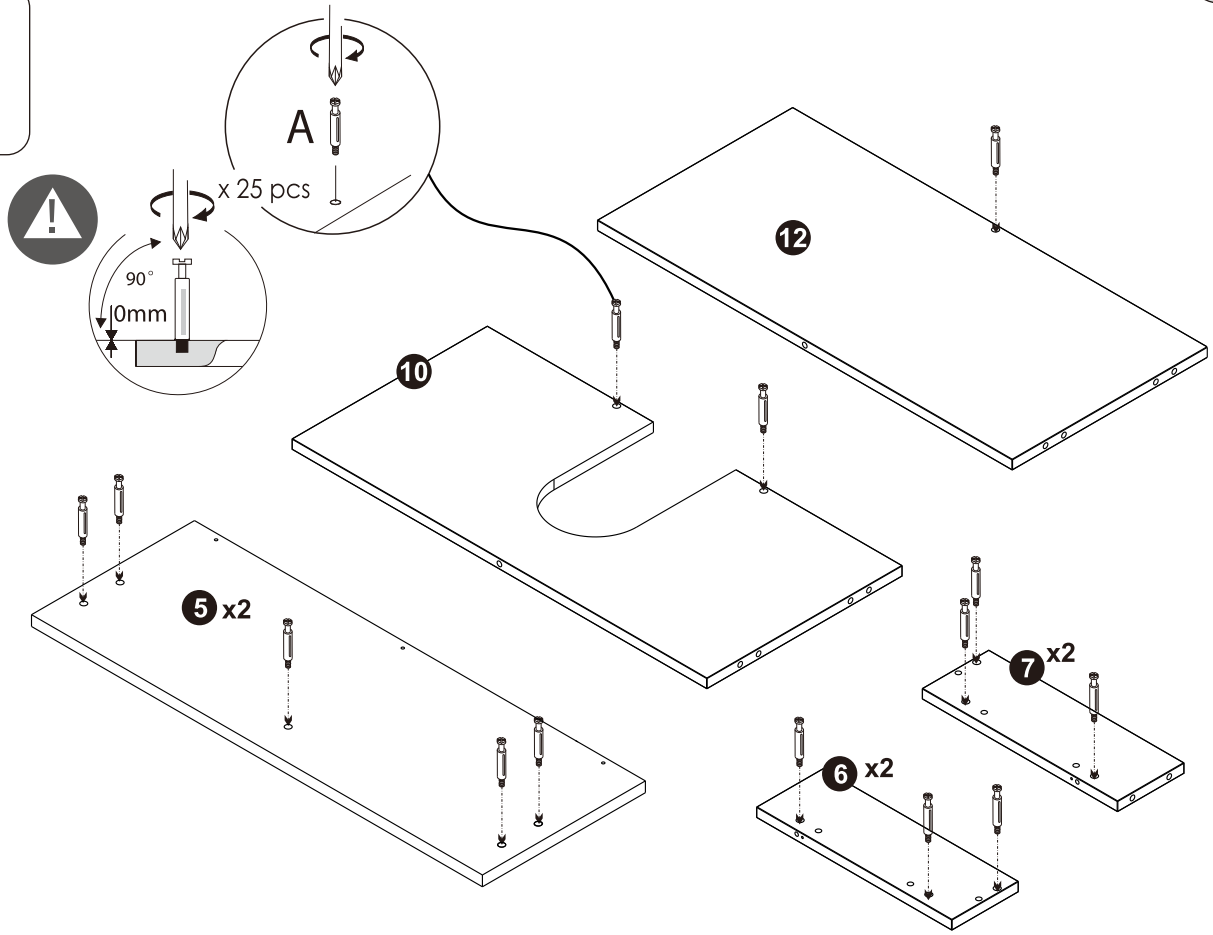
F
x 2 pcs

E ST4*14mm
x 12 pcs

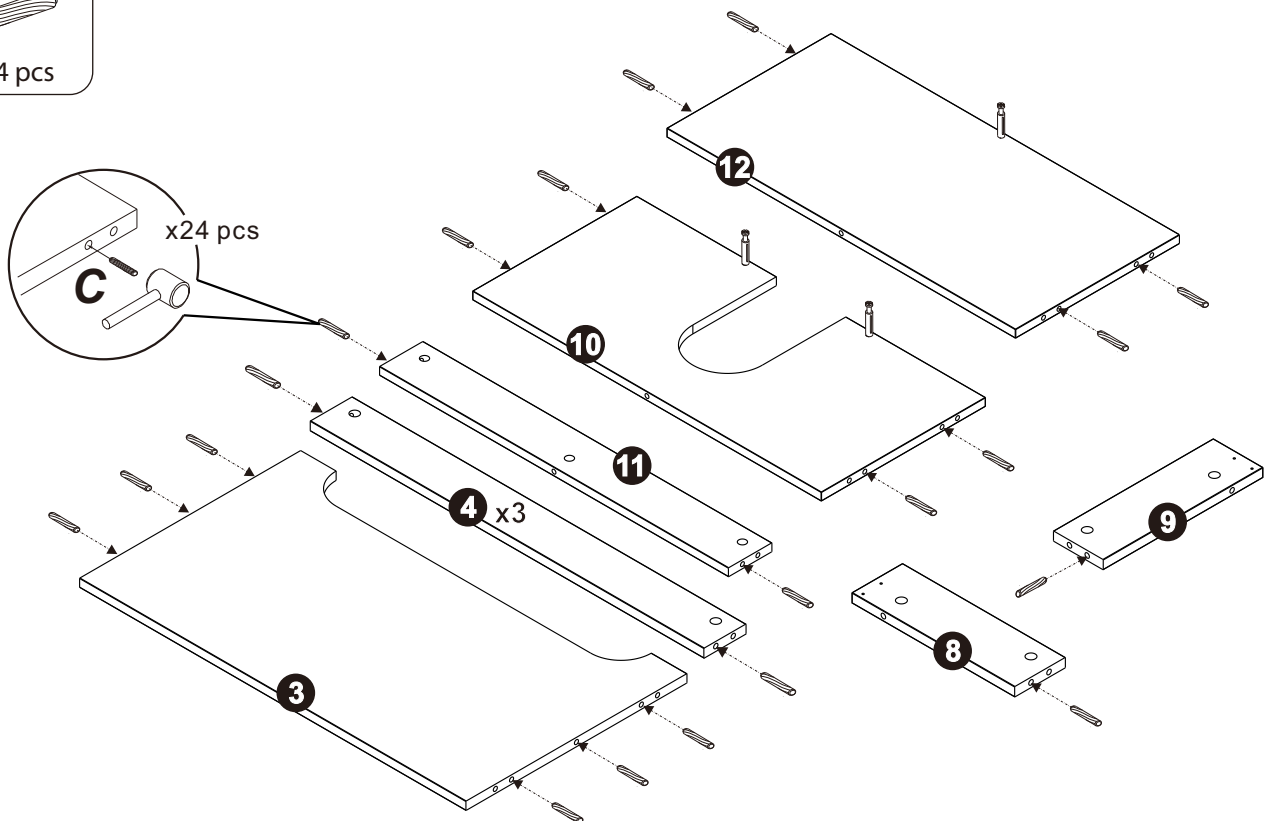


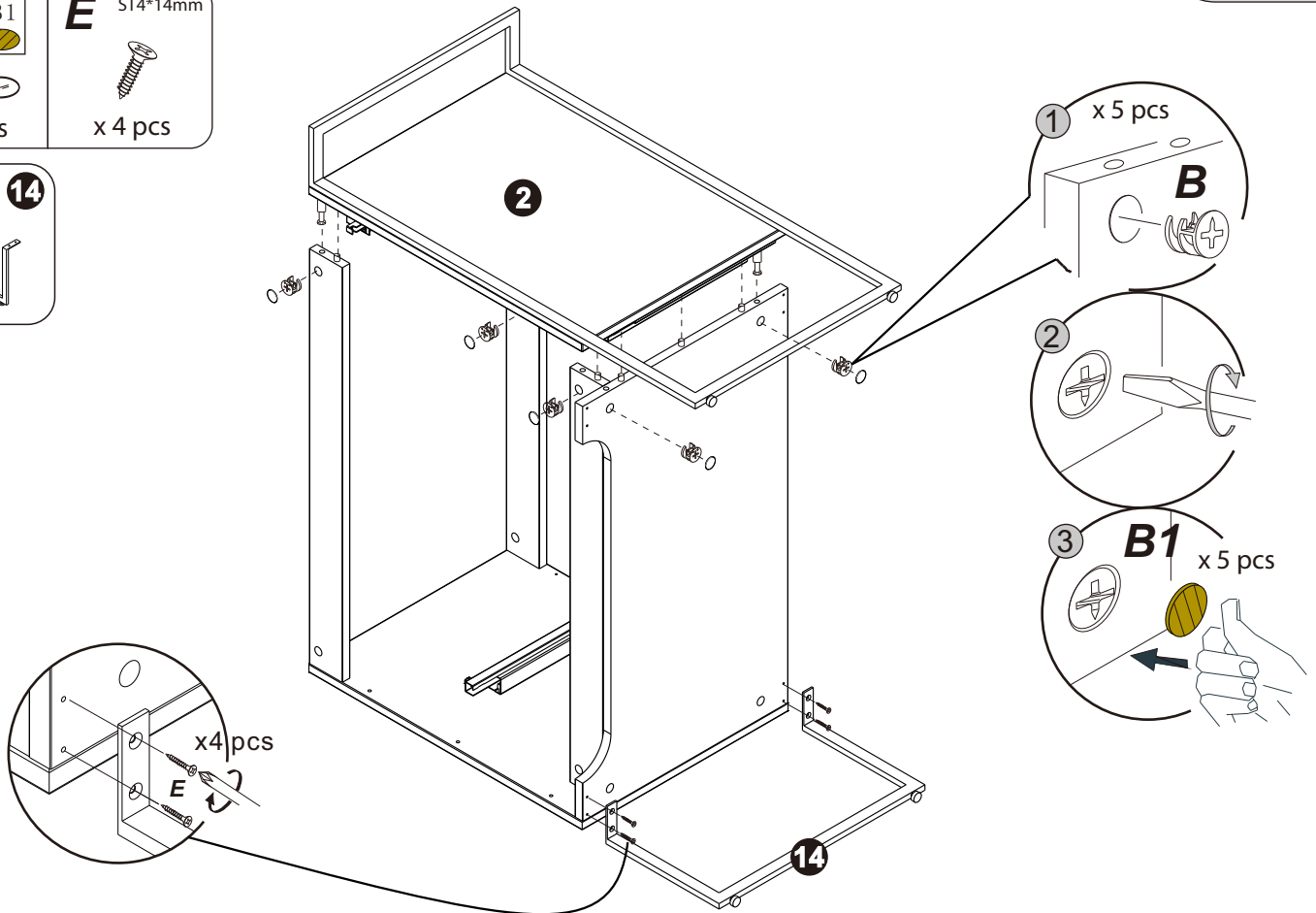
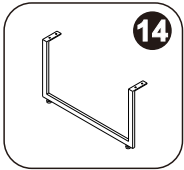
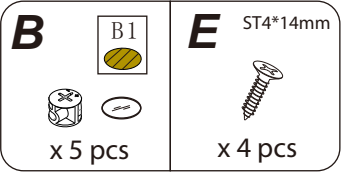
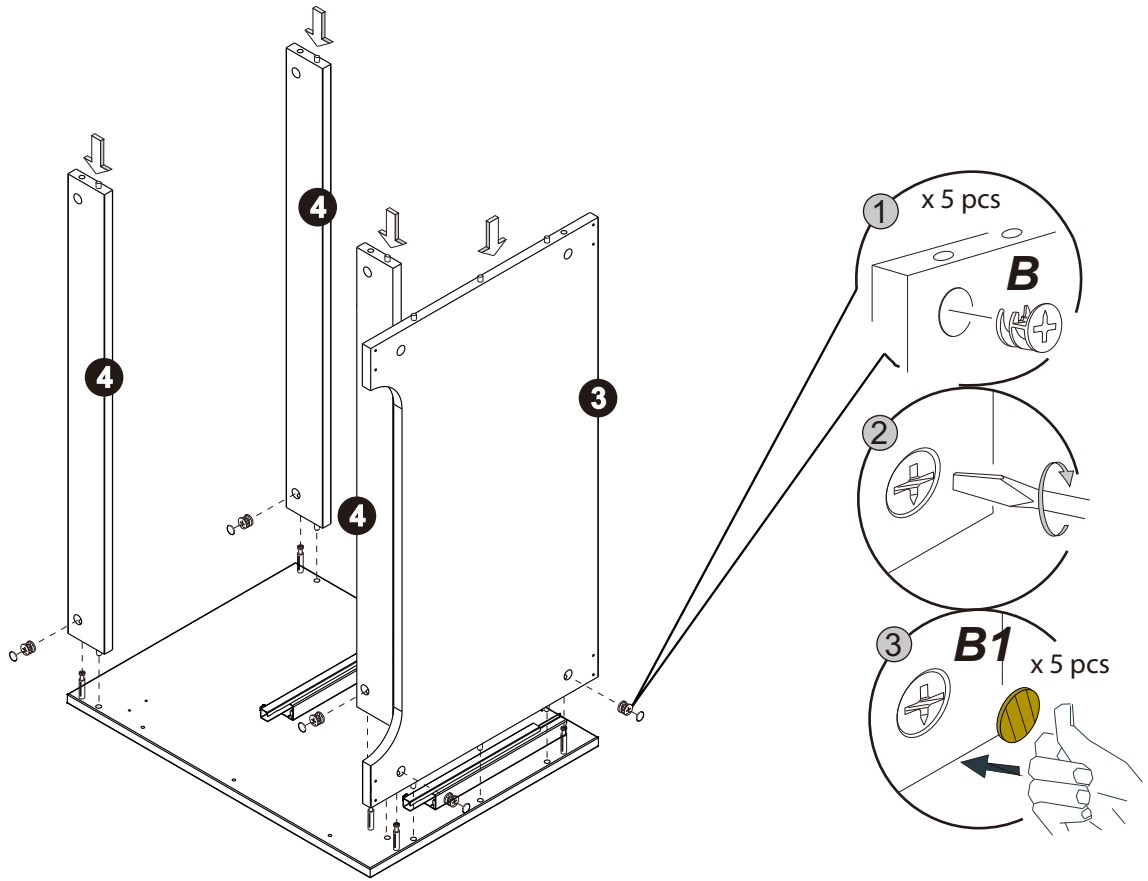
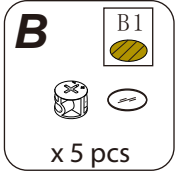


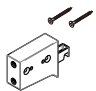
A
x 25 pcs

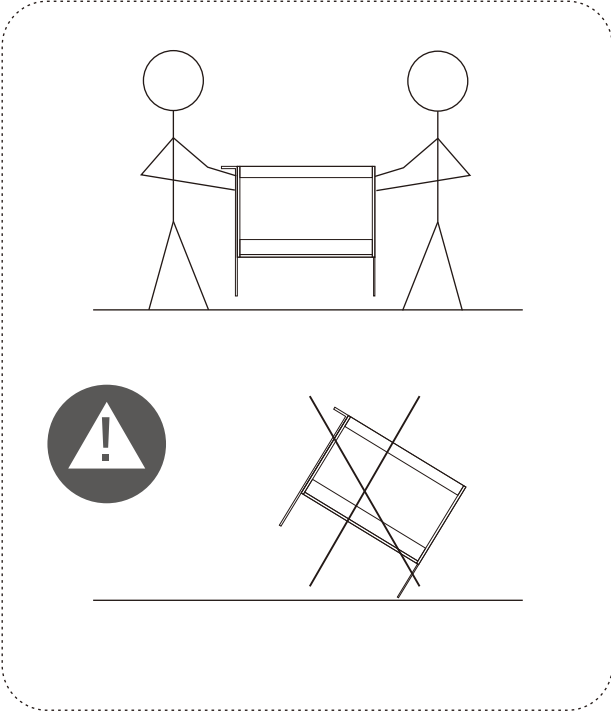


C $\phi 8 \times 40\text{mm}$
x 24 pcs

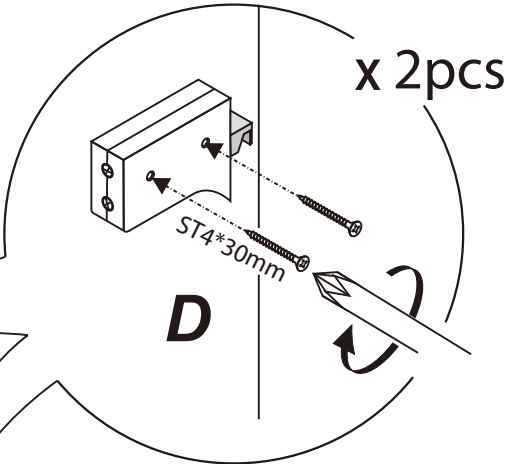




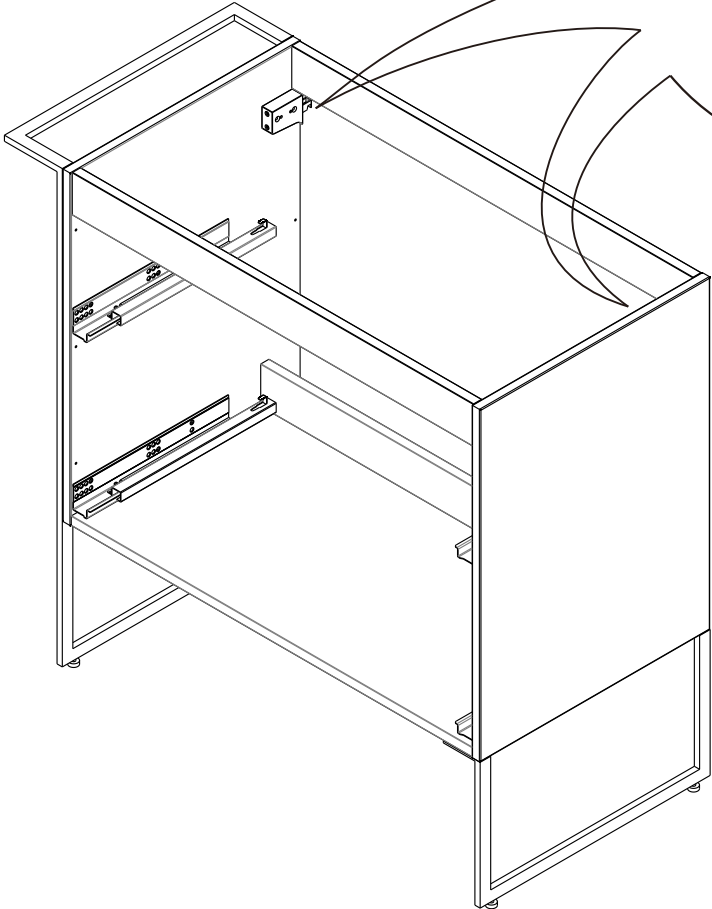
D ST4*30mm

x 2 pcs

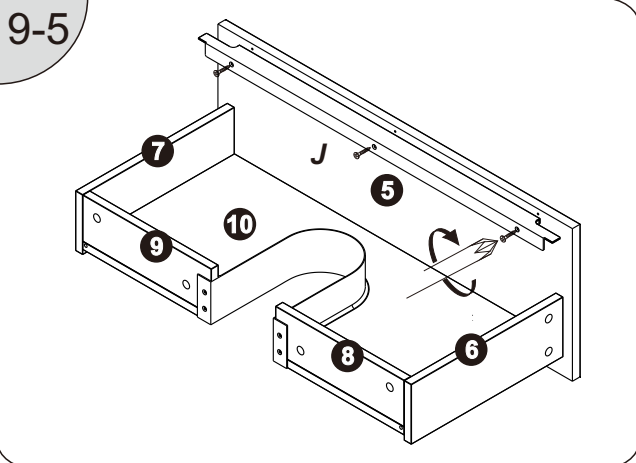
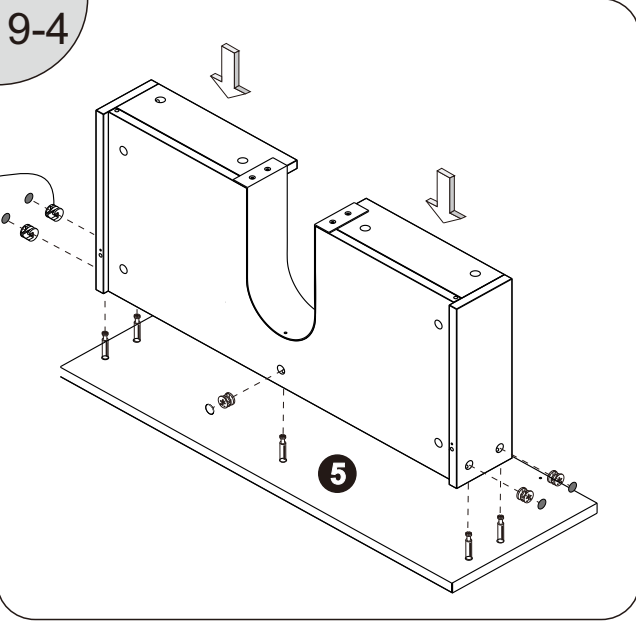
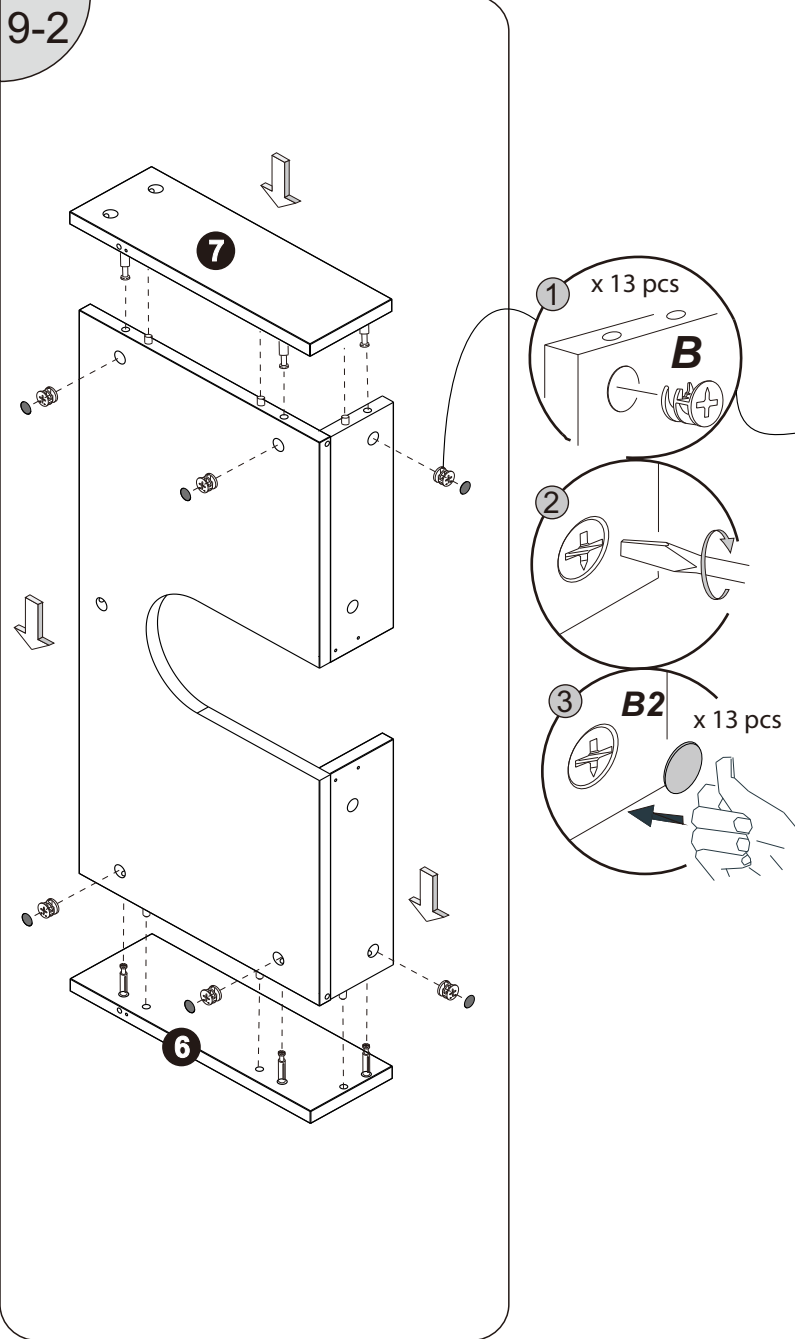
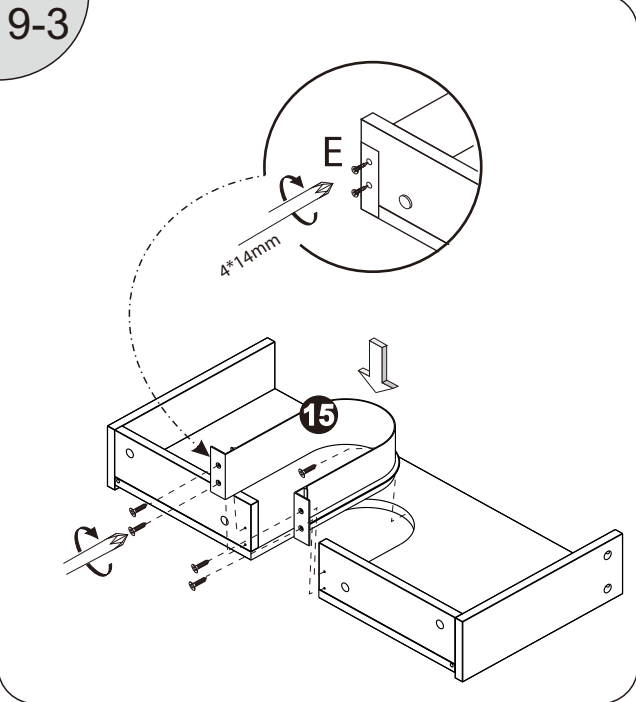
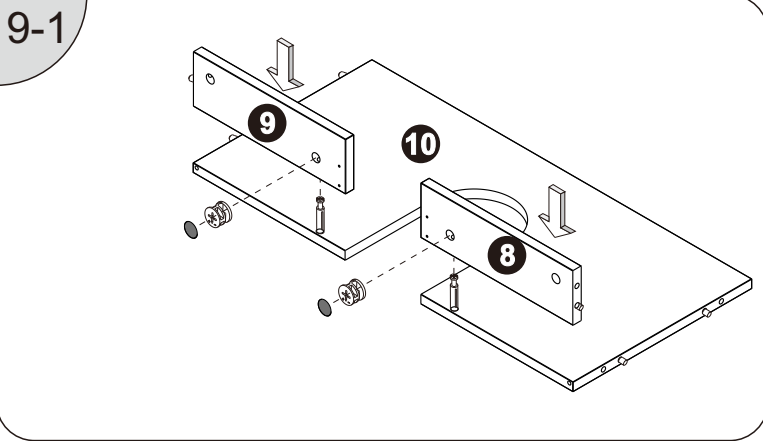
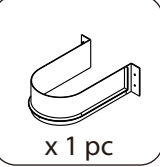
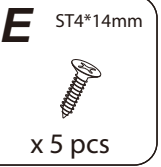
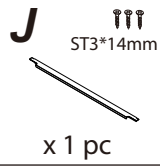
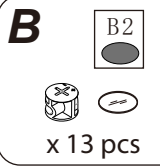





A safety diagram enclosed in a dashed border. The top part shows two stick figures holding a table from behind. The bottom part shows a warning icon (a triangle with an exclamation mark) next to a tilted table, indicating that the table should be kept stable and not tilted.

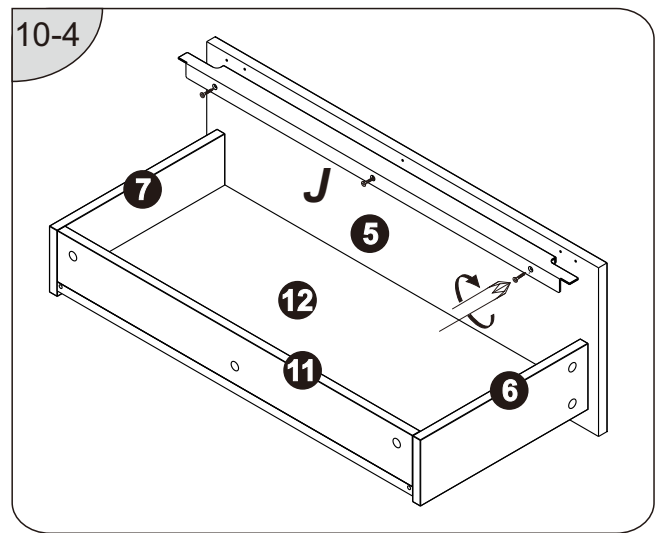
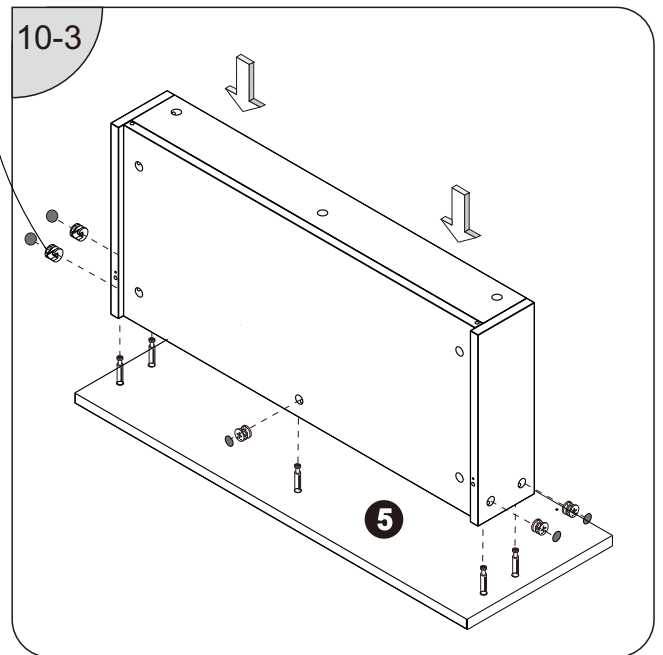
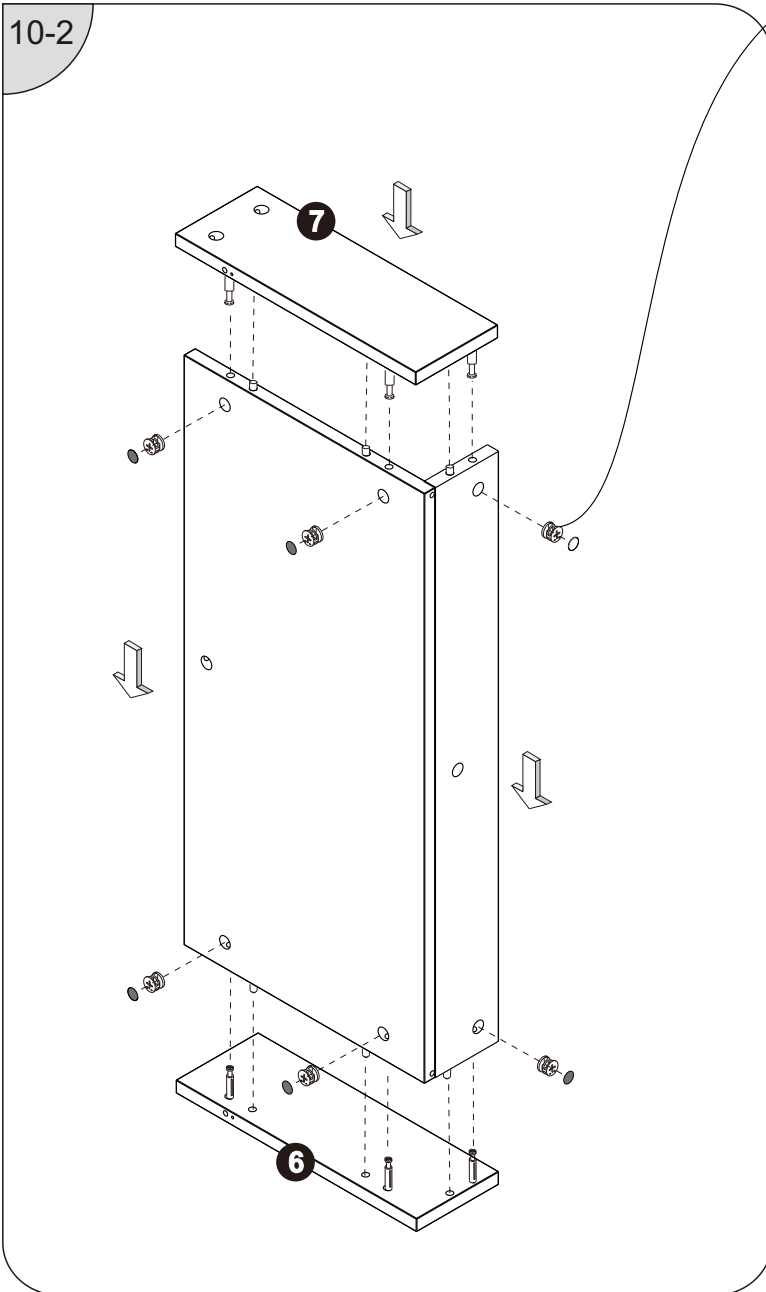
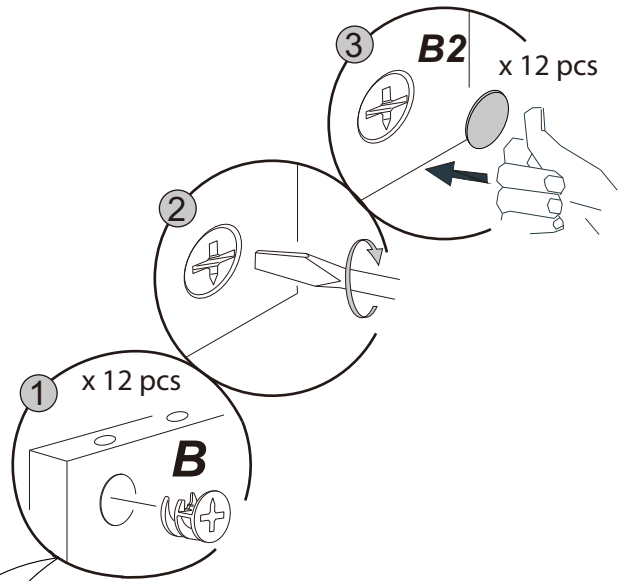
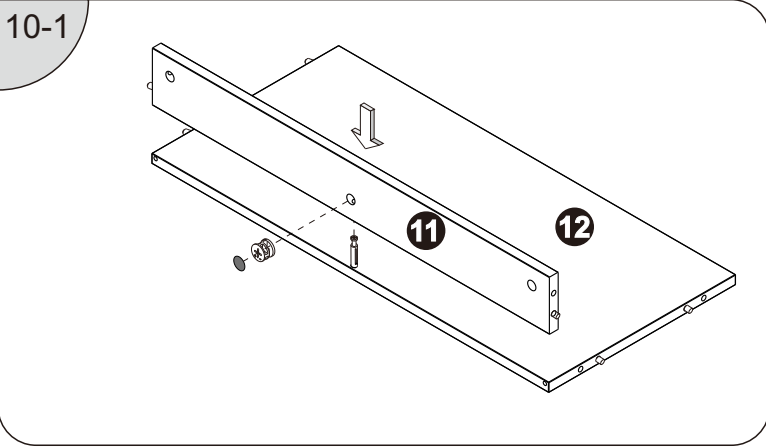


A circular callout showing a close-up of the screw installation. A screw labeled 'ST4*30mm' is being inserted into a bracket labeled 'D'. The text 'x 2 pcs' is written above the callout. A pencil is shown pointing to the screw, and curved arrows indicate the direction of rotation.





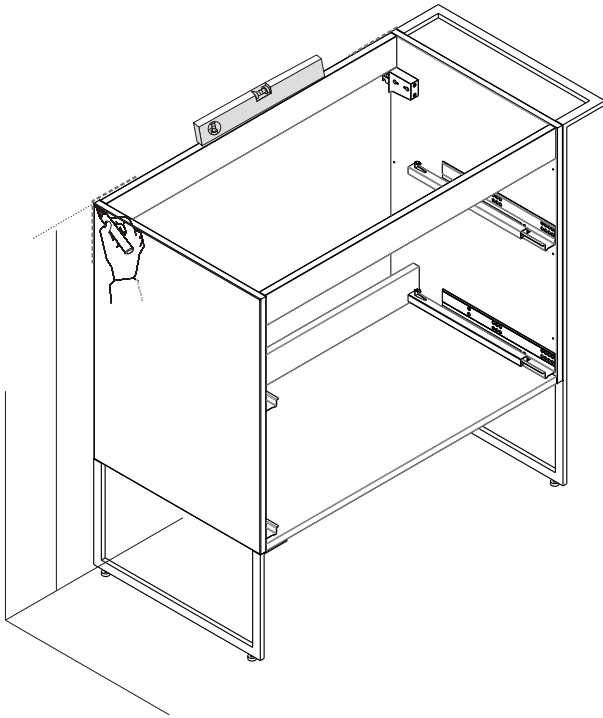
B	B2	J
		
x 12 pcs		x 1 pc



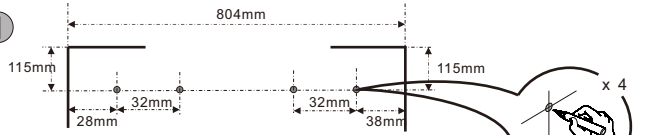
K



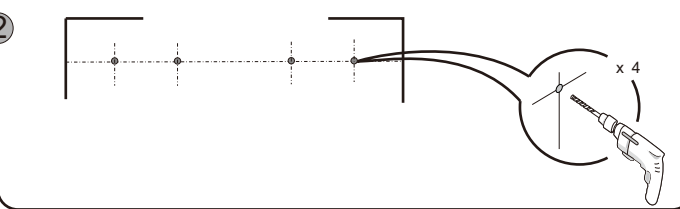
x 4 pcs



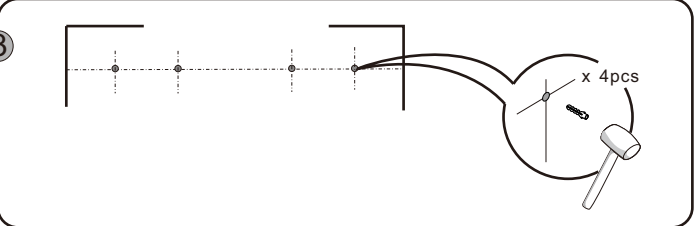
1



2



3



D



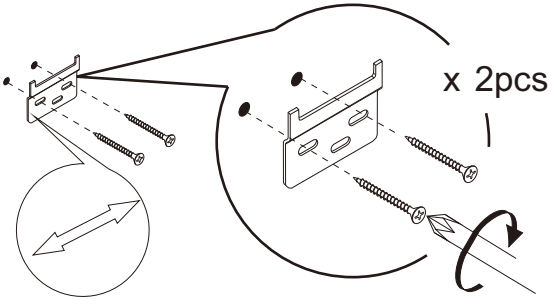
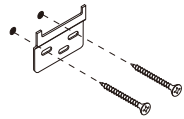
x 2 pcs

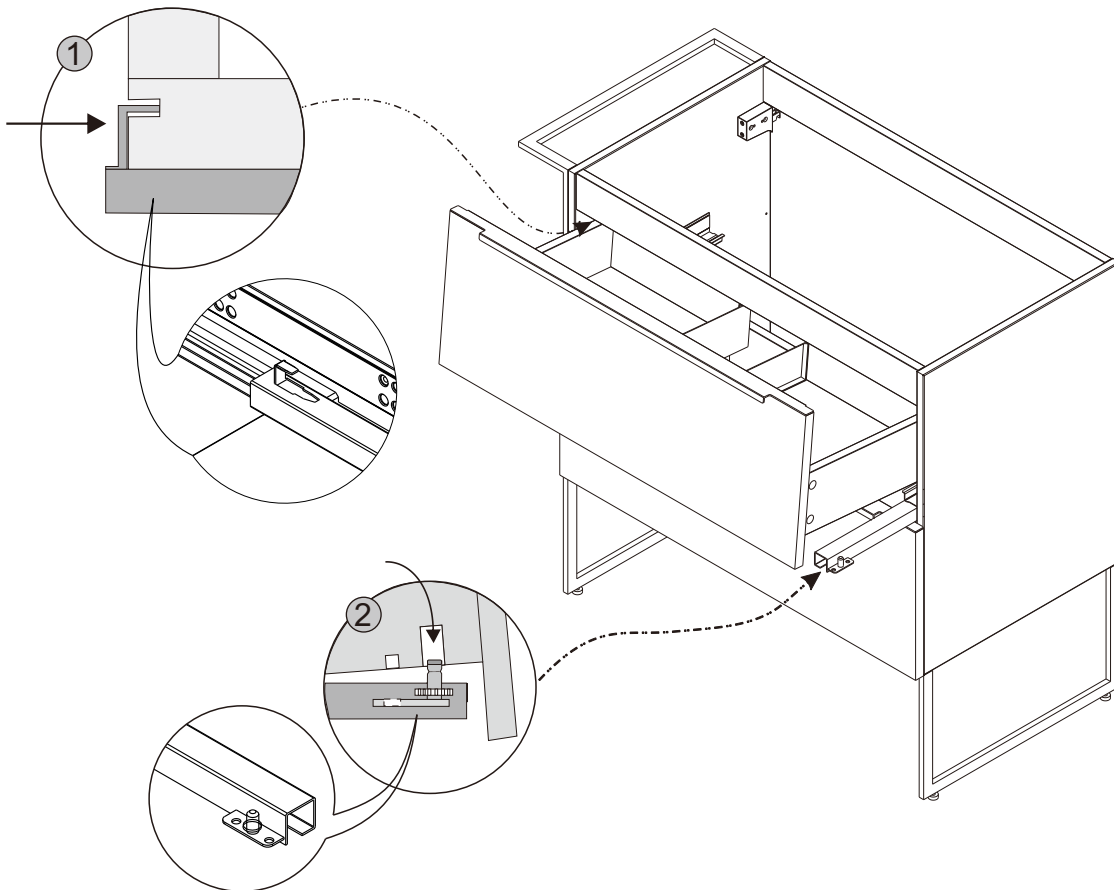
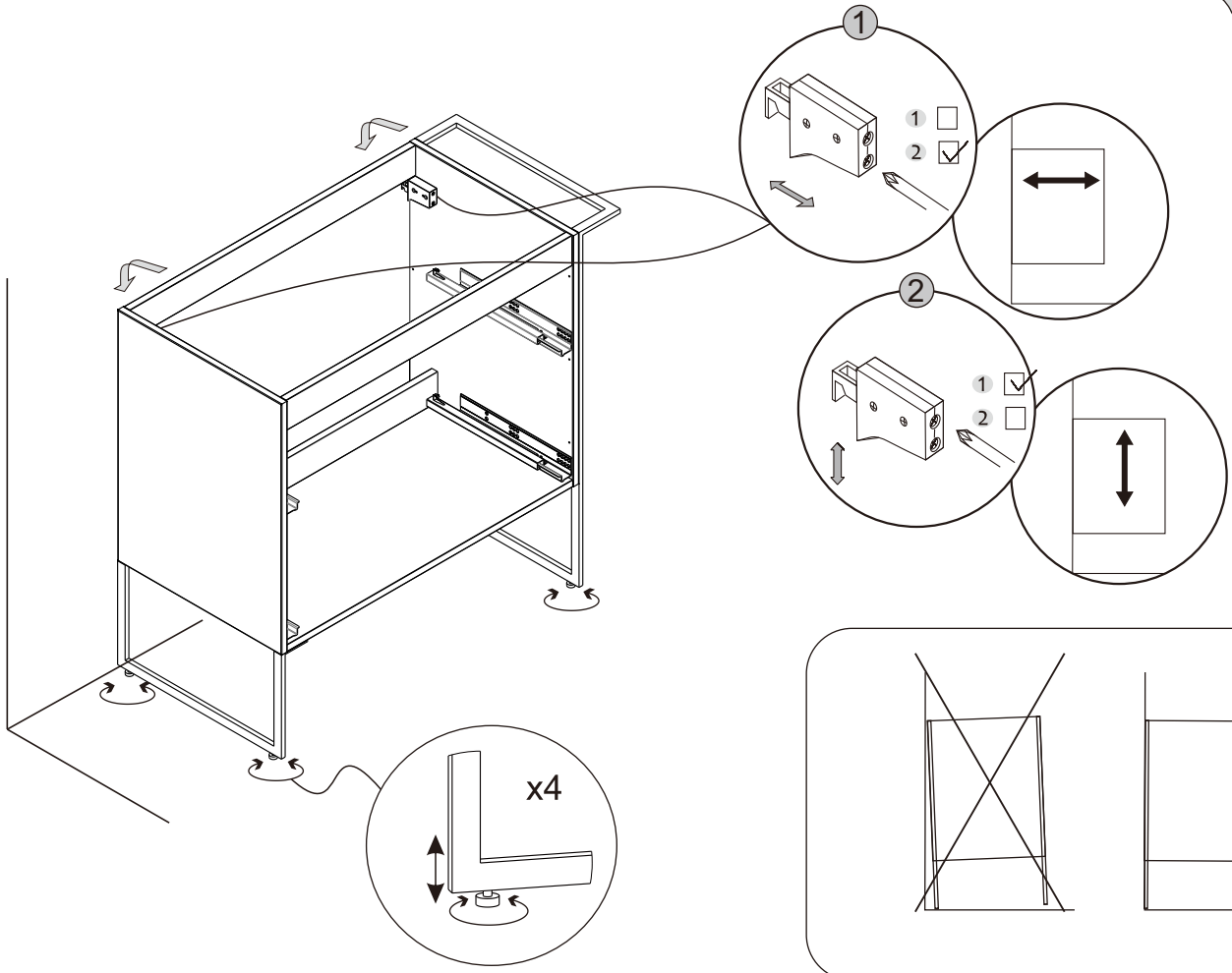
K

ST5*40mm



x 4 pcs





G ST4*25mm

 x 4 pcs

