

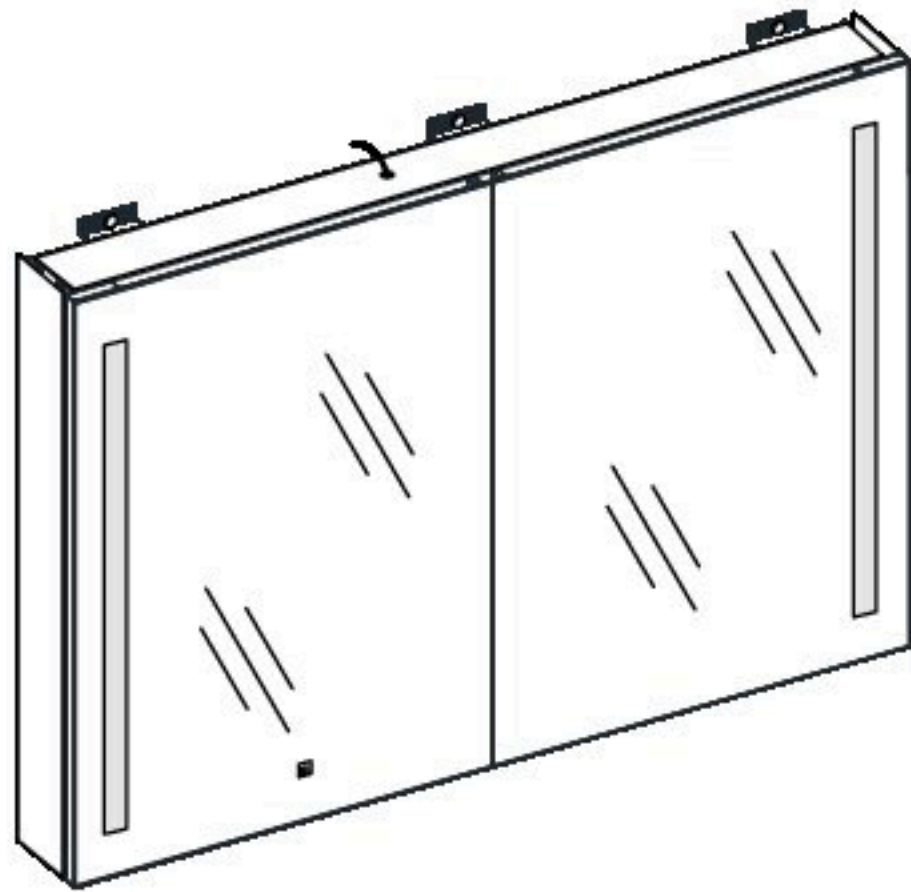
Tenerife

bathroom cabinet with mirror and LED lights

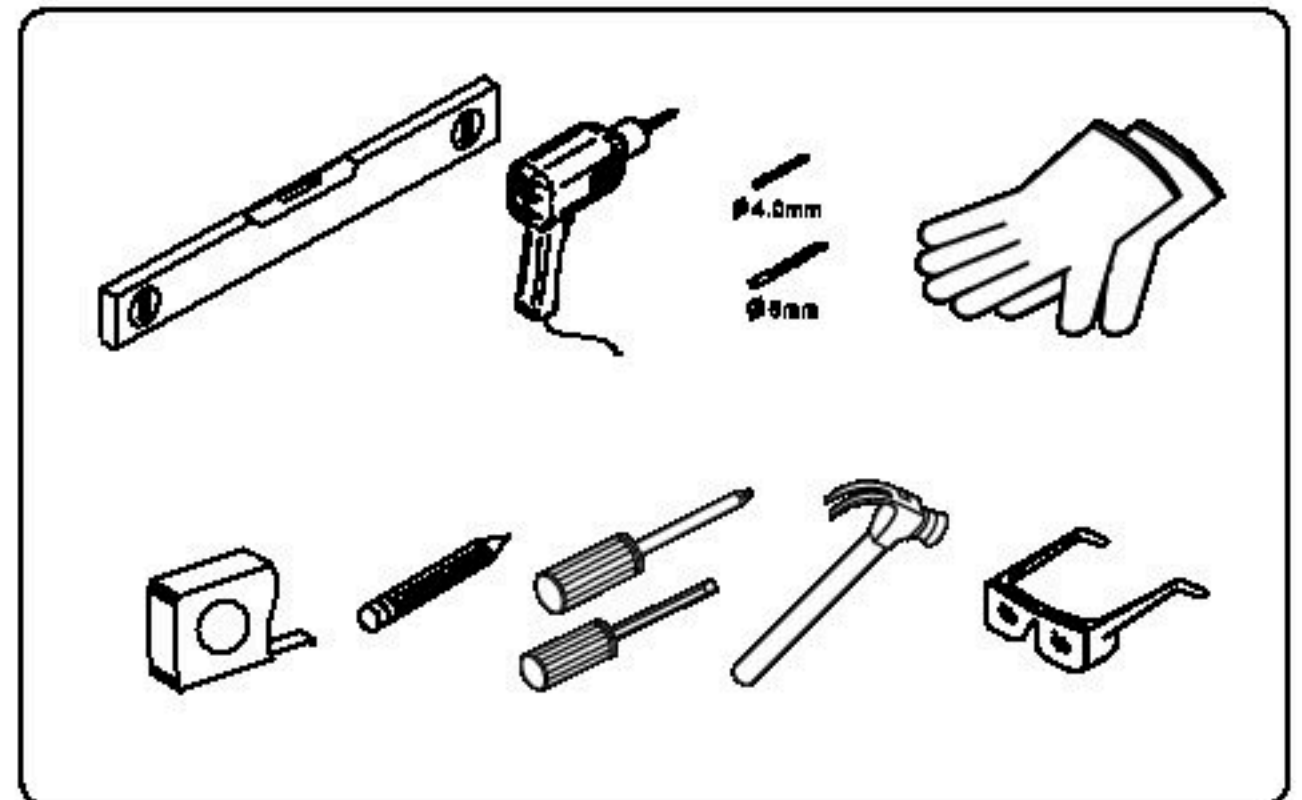
Wellis®

WB00325

● Mirror diagram



● Tools required



● Before Installation

- Please read this instruction carefully, in order to familiar with the required tools, materials and installation procedures. Please comply with the applicable sections to install product, to avoid unnecessary loss, in addition to relevant correct installation method, please also read all operating and safety instructions.
- All informations provided by the guidelines are based on the latest situation of product, we reserves the right to change the product characteristics, packaging or supply situation, without prior notice.
- The guidelines are including maintenance, clean informations.
- Please read these instructions carefully before installation.
- Installation should be carried out by a qualified electrician.
- ENSURE THAT CONNECTIONS ARE TURNED OFF AT THE CONSUMER UNIT OR FUSE BOARD BEFORE INSTALLING OR CARRYING OUT ANY MAINTENANCE.
- THIS PRODUCT IS FOR IN DOOR USE ONLY.

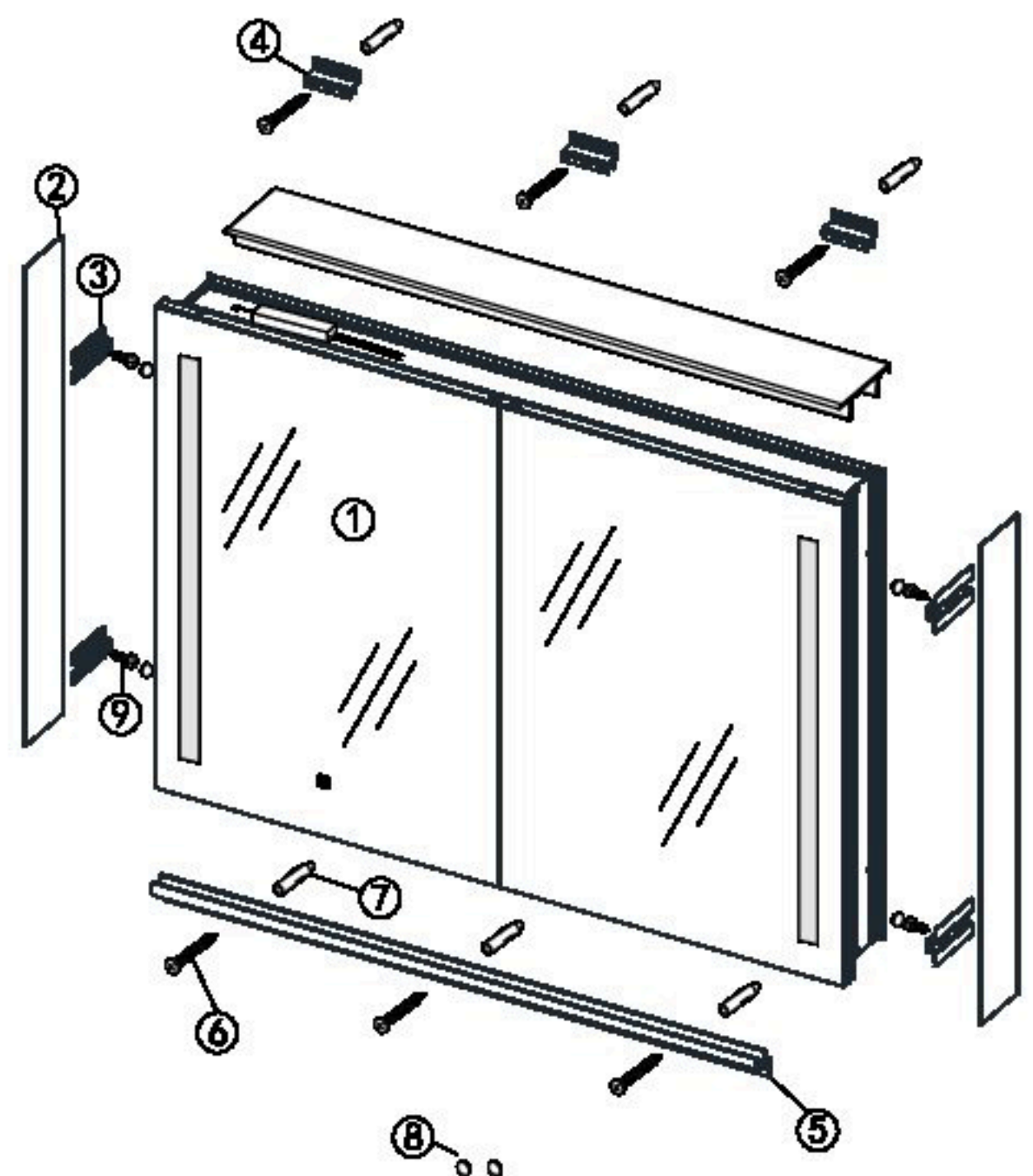
 **WARNING:** There may be hidden danger to people or product during installing. In order to avoid clamping hands, please pay attention to the open and closed door position.

 **WARNING:** Do not use any acidic or alkaline cleanser, alcohol on it. Please clean with wet soft cloth.

 **WARNING:** Keep away from water and electricity when hanging on wall.

 **WARNING:** For the fragile products, it should be installed by professional person with protective equipment.

● Material Statement



- | | | |
|------------------------|------------------------|-----------------------|
| [1] Mirror cabinet 1pc | [2] Side panel 2pcs | [3] Holder 4pcs |
| [4] Upper bracket 3pcs | [5] Bottom bracket 1pc | [6] ST4*35 screw 6pcs |
| [7] Wall plus 6pcs | [8] Screw cap 6pcs | [9] ST4*8 screw 4pcs |
| [10] Cover plate 1pc | | |