

DINING CHAIR



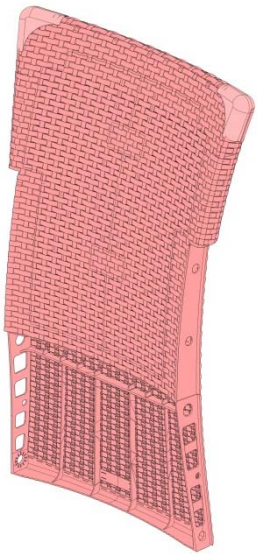
"DINING CHAIR" V9.0 / 568222 / 442084

ALLIBERT 

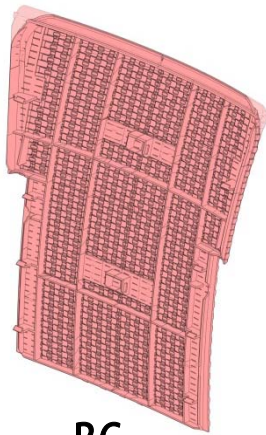
Ericssonstraat 17 | 5121 MK Rijen | The Netherlands | WWW.ALLIBERT-OUTDOOR.COM



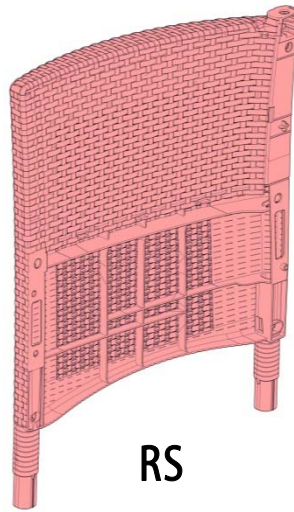
NEN 581



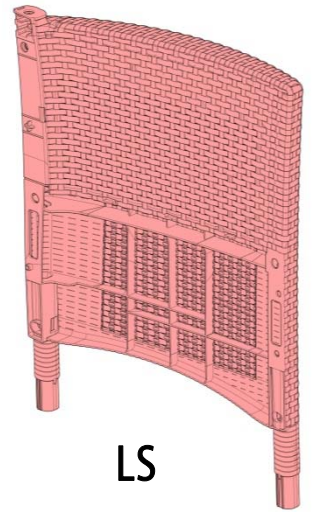
B



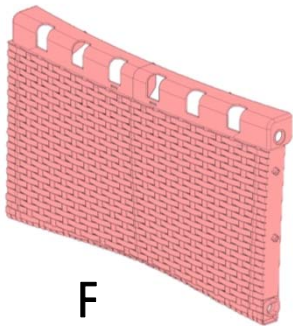
BC



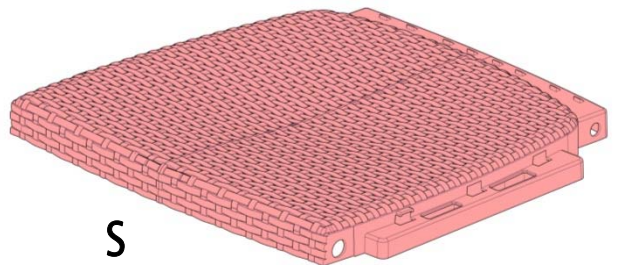
RS



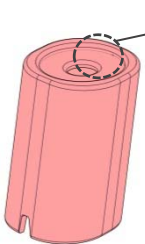
LS



F



S



A (1x)



C (1x)



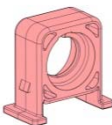
X (6x)
+ Extra



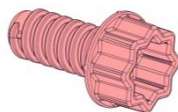
B (1x)



D (1x)



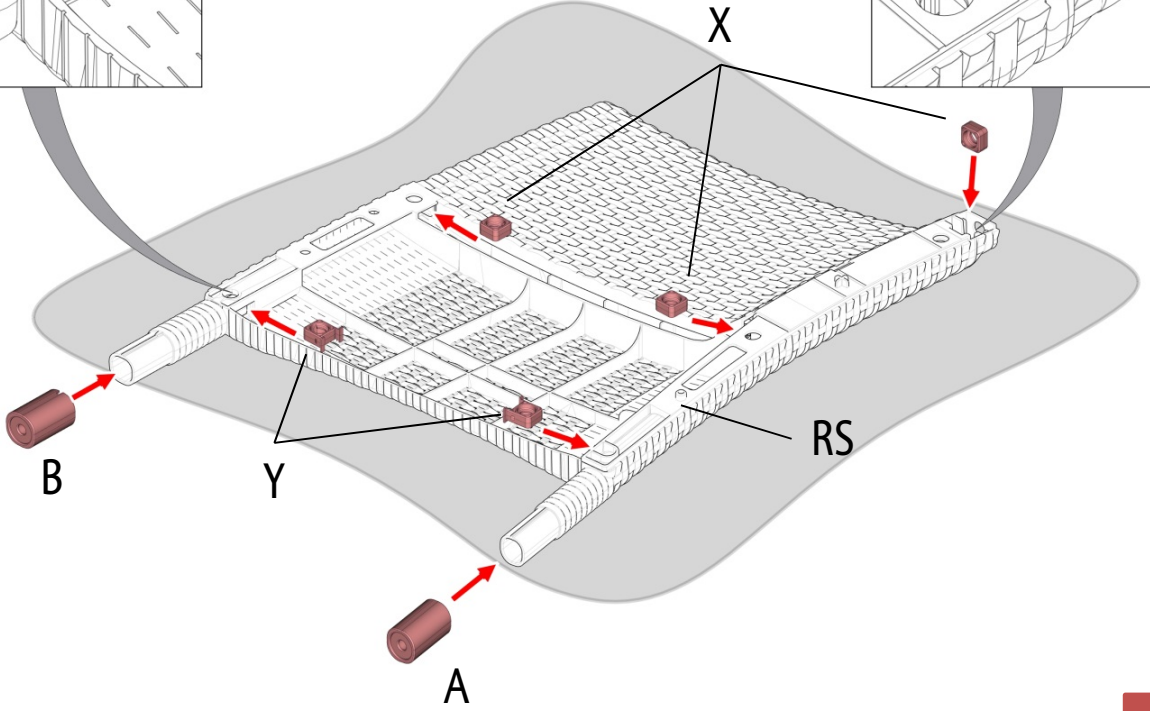
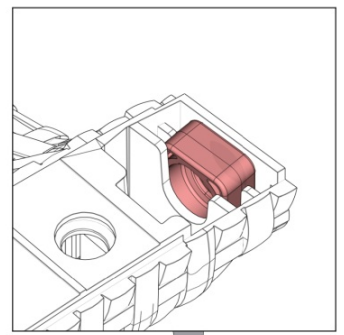
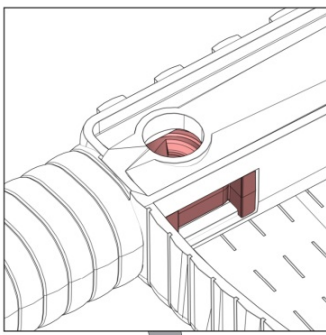
Y (4x)
+ Extra



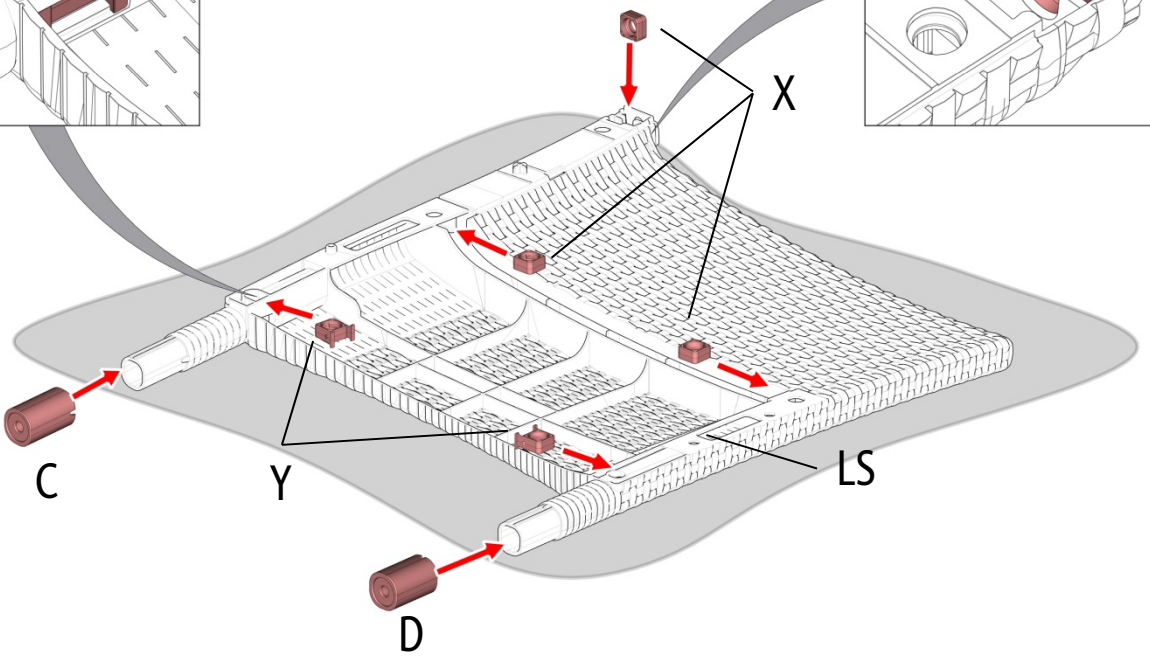
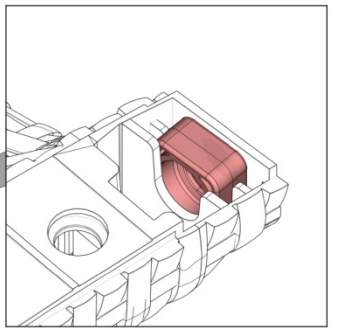
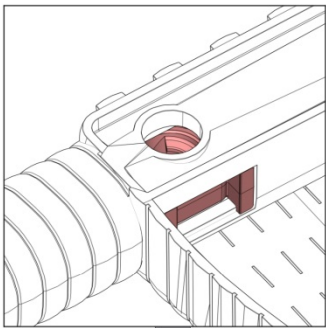
Z (12x)
+ Extra



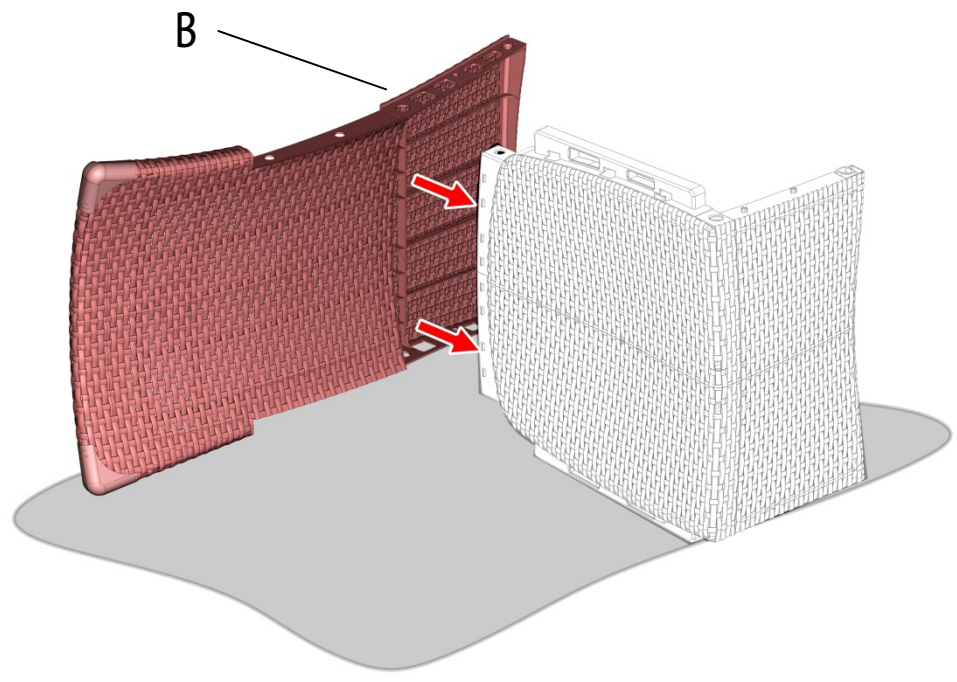
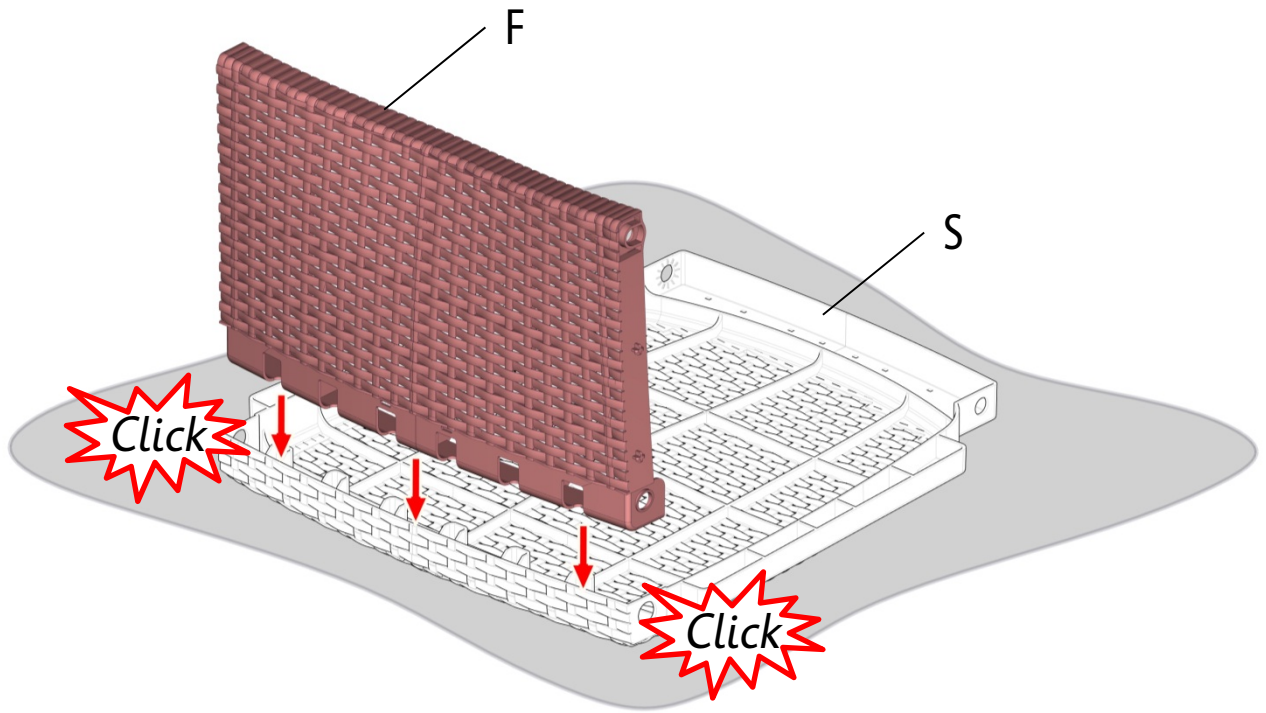
W (1x)

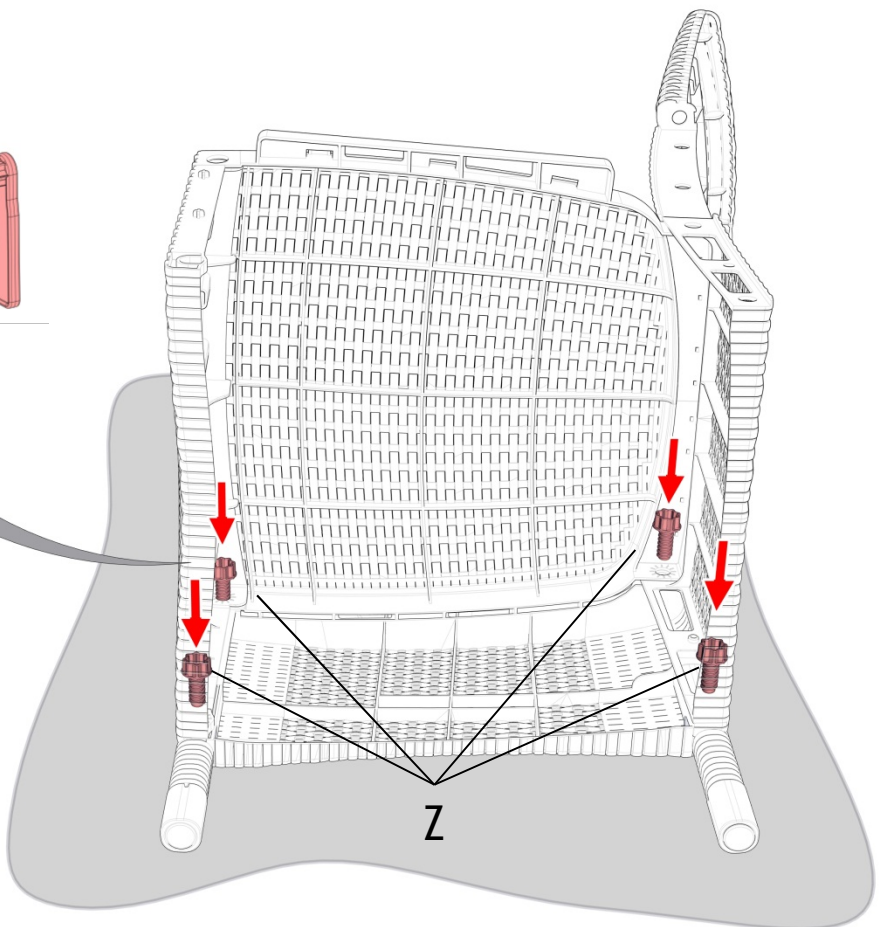
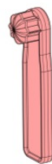
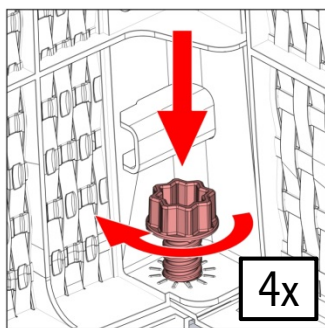
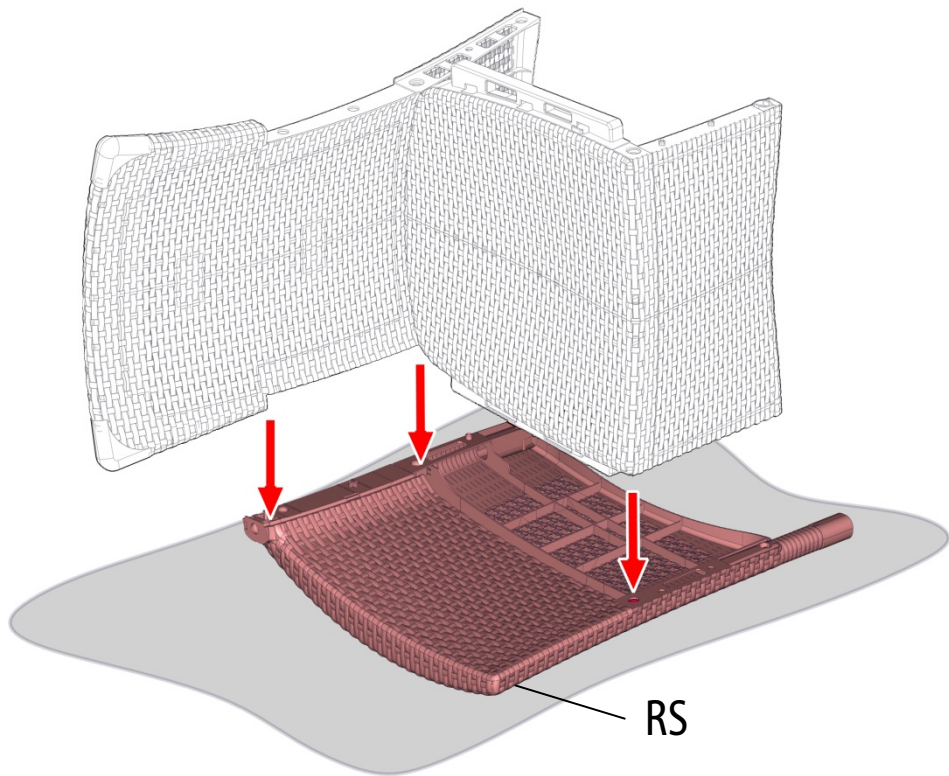


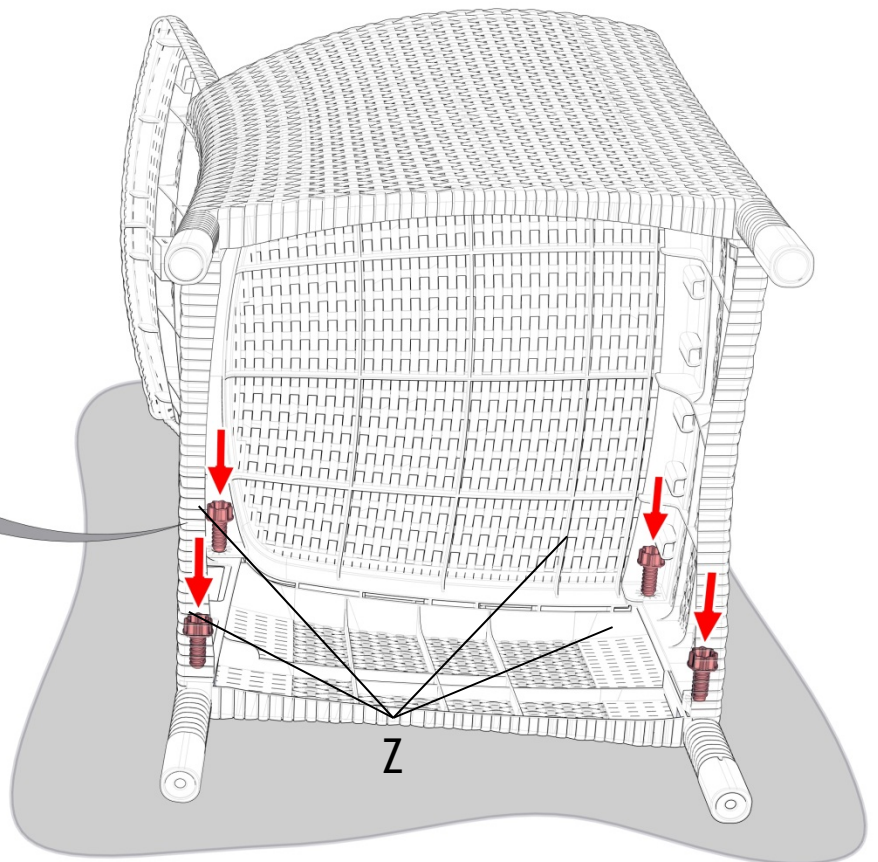
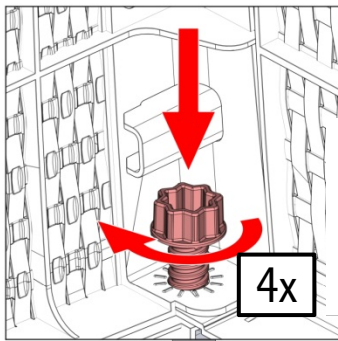
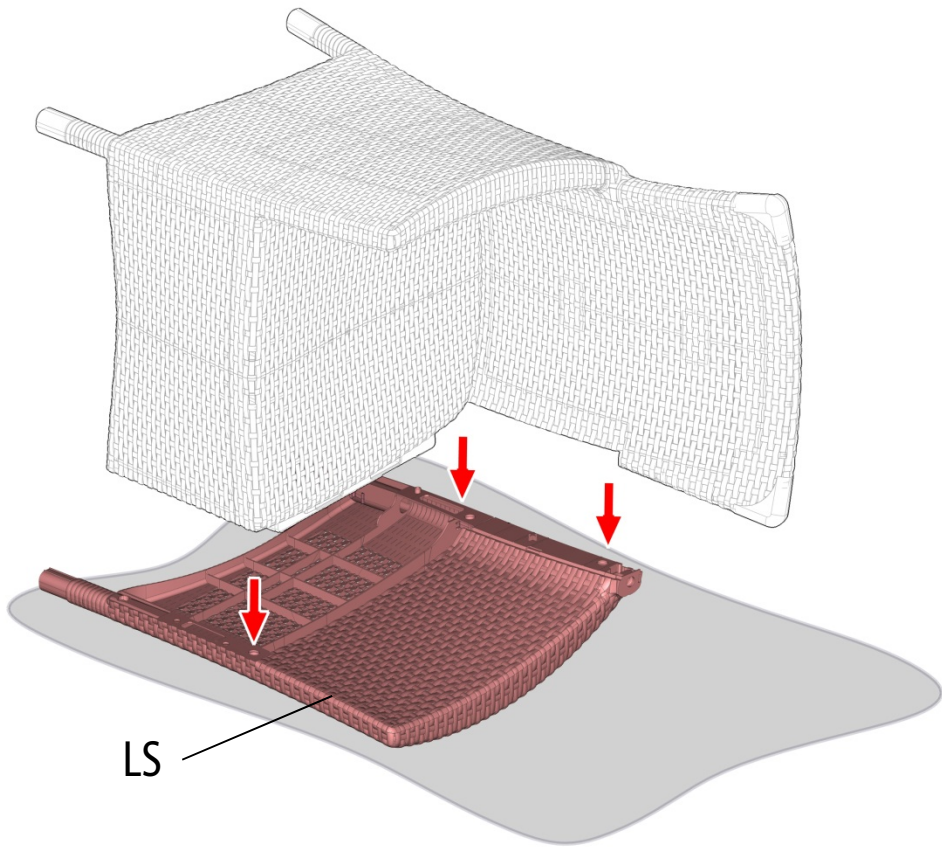
1

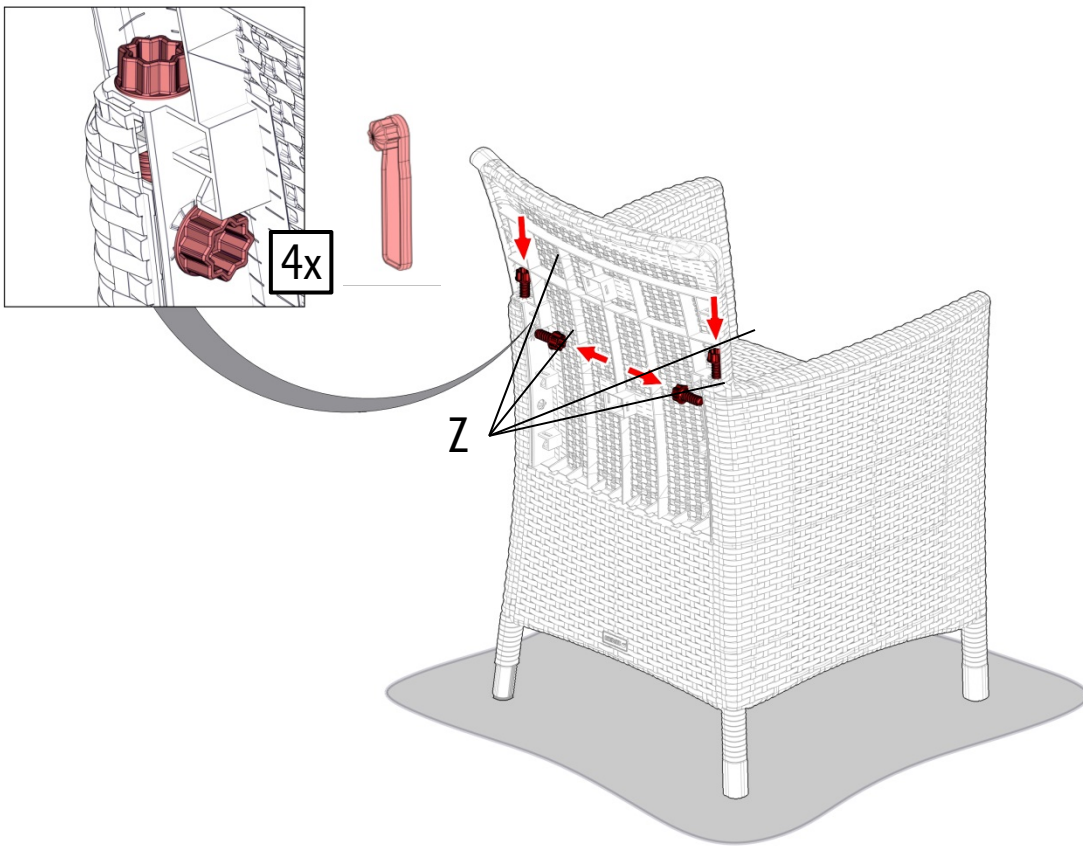


2

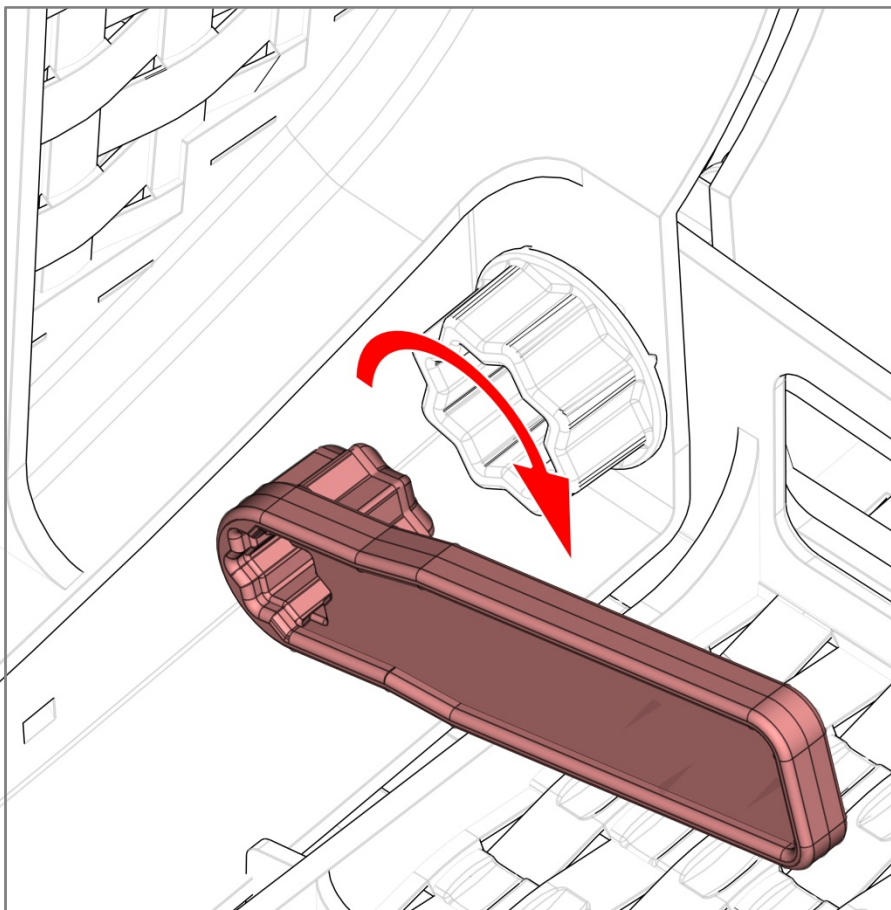








9



!

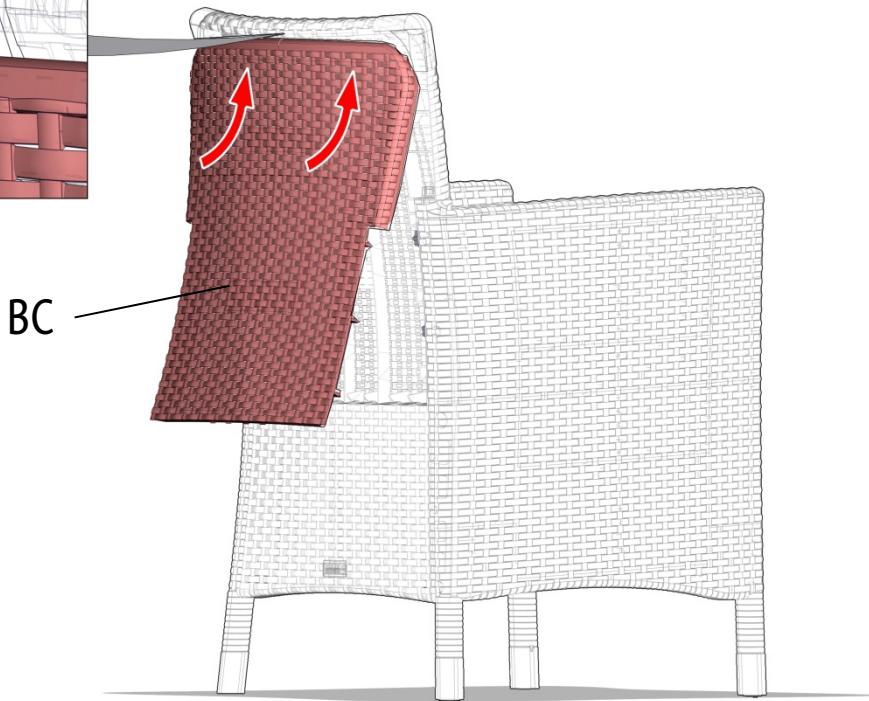
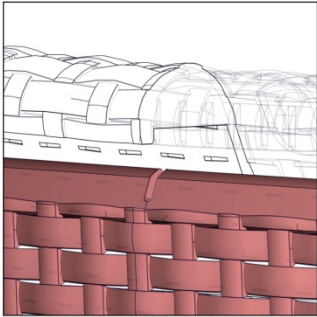
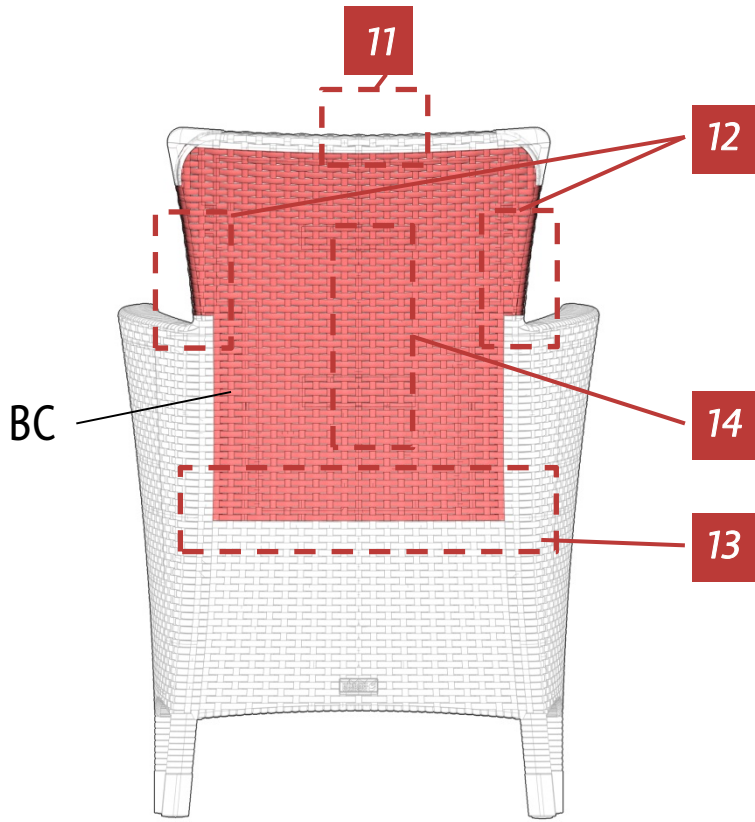
CHECK

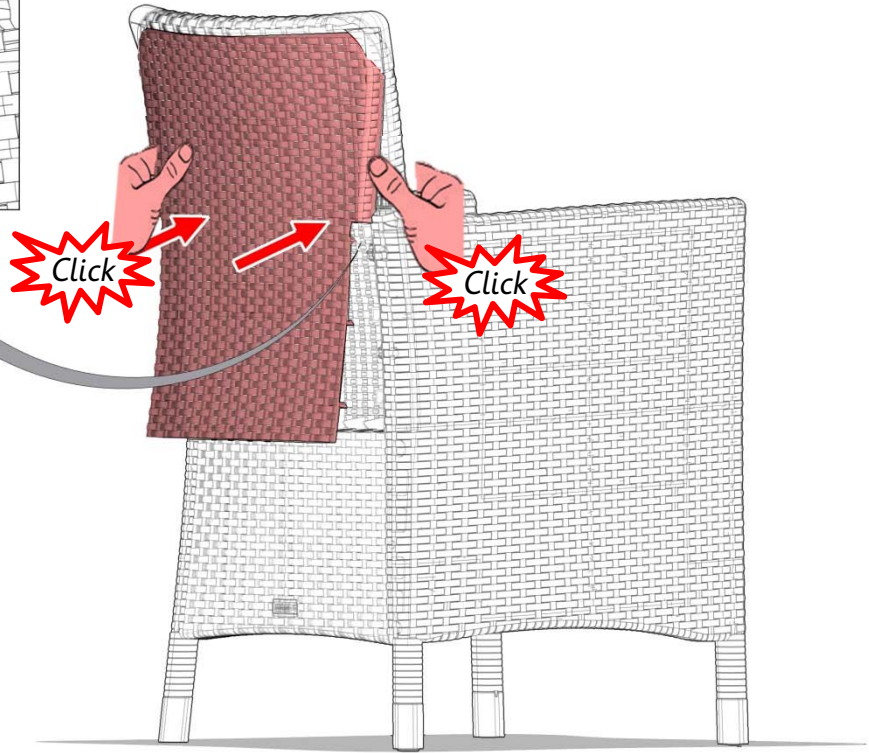
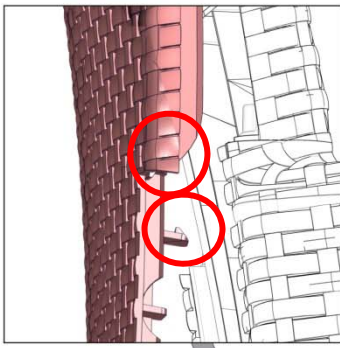
12x

10

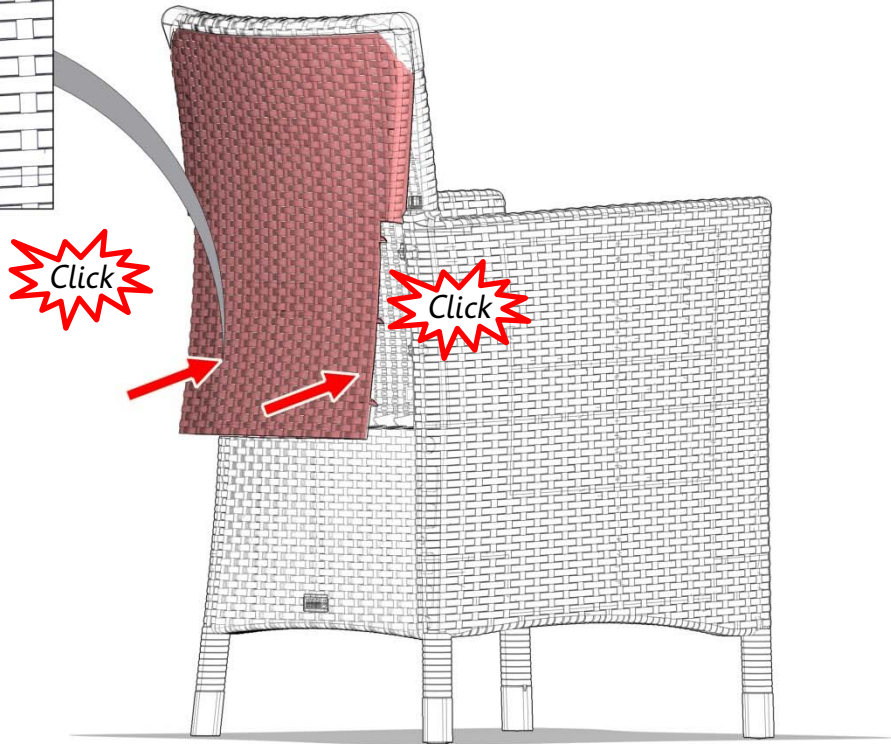
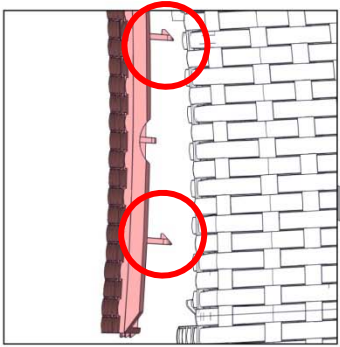


11 — 14





12



13

